

EG 90-GMFP/PC GN

Order No.: 2764962

Illustration shows a fully mounted version of the electronic housing

<http://eshop.phoenixcontact.de/phoenix/treeViewClick.do?UID=2764962>

Housing base, with metal foot catch and test opening with side cover

Commercial data

GTIN (EAN)	4017918132002
Note	Made-to-order
sales group	F020
Pack	10 pcs.
Customs tariff	85369010
Weight/Piece	0.10469 KG
Catalog page information	Page 571 (CC-2009)

Product notes

WEEE/RoHS-compliant since:
09/13/2005

<http://www.download.phoenixcontact.com>
Please note that the data given here has been taken from the online catalog. For comprehensive information and data, please refer to the user documentation. The General Terms and Conditions of Use apply to Internet downloads.

Technical data

General

Housing type	Component housing
Housing material	polycarbonate
Color	green

Dimensions / positions

Length	75 mm
--------	-------

Width	90 mm
Number of positions	34

Technical data

Ambient temperature (operation)	-40 °C ... 125 °C
Inflammability class acc. to UL 94	V0
Power dissipation at 20°C in the horizontal mounting position	6 W 9.1 W

Accessories

Item	Designation	Description
Assembly		
1909362	FKCT 2,5/17-ST	Plug component, Nominal current: 12 A, Rated voltage (III/2): 320 V, Pitch: 5 mm, Color: green, Metal surface: Sn

General

1902262	FKCT 2,5/17-ST-5,08	Plug component, Nominal current: 12 A, Rated voltage (III/2): 320 V, Pitch: 5.08 mm, Color: green, Metal surface: Sn
1721045	MKKDSH 3/ 2	PC terminal block, Nominal current: 24 A, Nom. voltage: 250 V, Pitch: 5 mm, Number of positions: 2, Type of connection: Screw connection, Assembly: Soldering, Conductor/PCB connection direction: 0 °, Color: green, The article can be aligned to create different nos. of positions!
1721346	MKKDSH 3/ 3	PC terminal block, Nominal current: 24 A, Nom. voltage: 250 V, Pitch: 5 mm, Number of positions: 3, Type of connection: Screw connection, Assembly: Soldering, Conductor/PCB connection direction: 0 °, Color: green, The article can be aligned to create different nos. of positions!
1703283	MKKDSH 3/ 8	PC terminal block, Nominal current: 24 A, Nom. voltage: 250 V, Pitch: 5 mm, Number of positions: 8, Type of connection: Screw connection, Conductor/PCB connection direction: 0 °, Color: green, The article can be aligned to create different nos. of positions!
1792595	MVSTBW 2,5/ 9-ST	Plug component, Nominal current: 12 A, Rated voltage (III/2): 320 V, Pitch: 5 mm, Color: green, Metal surface: Sn
1792676	MVSTBW 2,5/17-ST	Plug component, Nominal current: 12 A, Rated voltage (III/2): 320 V, Pitch: 5 mm, Color: green, Metal surface: Sn

Plug/Adapter

1734634	CP-MSTB	Keying profile, is inserted into the slot on the plug or inverted header, red insulating material
1734634	CP-MSTB	Keying profile, is inserted into the slot on the plug or inverted header, red insulating material

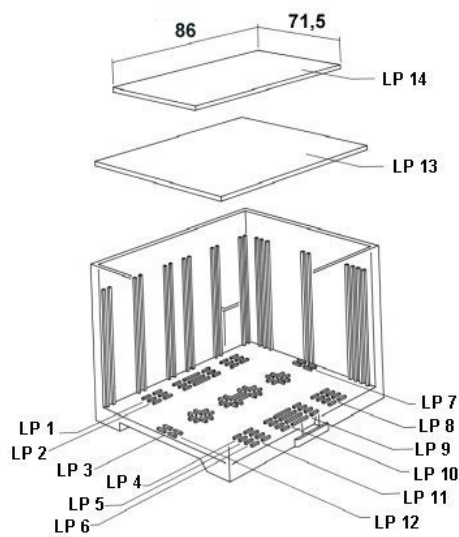
1734401	CR-MSTB	Coding section, inserted into the recess in the header or the inverted plug, red insulating material
1734401	CR-MSTB	Coding section, inserted into the recess in the header or the inverted plug, red insulating material
1784309	MVSTBW 2,5/ 8-STEHL	Plug component, Nominal current: 12 A, Rated voltage (III/2): 320 V, Pitch: 5 mm, Color: green, Metal surface: Sn
1763401	MVSTBW 2,5/ 9-STEHL	Plug component, Nominal current: 12 A, Rated voltage (III/2): 320 V, Pitch: 5 mm, Color: green, Metal surface: Sn

Additional products

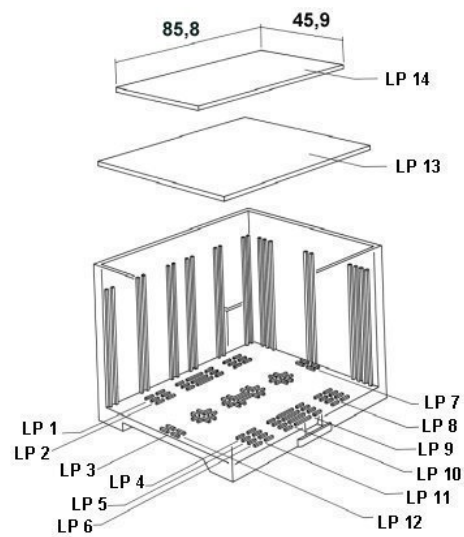
Item	Designation	Description
General		
2764988	EG 90-A/PC GN	Housing cover, for connection on both sides
2764975	EG 90-AE/PC GN	Housing cover, for connection on one side
2764991	EG 90-AG/PC GN	Housing cover, closed

Diagrams/Drawings

Explosion drawing

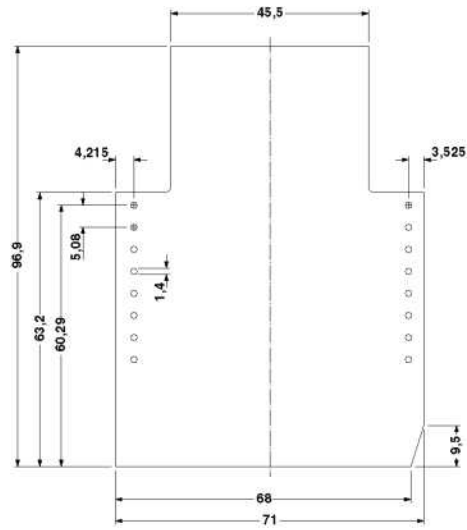
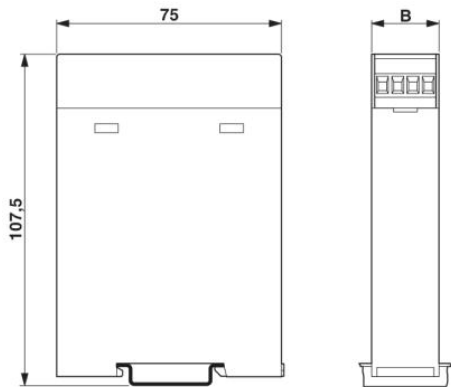


valid for PCB 13

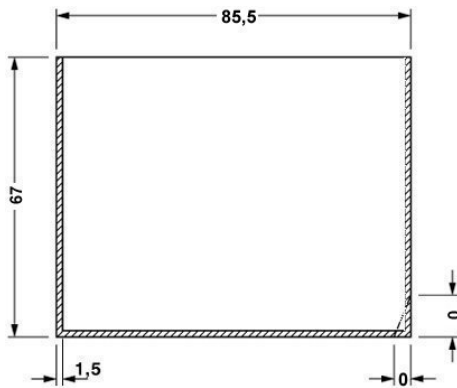


valid for PCB 14

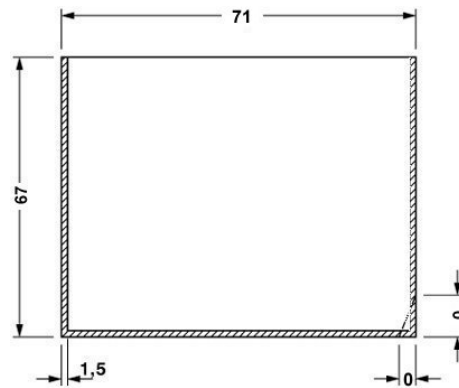
Dimensioned drawing



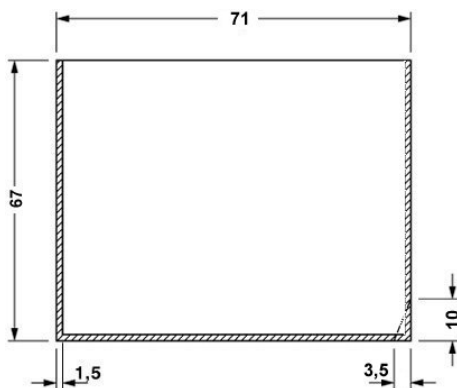
Component mounting side, if the double-level upper part is used



valid for PCB 1; 2; 3; 4; 5 und 6, see explosion drawing



valid for PCB 7; 8; 11 and 12, see explosion drawing



valid for PCB 9 and 10, see explosion drawing

Address

PHOENIX CONTACT Inc., USA
586 Fulling Mill Road
Middletown, PA 17057, USA
Phone (800) 888-7388
Fax (717) 944-1625
<http://www.phoenixcon.com>



© 2010 Phoenix Contact
Technical modifications reserved;