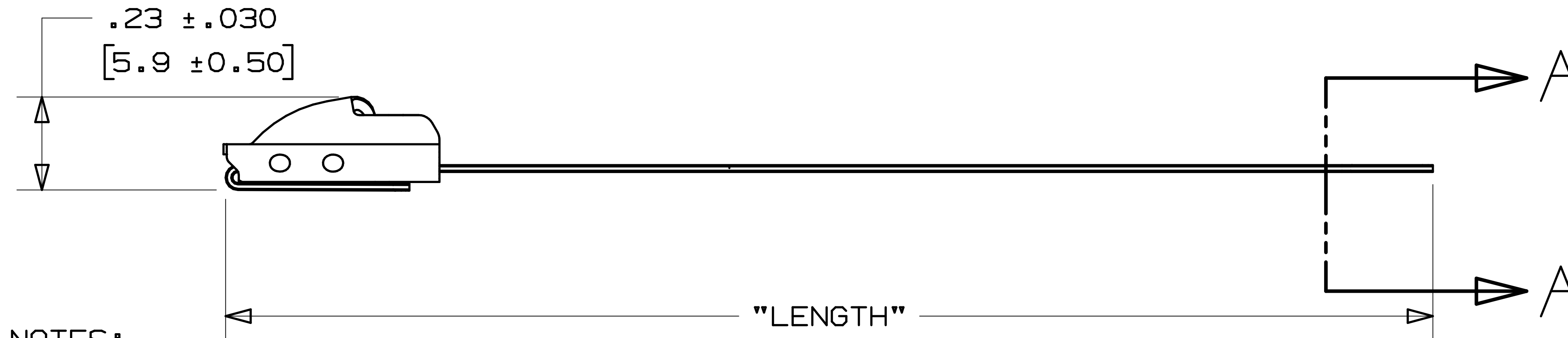
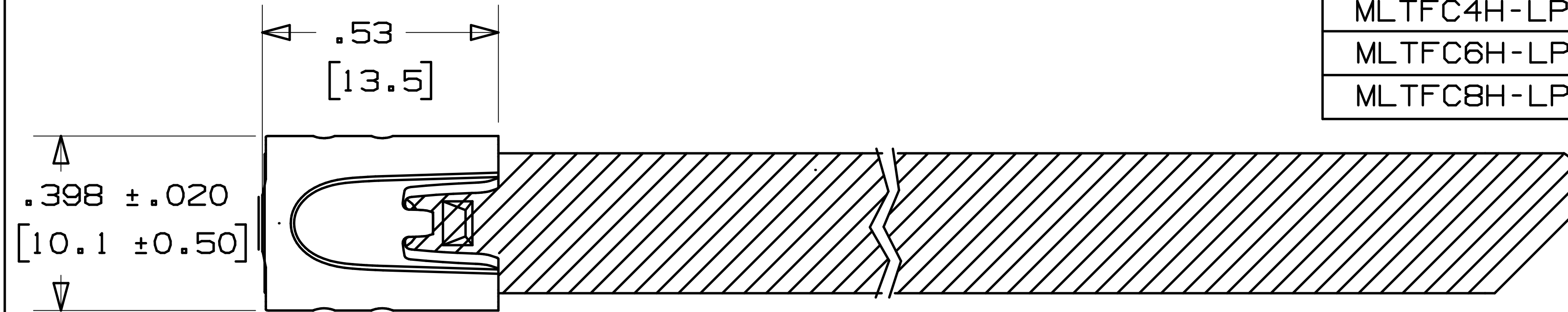


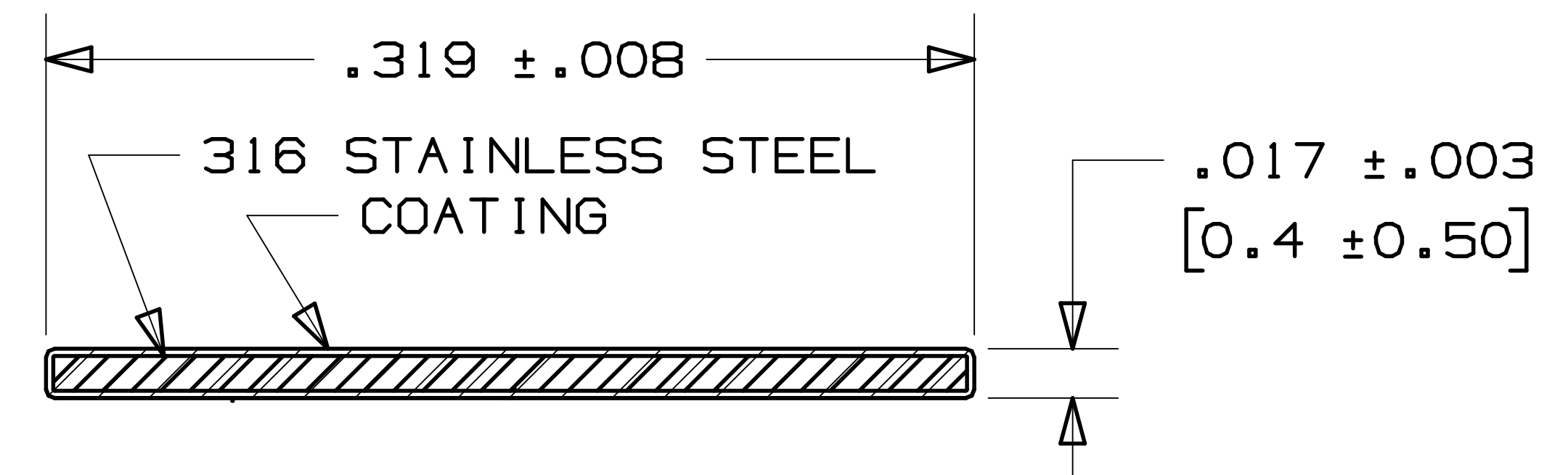
THIS COPY IS PROVIDED ON A RESTRICTED BASIS AND IS NOT TO BE USED IN ANY WAY DETRIMENTAL TO THE INTERESTS OF PANDUIT CORP.

PANDUIT PART NO.	PACKAGE QTY.	MAX BUNDLE DIA	"LENGTH" ±.3 [7]
MLTFC2H-LP316	50	2" [51]	7.9"[201]
Ⓐ MLTFC2.7H-LP316	50	2.7" [69]	10.15"[258]
MLTFC4H-LP316	50	4" [102]	14.3"[362]
MLTFC6H-LP316	50	6" [152]	20.5"[521]
MLTFC8H-LP316	50	8" [203]	26.8"[679]



NOTES:

- 1.) APPLICATION TOOLS - GS4MT, PPTMT, ST2MT, HTMT OR ST3MT
- 2.) MINIMUM LOOP TENSILE STRENGTH - 250 LBS. (1112 NEWTONS) WHEN TESTED ON A 1.5" MANDREL.
- 3.) [] DENOTES DIMENSION IN MILLIMETERS
- 4.) TOLERANCES:
 .XXX = ±.010 [.25]
 .XX = ±.02 [.5]
 .X = ±.03 [.8]
 ANGLES = ±2°
- 5.) MATERIAL: 316 STAINLESS STEEL
- 6.) COATING - POLYESTER
 COATING THICKNESS: .002 MIN./ .005 MAX. PER SIDE



SECTION A - A
SCALE: 10x

S41193_02

				PANDUIT CORP. TINLEY PARK, ILLINOIS			
02	11/05	JMMR	EJD	Ⓐ ADDED MLTFC2.7H-LP316 TO TABLE	SS00112	---	
01	3/05	JAMB	PAB	DRAWING REVISED TO REFLECT CURRENT COATED HEAVY SERIES PRODUCT	12501	CCH JJB	
00	11/04	JAMB	PAB	RELEASED	12169	CCH JJB	
REV	DATE	BY	CHK	DESCRIPTION	ECN #	PM CUST	
				DRAWN BY JAMB	CHK'D PAB	SCALE 2x	DRAWING NO. S41193