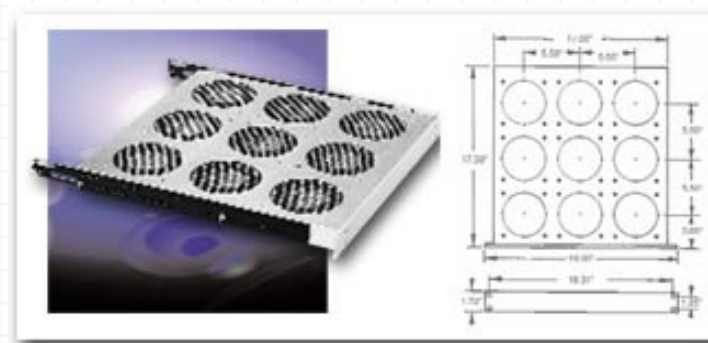


Accessories - Fan Tray

## Wire Form Finger Guard FG-1281

[Click on Image for Larger View](#)

### Design Features

Includes 9-position fan tray with preassembled front panel; a 9-outlet daisy chain cord and 6-foot power cord and adjustable support angles. Material; Fan Tray and Support Angles; 16-gauge steel; Front panel, 12-gauge steel. Finish: Fan Tray, Front Panel, White Texture (WH) or Metallic Gray (MG). Weight 11 lbs. Use with Bud Fans FN-1280.

## FN-1280 Fans

Fans are ordered separately and can be mounted in any pattern to suit individual cooling requirements. Each fan is supplied with one hardware cloth finger guard.

### Design Features: (Fans)

- 110VAC, .21 Amps.
- 105 CFM air flow.
- -20 to +60 degree Celsius temperature range.
- UL Approved.
- **Weight:** 1.75 lbs

### Optional Wire Form Finger Guard (FG-1281) Available

**DXF** Autocad DXF Specifications File  
(Requires CAD software such as AutoCAD)

**PDF** Adobe PDF Specifications File



[Download PDF Viewer](#)

[Home](#) | [Company Info](#) | [Online Catalog](#) | [Check Stock](#) | [Distributor/Price](#)

[Reps](#) | [New](#) | [Search](#) | [Contact](#) | [Privacy Policy](#)

## **BUD INDUSTRIES INC.**

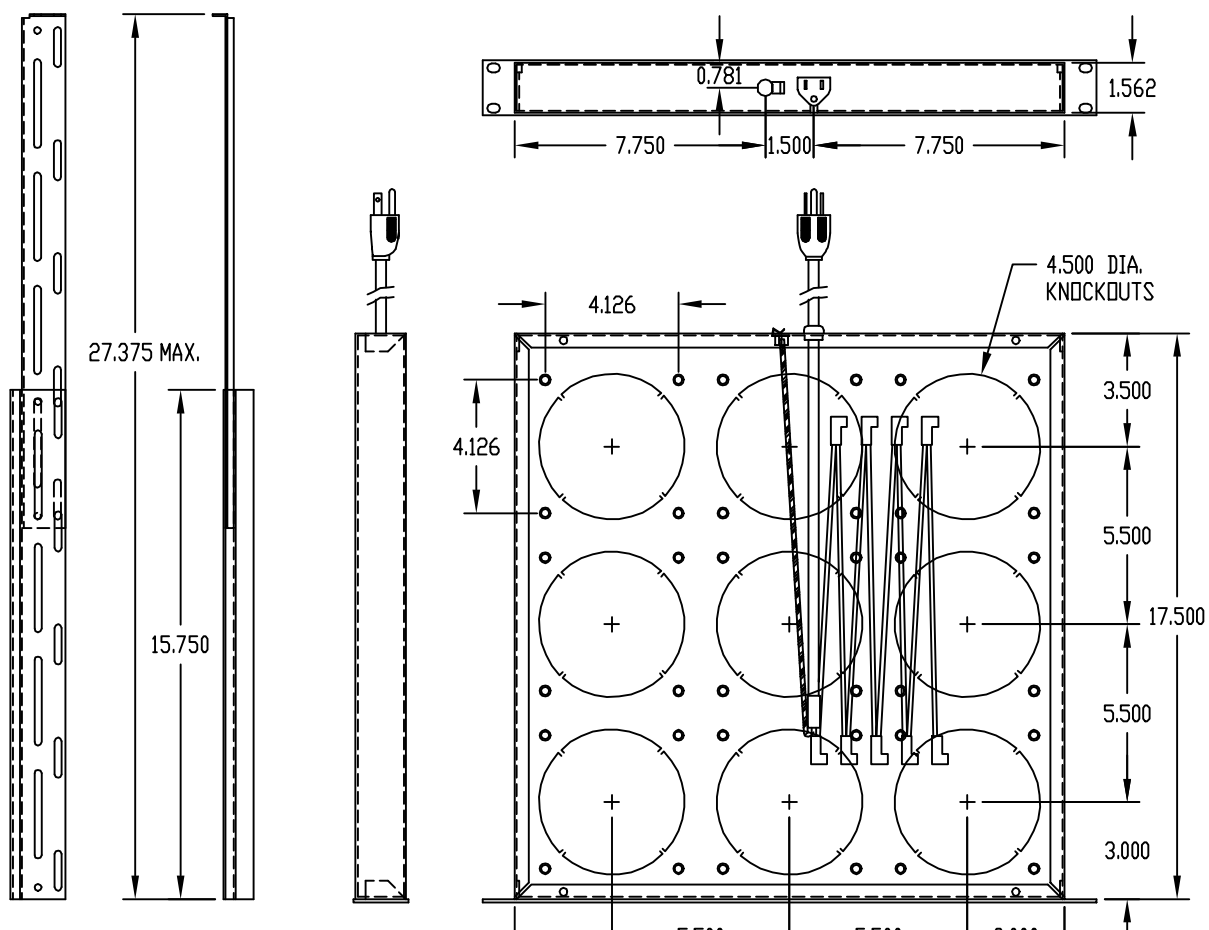
P.O. Box 998

Willoughby, Ohio 44094

Phone: 440-946-3200 Fax: 440-951-4015

E-Mail: [saleseast@budind.com](mailto:saleseast@budind.com)

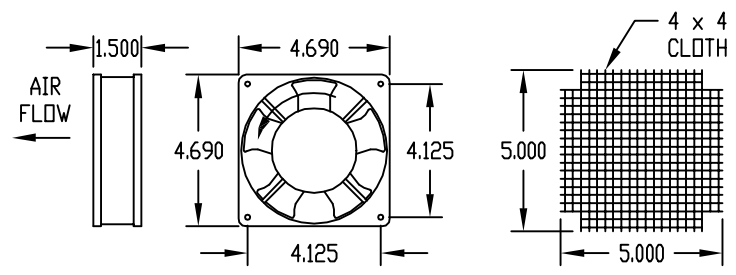
<b>PART NAME</b> FAN TRAY ASSEMBLY	<b>PART No.</b> FT-1170
------------------------------------	-------------------------



**MATERIAL:**  
 FAN TRAY CHASSIS & SUPPORT ANGLES — 16 GA. STEEL  
 PANEL — 12 GA. STEEL

**FINISH:**  
 WHITE TEXTURED OR METALLIC GRAY  
 0.278 x 0.406 OBLONG

<b>PART NAME</b> FAN	<b>PART No.</b> FN-1280
----------------------	-------------------------



4 x 4 MESH 23 GA. HARDWARE CLOTH FINGER GUARD (SUPPLIED)

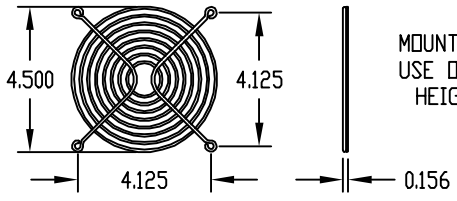
FAN HOUSING: ONE-PIECE ZINC DIE CASTING  
 FINISH: PLAIN OR BLACK  
 IMPELLER: THERMOPLASTIC (UL-94-V0)  
 MOUNTING HARDWARE SUPPLIED

POWER	CFM	WATTS	TEMP. RANGE
115 V.A.C.	105	19/17	-20°C. TO +60°C.

<b>PART NAME</b> WIRE FORM FINGER GUARD	<b>PART No.</b> FG-1281
---	-------------------------

**MATERIAL:**  
 RIBS — 0.091 DIA. STEEL WIRE  
 RINGS — 0.071 DIA. STEEL WIRE

**FINISH:** ZINC PLATED



MOUNTING HARDWARE SUPPLIED.  
 USE OR THIS ITEM INCREASES OVERALL HEIGHT OF FAN TRAY TO 1.875