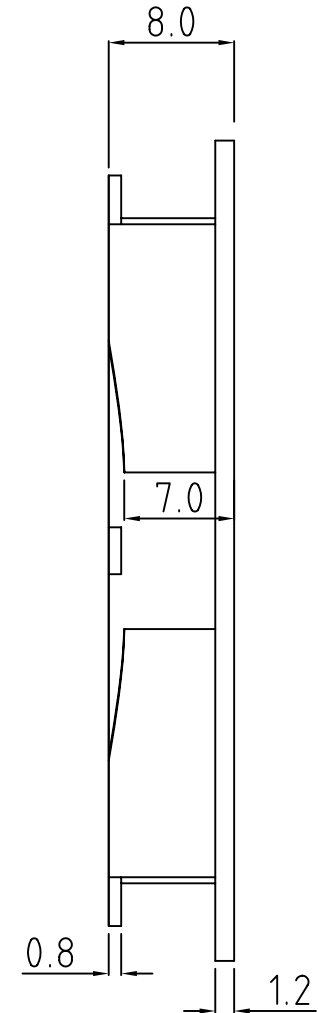
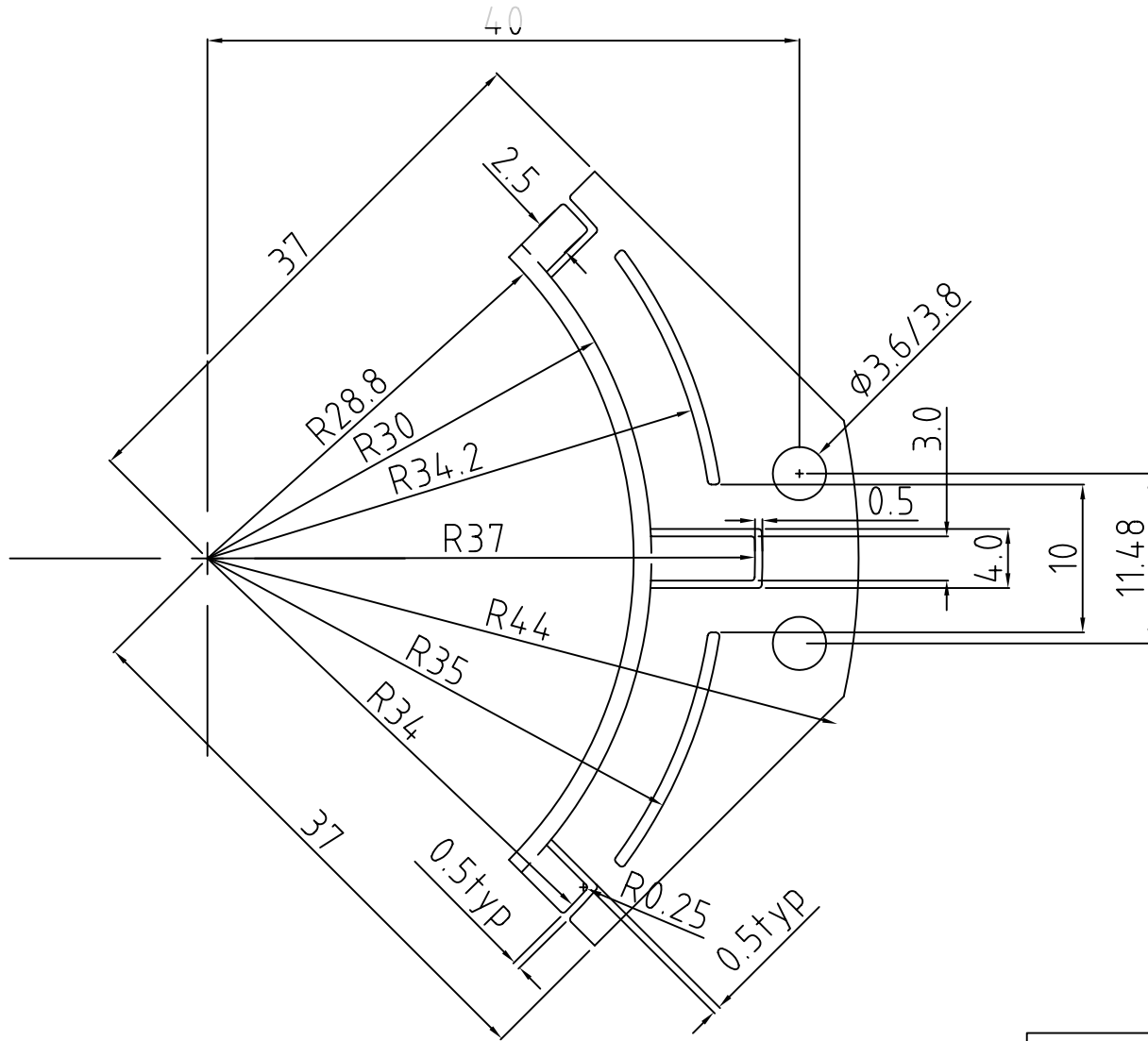


EFA04 34 P10 = EFA0434 010 (RMS-390) WITH ADHESIVE PAD (RMS-143)  
 EFA04 34 PR0 = EFA04 34 010 (RMS-390) WITH ADHESIVE PAD  
 (RMS-143) AND RICHCO RIVET (RMS-56)  
 EFA04 34 R10 = EFA04 34 010 (RMS-390) WITH RICHCO RIVET (RMS-56)

REV	DESCRIPTION	DATE	APPROVED
1	INITIAL ISSUE	290501	

RICHCO ADDED RMS NO. 04/08/09



NOTES:

MATERIAL	Sniamid C 50 H2
FINISH	Flash Free
ICE No:	

THIS DOCUMENT CONTAINS PROPRIETARY INFORMATION WHICH SHALL NOT BE REPRODUCED, TRANSFERRED TO OTHER DOCUMENTS, DISCLOSED TO OTHERS USED FOR MANUFACTURING OR ANY OTHER PURPOSE WITHOUT THE WRITTEN AUTHORISATION OF EUROPLUS FIBRE OPTICS LTD.

DESCRIPTION	Corner guide 8mm x 30mm rad
-------------	-----------------------------

ALL DIMS IN MM UNLESS STATED

GEN TOLS	0 = +/-0.5 0.0 = +/-0.3 0.00 = +/-0.1	EUROPLUS FIBRE OPTICS Europlus House, Thompson Drive, Anglia International Airpark, Rendlesham, Suffolk, IP12 2RQ. Tel: (01394) 445100 Fax: (01394) 445109
----------	---	--

DRAWN	CDD	DATE	290501	SIZE	FILE NAME	DWG. No	REV.
CHKD	CDD	DATE	290501		0434010	EFA04 34 010	1
DO NOT SCALE DRAWING				SCALE	3:1	SHEET 1 of 1	