

3rd ANG PROJECTION

EFA04 34 P03 = EFA04 34 003 (RMS-390) WITH ADHESIVE PAD

(RMS-143)

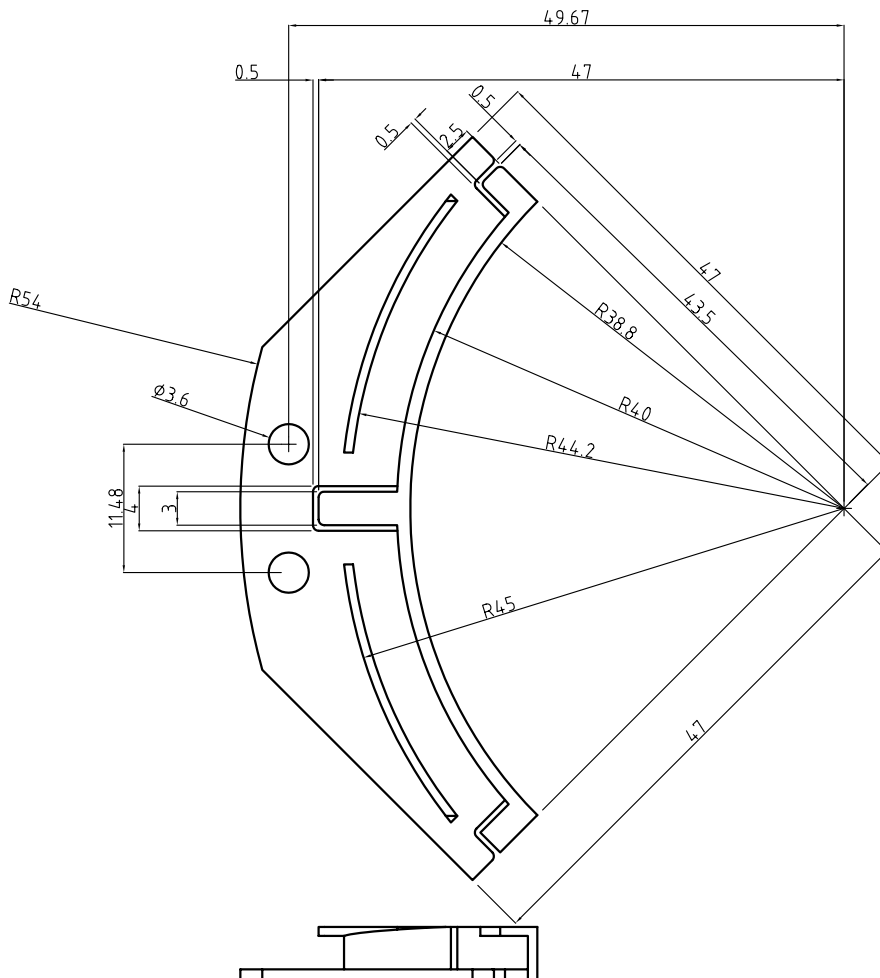
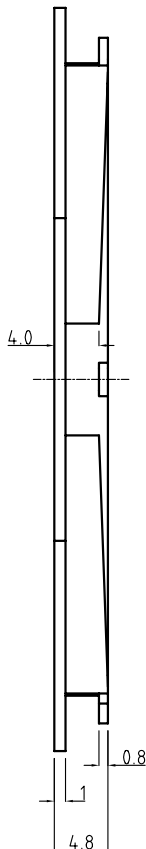
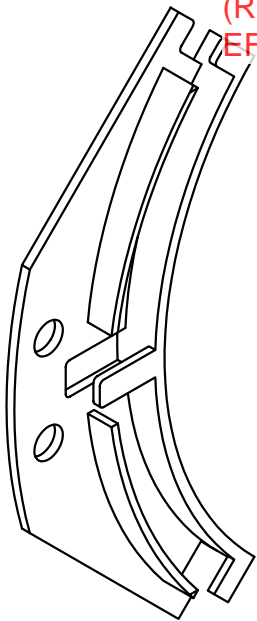
EFA04 34 PR3 = EFA04 34 003 (RMS-390) WITH ADHESIVE PAD

(RMS-143) AND RICHCO RIVET (RMS-56)

EFA04 34 R03 = EFA04 34 003 (RMS-390) WITH RICHCO RIVET (RMS-56)

REV	DESCRIPTION	DATE	APPROVED
1	INITIAL ISSUE	051000	CDD
2	MATL. SPEC. CHANGE	20/12/01	CN10
3	Chamfer on outer rib & 4.0 dim add	14/02/02	CN17

RICHCO ADDED RMS NO. 04/08/09



NOTES: F.R. NYLON 6 RADIFLAM SAE100 OR EQUIVLANT

ALL DIMS IN MM UNLESS STATED		GEN TOLS 0 = +/-0.5 0.0 = +/-0.3 0.00 = +/-0.1	EUROPLUS FIBRE OPTICS Europlus House, Thompson Drive, Anglia International Airpark, Rendlesham, Suffolk, IP12 2RQ. Tel: (01394) 445100 Fax: (01394) 445109
------------------------------	--	---	--

MATERIAL	SEE NOTES	THIS DOCUMENT CONTAINS PROPRIETARY INFORMATION WHICH SHALL NOT BE REPRODUCED, TRANSFERRED TO OTHER DOCUMENTS, DISCLOSED TO OTHERS USED FOR MANUFACTURING OR ANY OTHER PURPOSE WITHOUT THE WRITTEN AUTHORISATION OF EUROPLUS FIBRE OPTICS LTD.	DESCRIPTION 40mm rad corner guide	DRAWN	CDD	DATE	051000	SIZE	FILE NAME	DWG. No	REV.
FINISH	Flash Free			CHKD	CDD	DATE	051000	0434003	3d	EFA04 34 003	3

ICE No:	DO NOT SCALE DRAWING	SCALE	2:1	SHEET	1 of 1
---------	----------------------	-------	-----	-------	--------