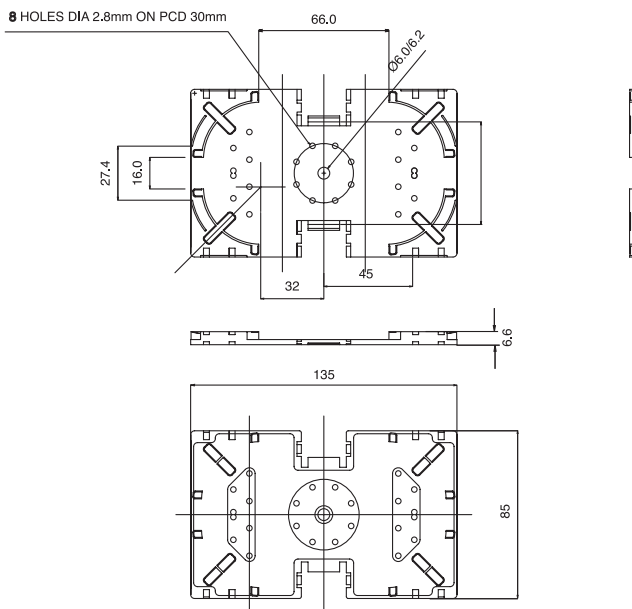


# FIBER MANAGEMENT

## EFA04 25 001 Array Tray

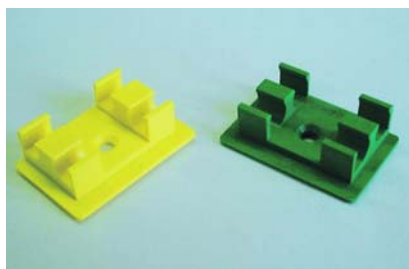


### Features

- Molded-in features maintain bend radius at 30mm
- Accepts Isolator Clips EFA03 61, 63 and 64 001 (shown below) for holding splicing components
- Accepts 16-way Fiber Clip EFA04 08 and 08 001 (page 187) broken into a 4-way segment for holding splicing components

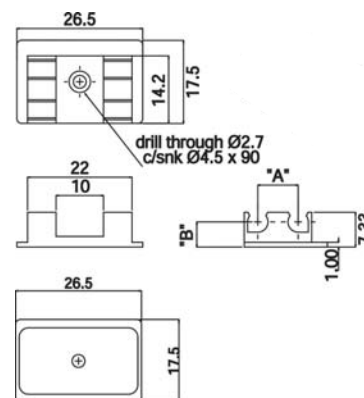
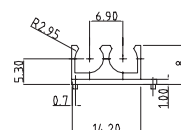
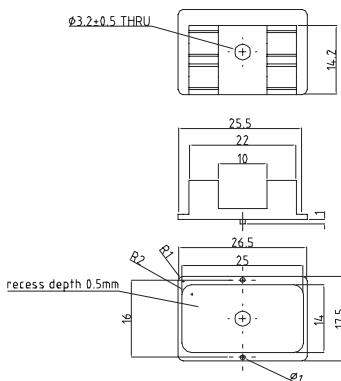
A Europlus/Richco Product	
<b>Material: Flame Retardant (UL94 V0) Nylon 6, RMS-178; Color: Black</b>	
<b>Standard Pack: 50 per bag</b>	
EFA04 25 001	
<b>Parts are available by special order only. 500 piece minimum.</b>	
All dimensions in millimeters	

## EFA04 6X Isolator Clips



### EFA04 61 001

### EFA04 63/64 001



### Features

- Designed to hold 6mm, 5.5mm or 4.5mm diameter components
- Designed for use in the Array Tray EFA04 25 001 (shown above)
- Can be screw or rivet mounted or mounted with self adhesive pads, please see Section C
- EFA04 61 001 has anti-rotation pins to securely mount when using screw or rivet

A Europlus/Richco Product				
<b>Material: Flame Retardant (UL94 V0) Nylon 6, RMS-178</b>				
<b>Standard Pack: 100 per bag</b>				
Part No.	Contents	Color	"A"	"B"
EFA04 61 001	6mm Isolator Clip	Red	6.9	5.3
EFA04 61 ASS	6mm Isolator Clip with adhesive pad			
EFA04 63 001	5.5mm Isolator Clip	Green	7.5	4.9
EFA04 63 ASS	5.5mm Isolator Clip with adhesive pad			
EFA04 64 001	4.5mm Isolator Clip	Yellow	8.5	5.3
EFA04 64 ASS	4.5mm Isolator Clip with adhesive pad			
All dimensions in millimeters				