

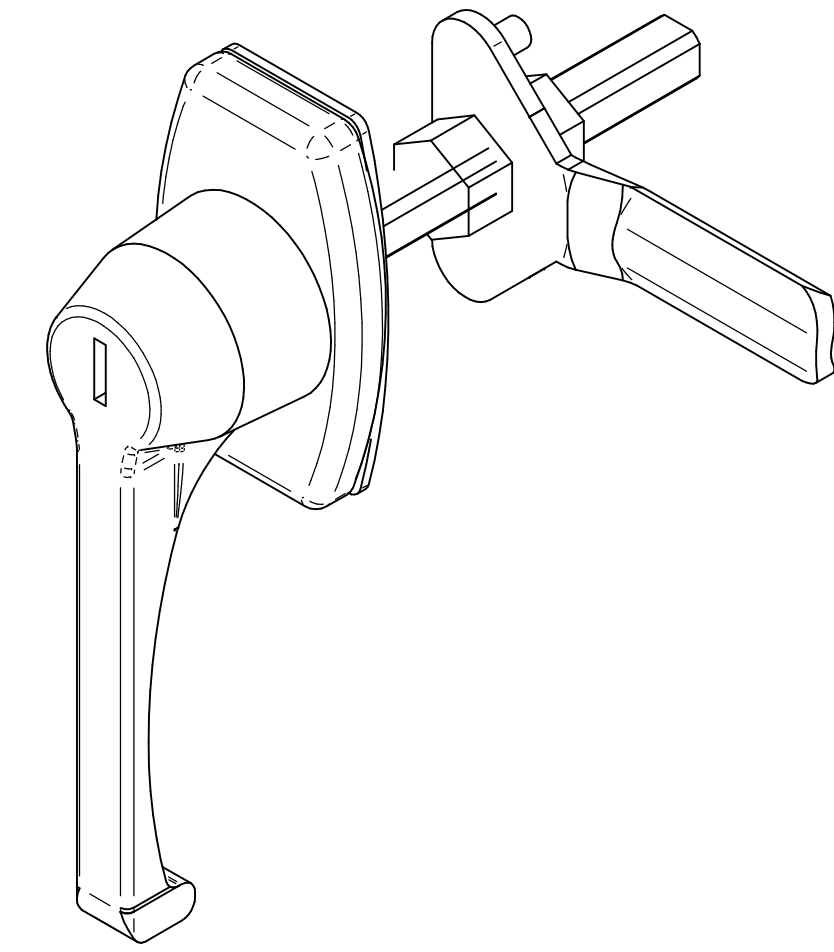
PART No. AHKL1

for more information visit

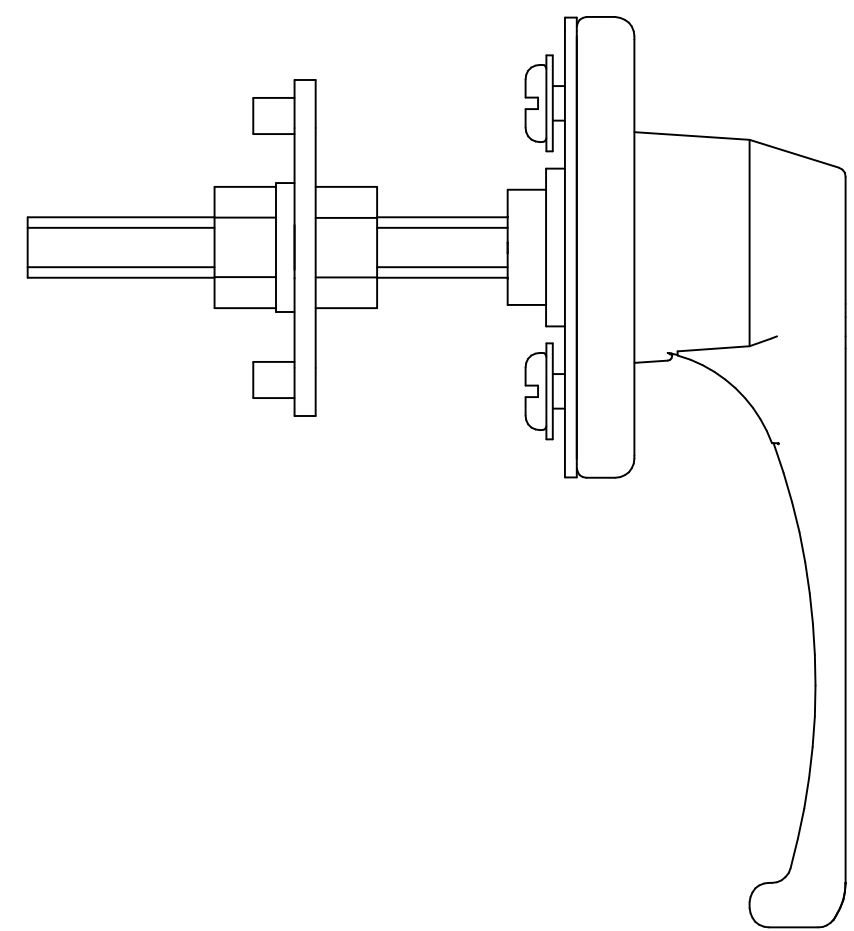
www.hammondmfg.com

Data subject to change without notice

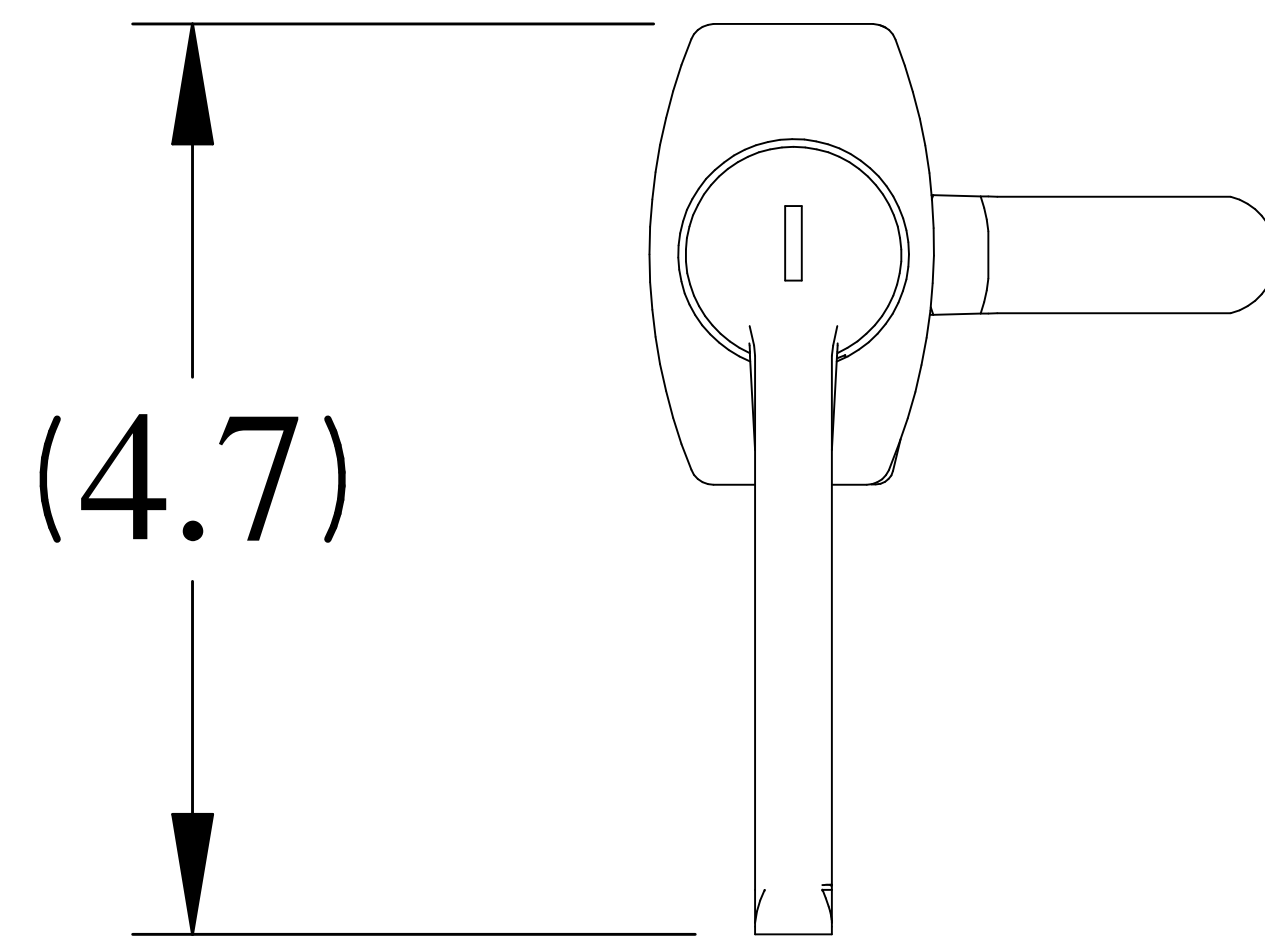
Isometric drawing Not to Scale



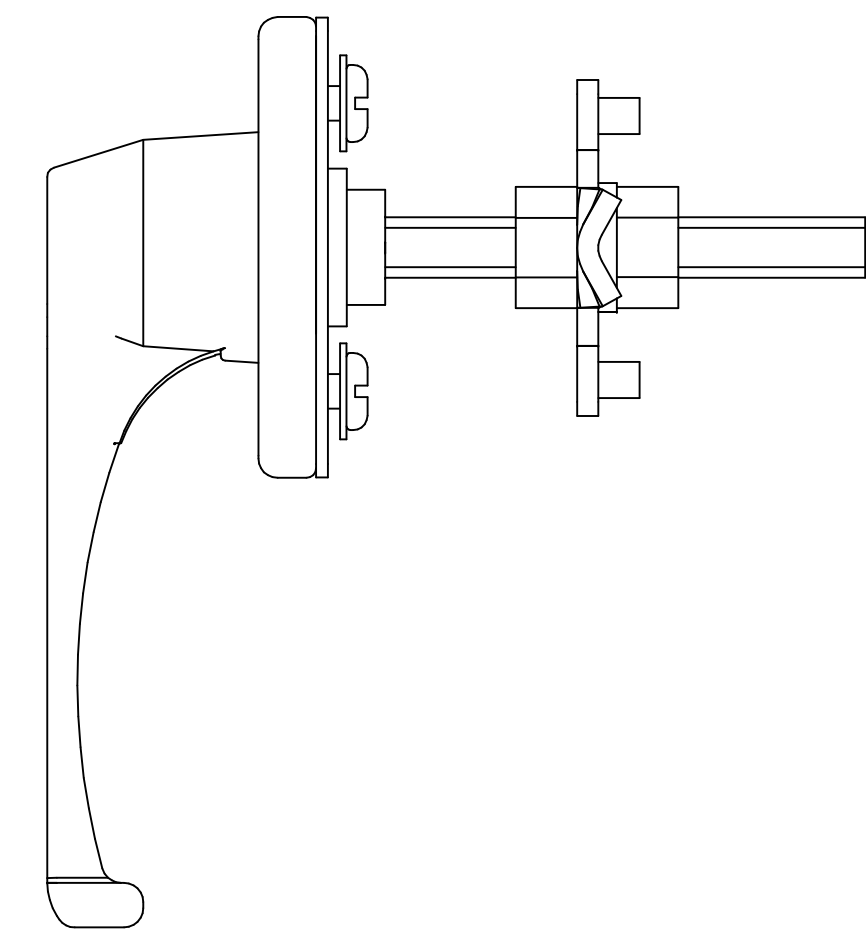
ISOMETRIC VIEW



SIDE VIEW



FRONT VIEW



SIDE VIEW