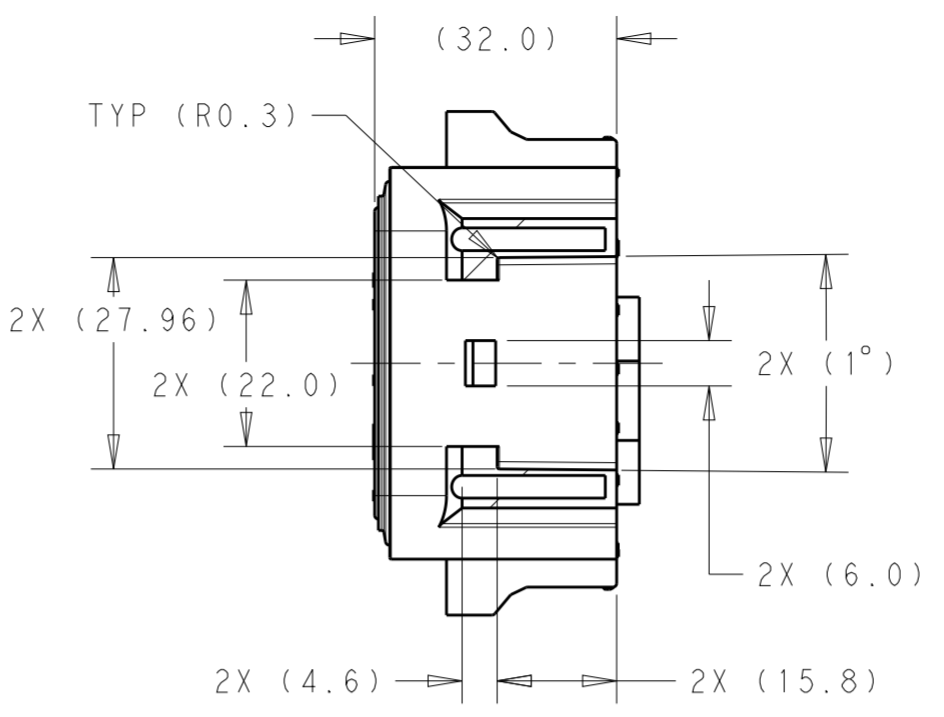
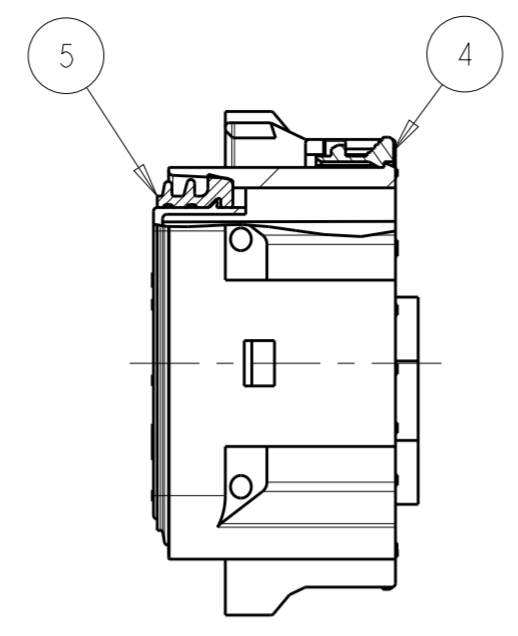
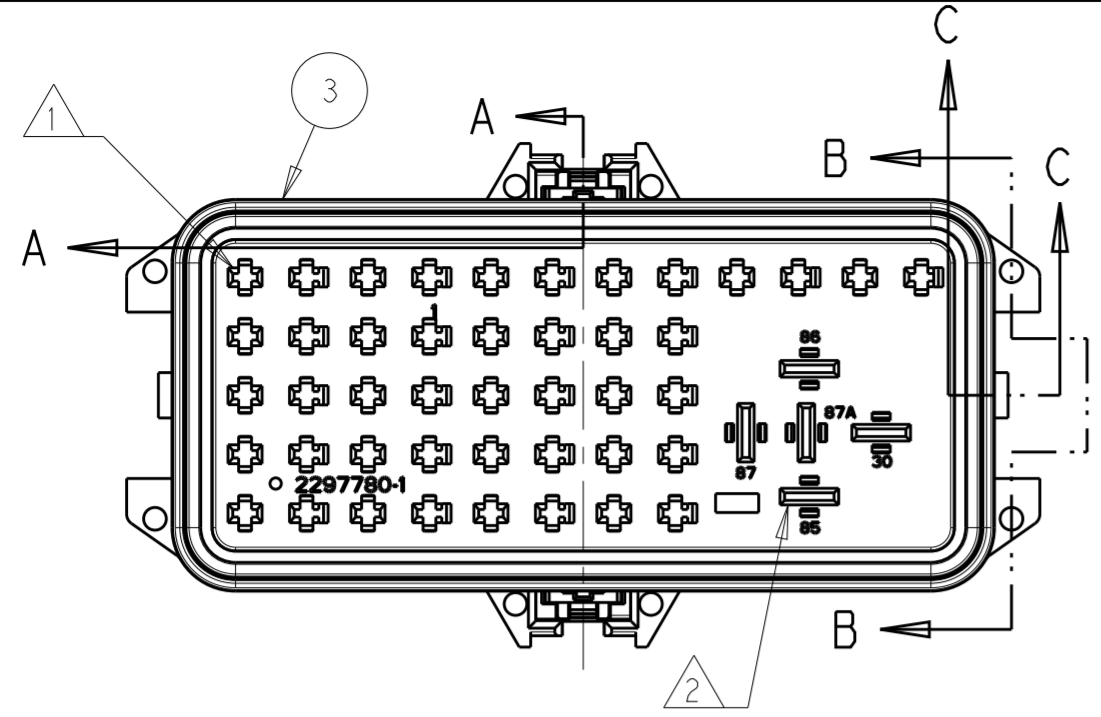
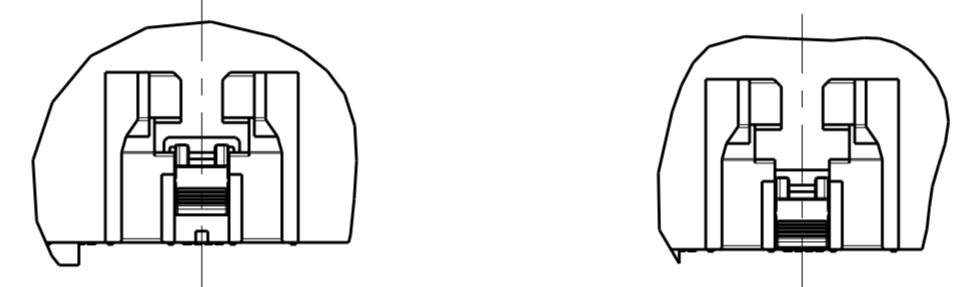
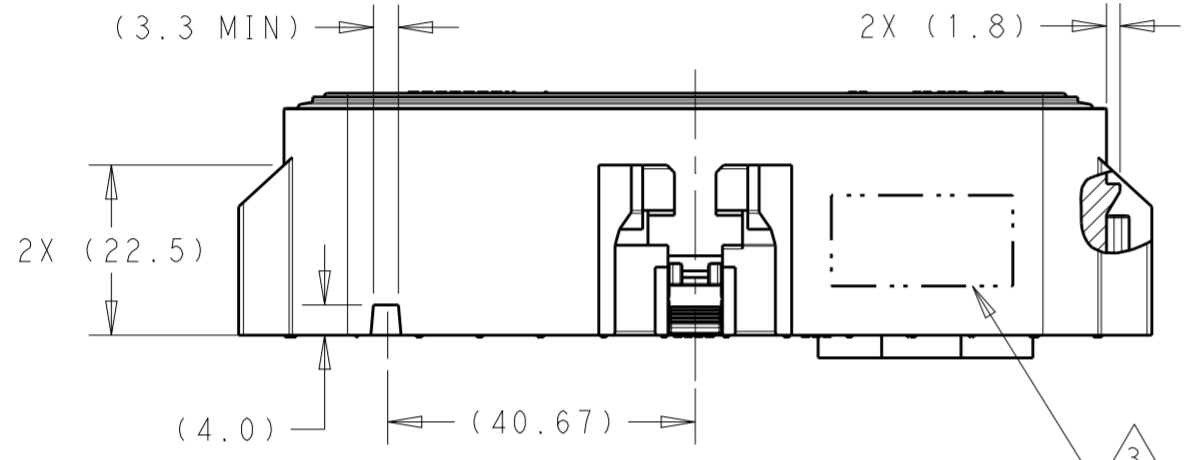


THIS DRAWING IS UNPUBLISHED. RELEASED FOR PUBLICATION 20
 © COPYRIGHT 20 BY - ALL RIGHTS RESERVED.

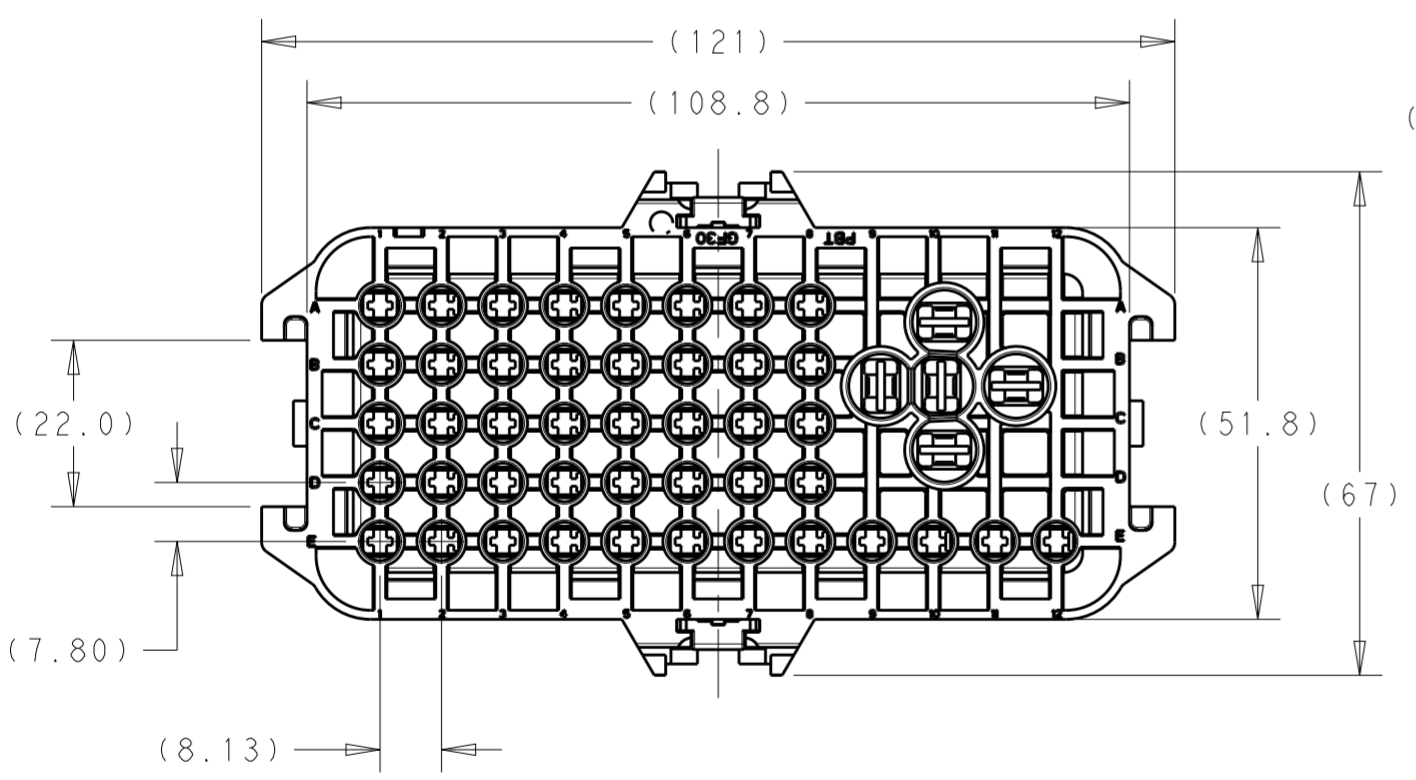
REVISIONS					
P	LTR	DESCRIPTION	DATE	DWN	APVD
A		RELEASED PER ECO-16-006699	04MAY2016	DLD	DCS



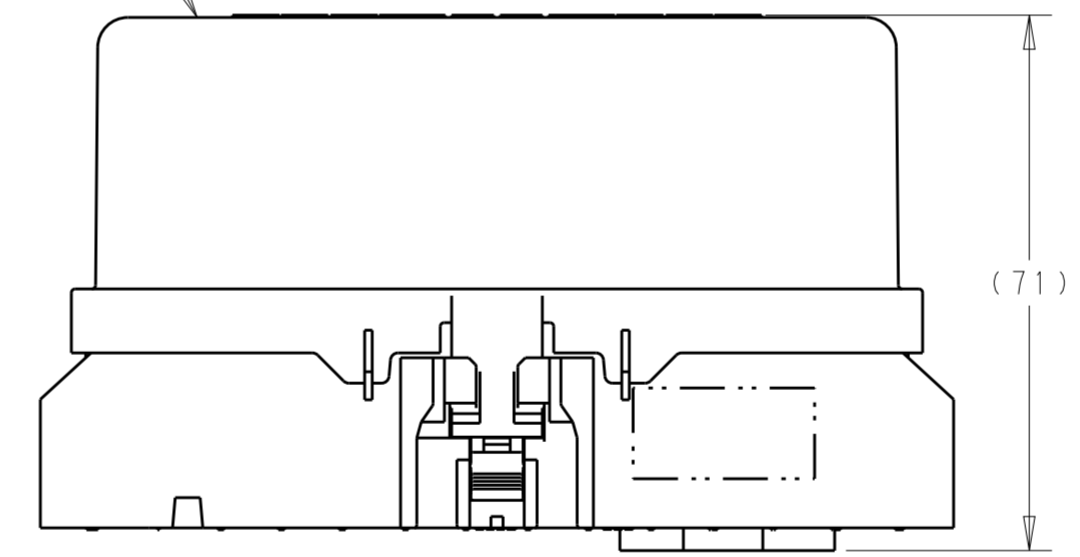
- 1 SEE TE CONNECTIVITY CUSTOMER DRAWING 1355036 FOR TERMINAL SELECTION. MAX WIRE SIZE 14 AWG FOR SEALED WIRE APPLICATION.
- 2 SEE TE CONNECTIVITY CUSTOMER DRAWING 1241438 FOR TERMINAL SELECTION. MAX WIRE SIZE 10 AWG FOR SEALED WIRE APPLICATIONS.
- 3 PART NUMBER AND DATE CODE, DDDYY, IN THIS AREA.



CPA CLOSED POSITION CPA OPEN POSITION (AS SHIPPED)

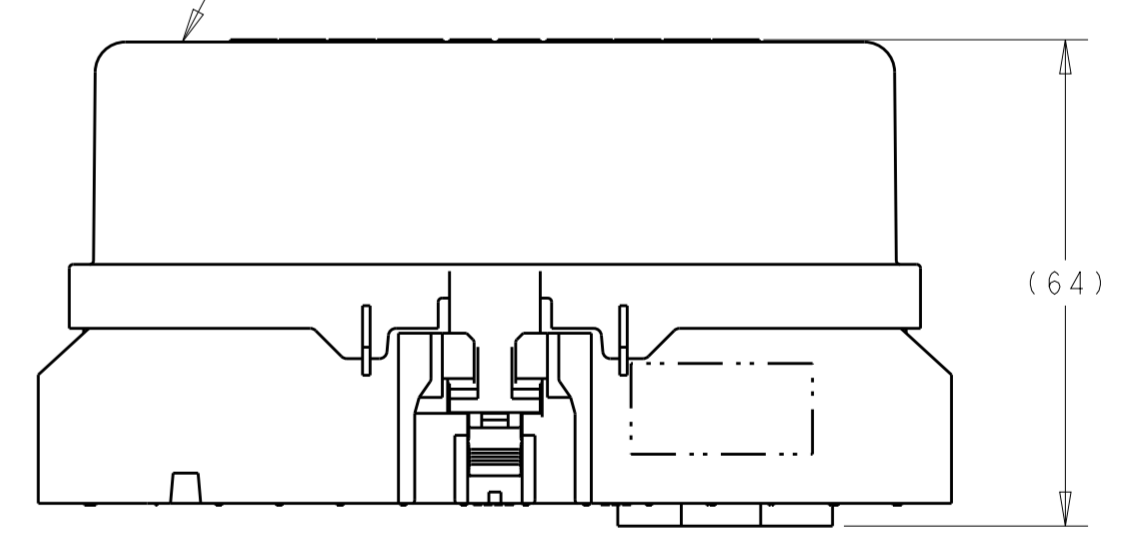


COVER, PN 2098164
(COVER NOT INCLUDED)

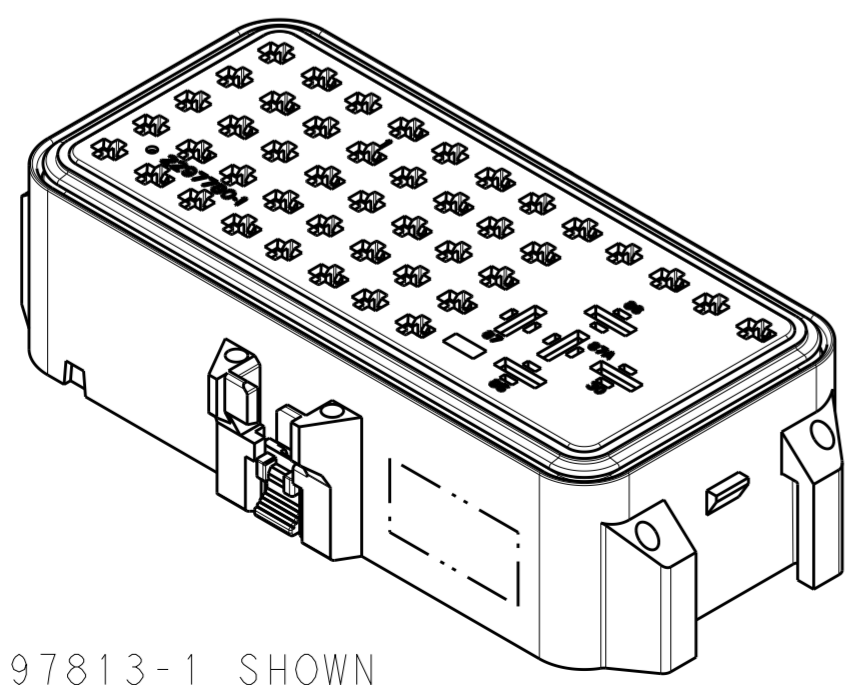


VIEW FOR REFERENCE ONLY

COVER, PN 1443996
(COVER NOT INCLUDED)



VIEW FOR REFERENCE ONLY



2297813-1 SHOWN

1	1	1	VMQ	FACIAL SEAL	5
2	2	2	PBT-GF15, RED	CPA	4
-	-	1	PBT-GF30, BLACK	BASE, 49 POSN, ISO FUSE AND RELAY	3
-	1	-	PBT-GF30, BLACK	BASE, 38 POSN, ISO FUSE AND RELAY	2
1	-	-	PBT-GF30, BLACK	BASE, 27 POSN, ISO FUSE AND RELAY	1
-3	-2	-1		DESCRIPTION	ITEM NO

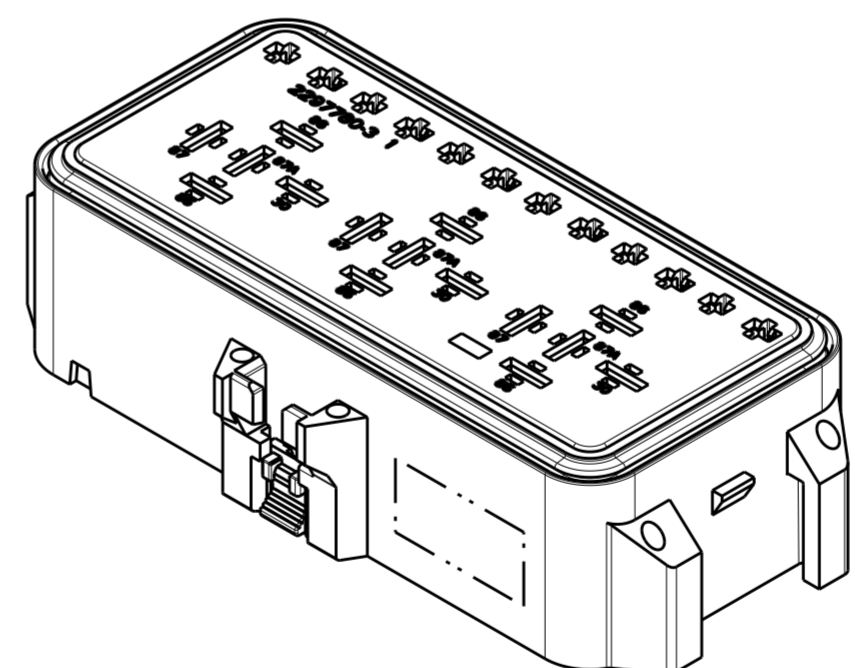
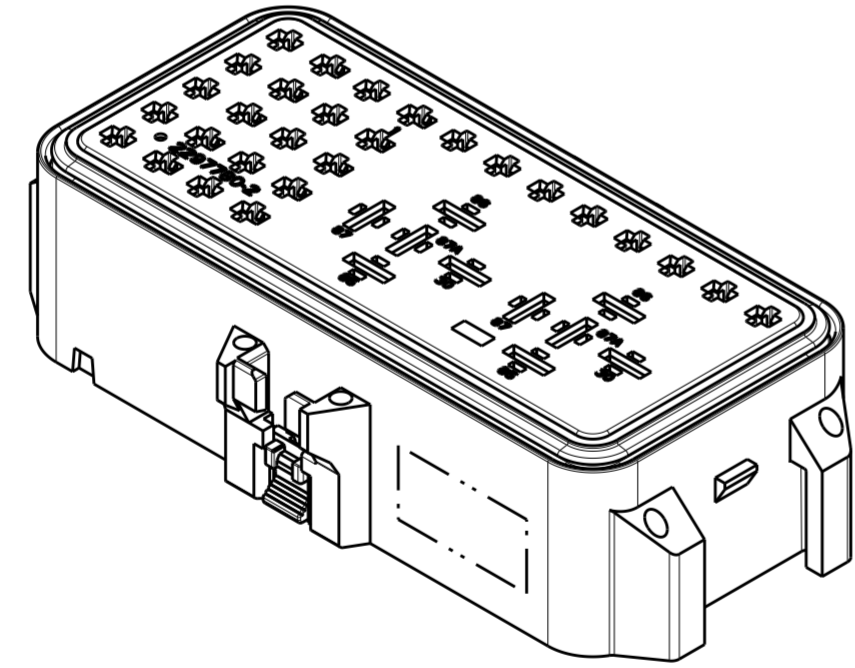
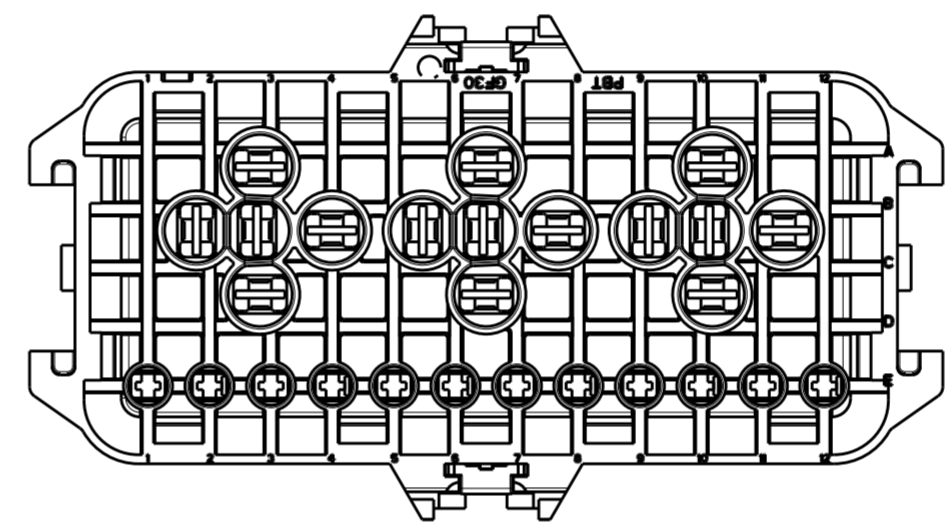
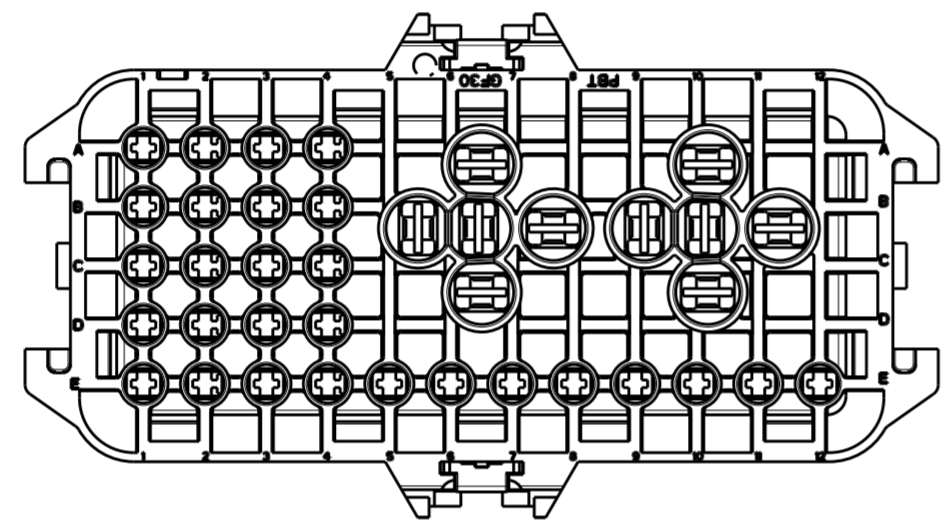
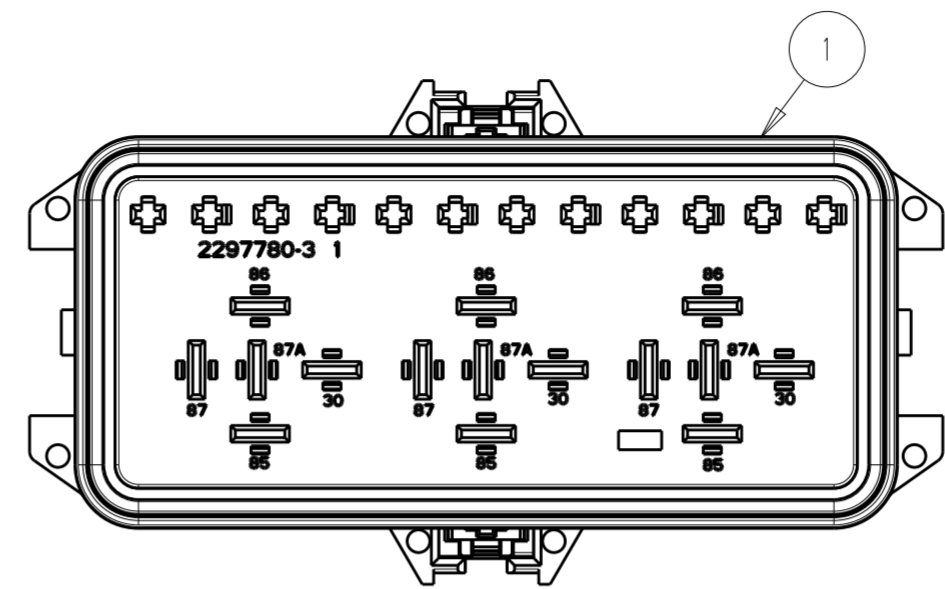
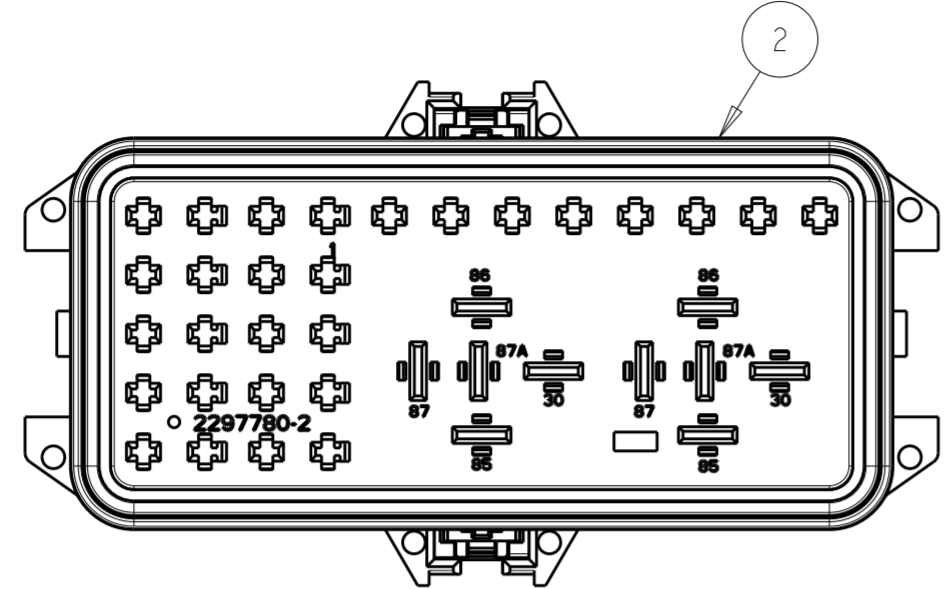
THIS DRAWING IS A CONTROLLED DOCUMENT.

DWN	J. MCNEAL	12NOV2015	TE Connectivity BASE ASSEMBLY ISO FUSE AND RELAY BOX			
CHK	D. STRAUSSER	7JAN2016				
APVD	D. STRAUSSER	29APR2016				
PRODUCT SPEC						
MATERIAL			NAME			
TOLERANCES UNLESS OTHERWISE SPECIFIED:	0 PLC ±		SIZE	CAGE CODE	DRAWING NO	RESTRICTED TO
1 PLC ±	1 PLC ±		A200779	C-2297813		
2 PLC ±	2 PLC ±		SCALE	SHEET	OF	REV
3 PLC ±	3 PLC ±		1:1	1	3	A
4 PLC ±	4 PLC ±					
ANGLES ±						
FINISH						

CUSTOMER DRAWING


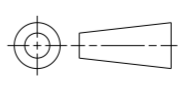
THIS DRAWING IS UNPUBLISHED. RELEASED FOR PUBLICATION 20
 © COPYRIGHT 20 BY - ALL RIGHTS RESERVED.

REVISIONS				
P	LTR	DESCRIPTION	DATE	APVD
-	-	SEE SHEET 1	-	-



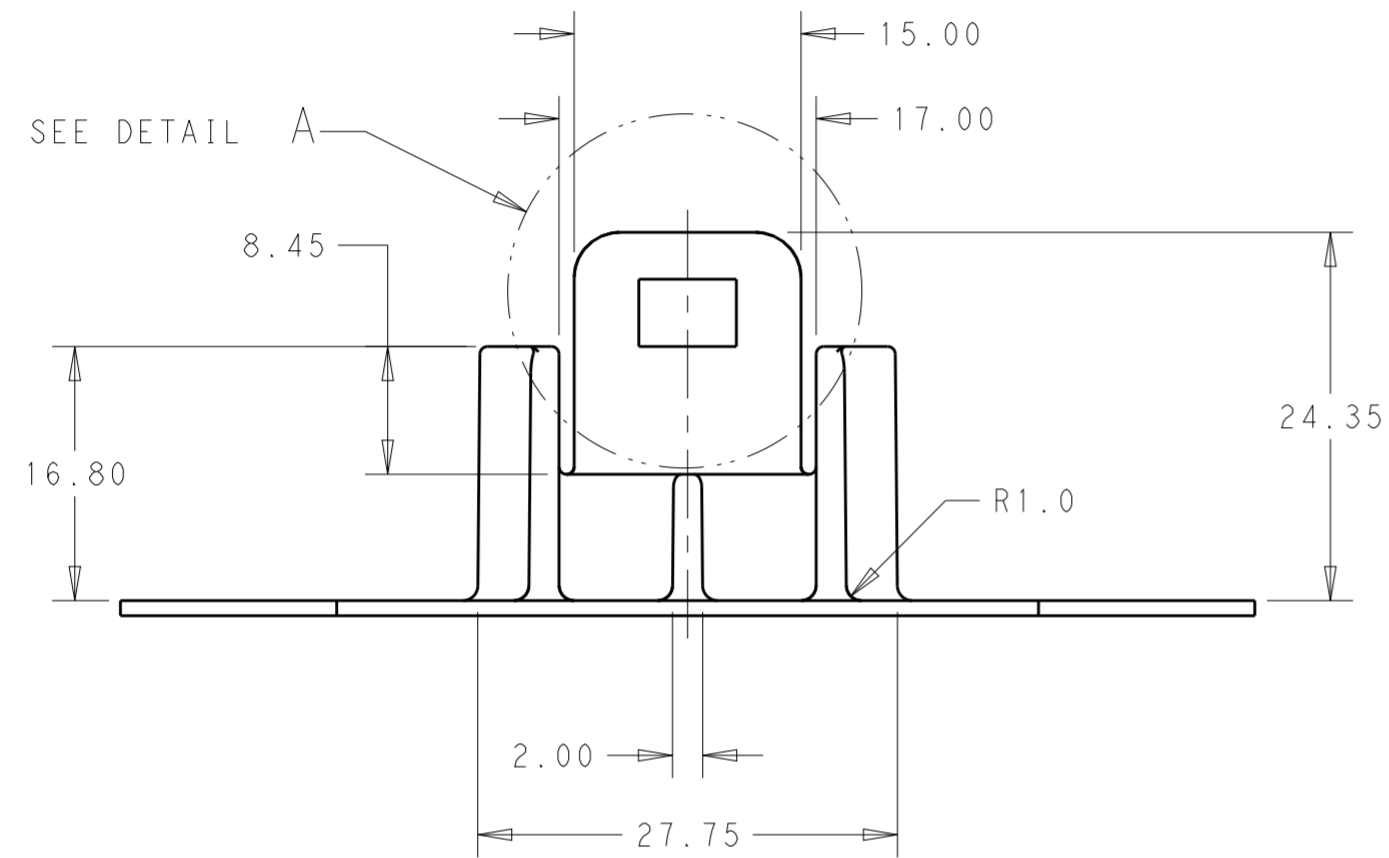
2297813-2 SHOWN

2297813-3 SHOWN

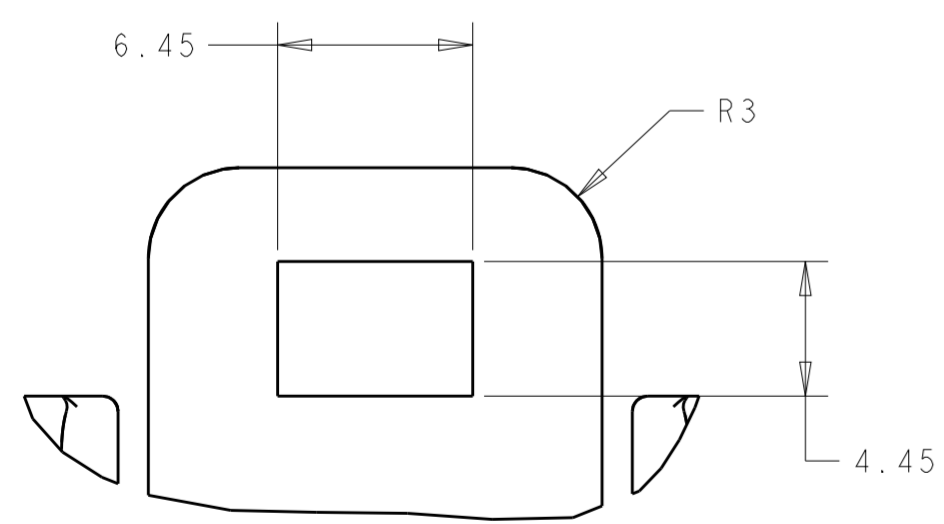
THIS DRAWING IS A CONTROLLED DOCUMENT.		DWN J. MCNEAL 12NOV2015	 TE Connectivity	
DIMENSIONS: mm 		CHK D. STRAUSSER 07JAN2016		
TOLERANCES UNLESS OTHERWISE SPECIFIED: 0 PLC ± 1 PLC ± 2 PLC ± 3 PLC ± 4 PLC ± ANGLES ± FINISH -		APVD D. STRAUSSER 07JAN2016	BASE ASSEMBLY ISO FUSE AND RELAY BOX	
MATERIAL	-	PRODUCT SPEC	SIZE	
		APPLICATION SPEC	CAGE CODE	
		WEIGHT	DRAWING NO	
		CUSTOMER DRAWING	A200779	
		SCALE	DRAWING NO	
		1:1	C-2297813	
		SHEET	RESTRICTED TO	
		2 OF 3	-	
		REV	A	

THIS DRAWING IS UNPUBLISHED. RELEASED FOR PUBLICATION 20
 © COPYRIGHT 20 BY - ALL RIGHTS RESERVED.

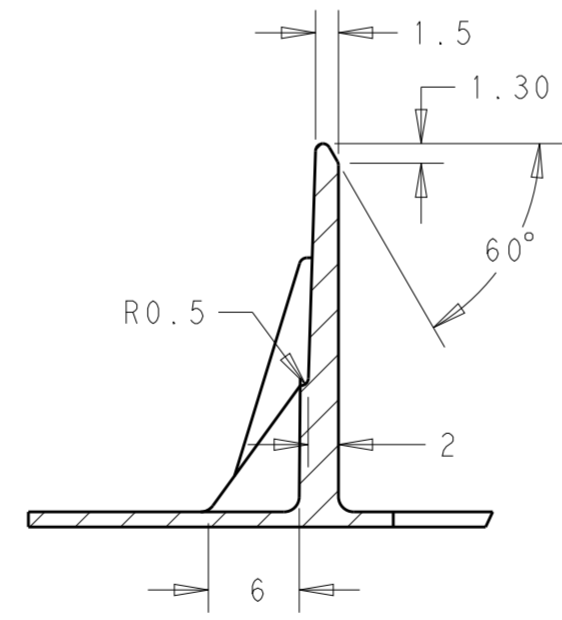
REVISIONS				
P	LTR	DESCRIPTION	DATE	APVD
-		SEE SHEET 1	-	-



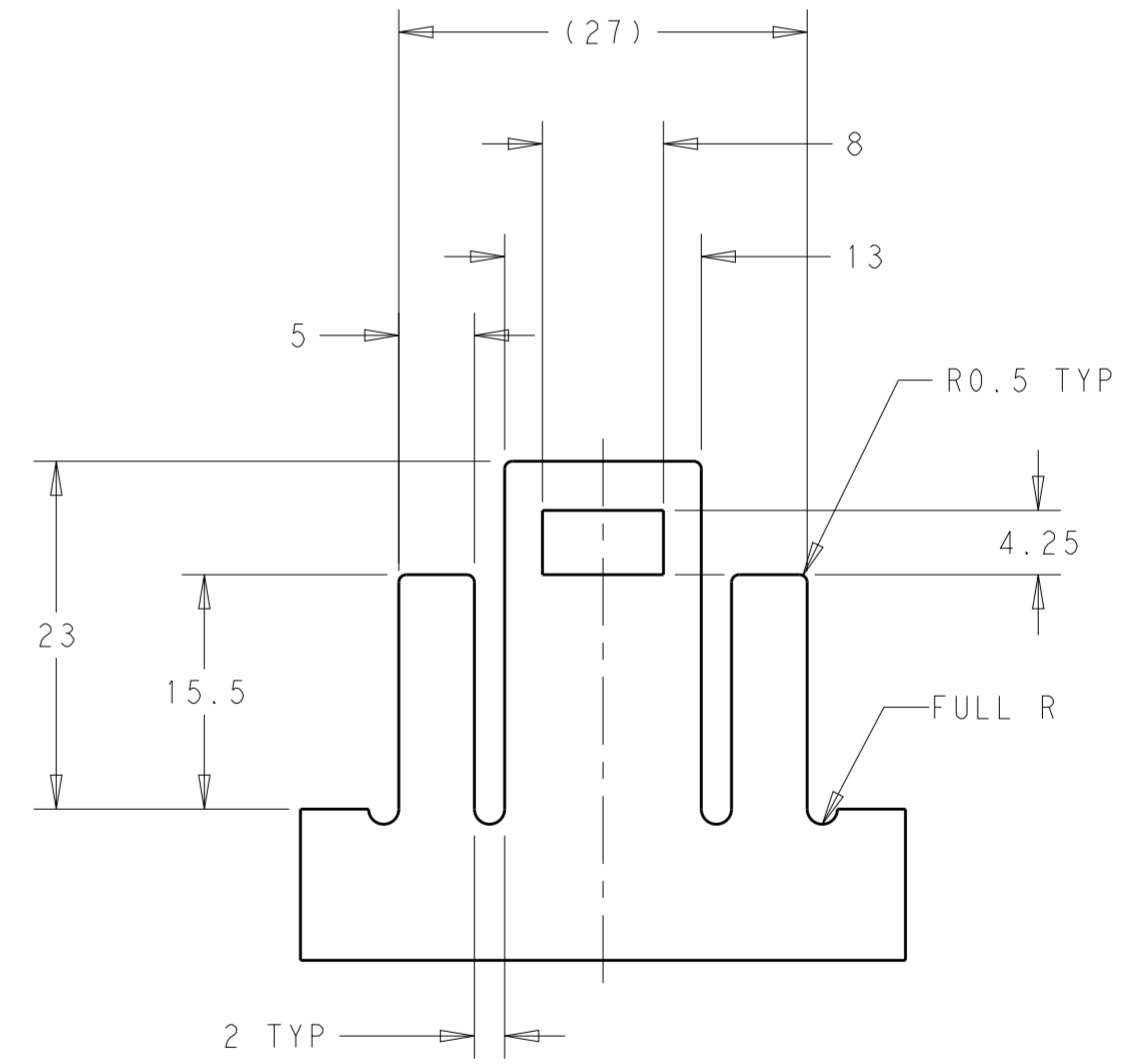
SCALE 2:1



DETAIL A
SCALE 4:1



SECTION A-A
SCALE 2:1



SUGGESTED SHEET METAL LATCH

PLASTIC MOUNTING LATCH
0.5° DRAFT ADDED AS NEEDED

THIS DRAWING IS A CONTROLLED DOCUMENT.		DWN J. MCNEAL 12NOV2015	TE Connectivity	
DIMENSIONS: mm		CHK D. STRAUSSER 07JAN2016		
TOLERANCES UNLESS OTHERWISE SPECIFIED:		APVD D. STRAUSSER 07JAN2016	NAME BASE ASSEMBLY ISO FUSE AND RELAY BOX	
0 PLC ± 1 PLC ± 2 PLC ± 3 PLC ± 4 PLC ± ANGLES ± FINISH -		PRODUCT SPEC -	SIZE A200779	CAGE CODE C-2297813
MATERIAL -		APPLICATION SPEC -	DRAWING NO -	RESTRICTED TO -
		WEIGHT -	SCALE 1:1 SHEET 3 OF 3 REV A	
		CUSTOMER DRAWING		