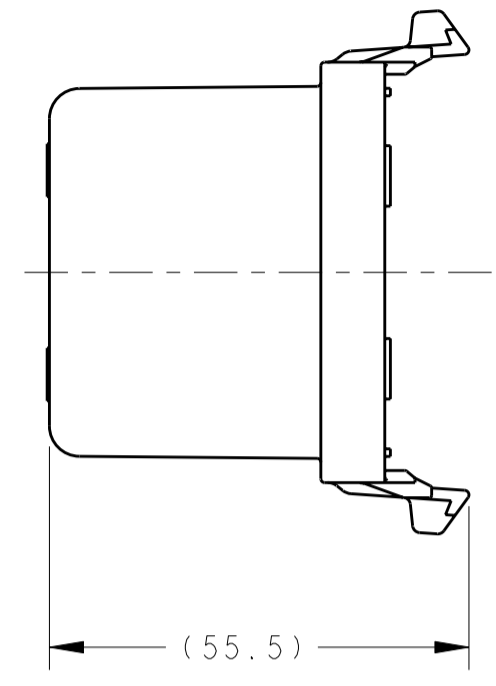
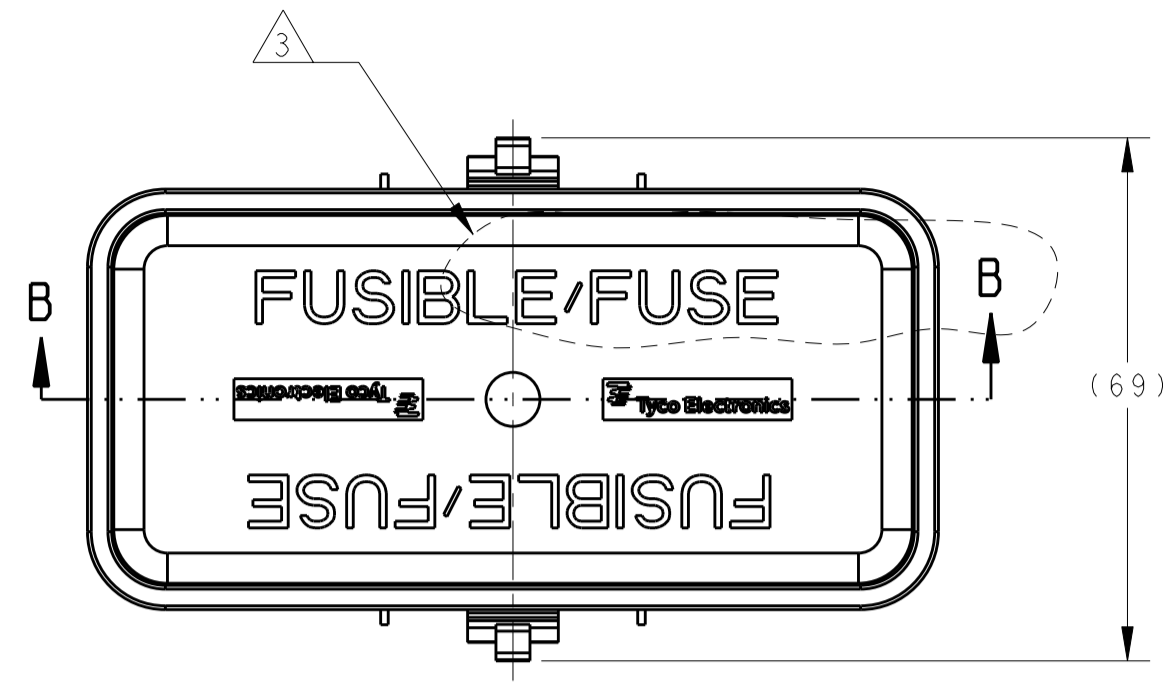
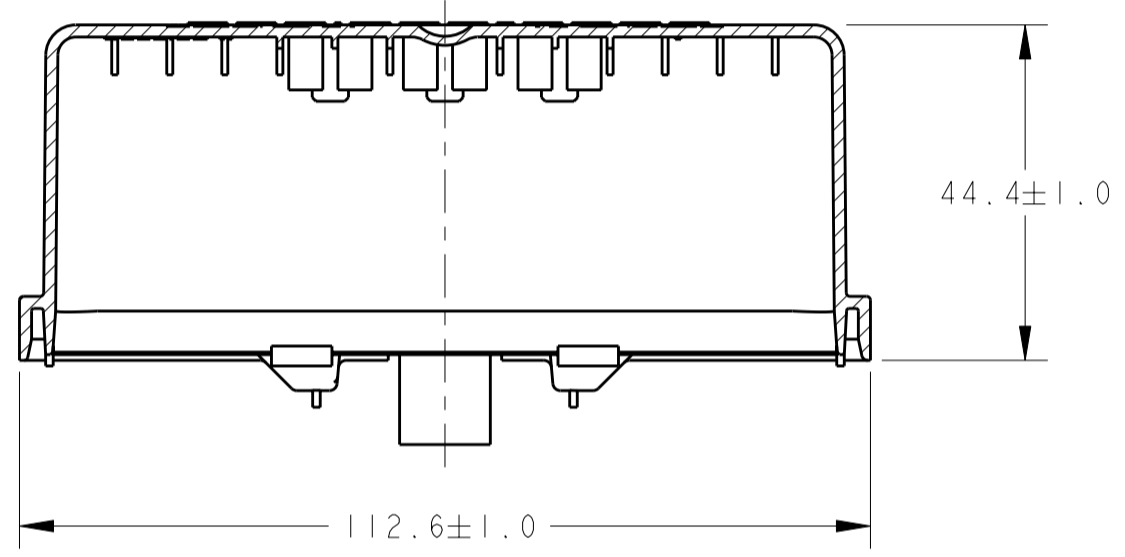


THIS DRAWING IS UNPUBLISHED. RELEASED FOR PUBLICATION 20
 © COPYRIGHT 20 BY TYCO ELECTRONICS CORPORATION. ALL INTERNATIONAL RIGHTS RESERVED.

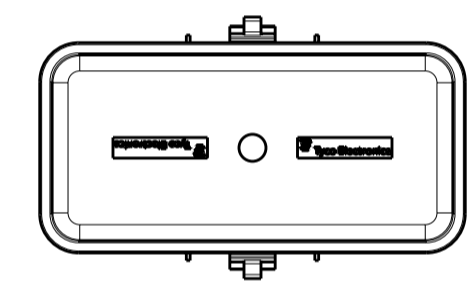
LOC	DIST	REVISIONS			
P	LTR	DESCRIPTION	DATE	DWN	APVD
	A	INITIAL RELEASE PER ECO-09-027094	07DEC2009	SC	JS
	AI	REVISED PER ECO-09-028310	22DEC2009	SC	DK



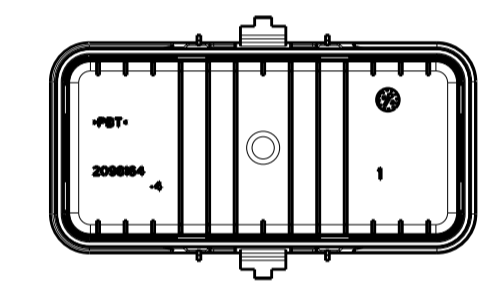
- 1 MATERIAL- PBT, BLACK
- 2 SPARE MINI FUSE HOLDERS, 2098164-1 AND 2098164-3 ONLY.
- 3 TOPSIDE RAISED TEXT: "FUSIBLE/FUSE", 2098164-1 AND 2098164-2 ONLY.
- 4 PART NUMBERS ARE NOT TOOLED AT THIS TIME.



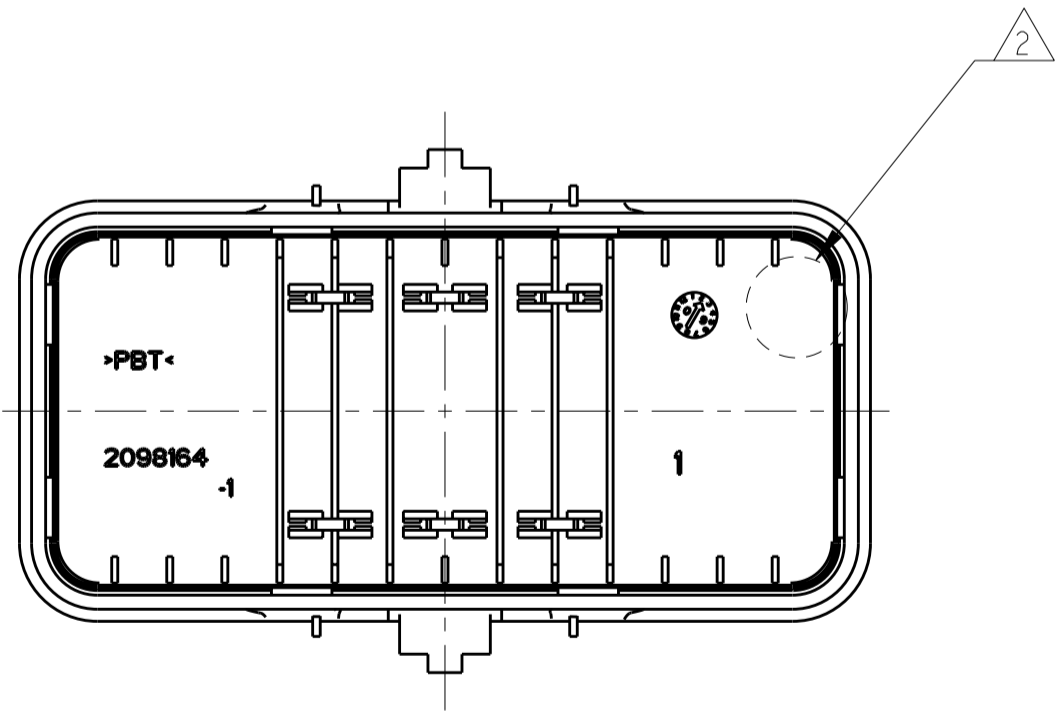
SECTION B-B



2098164-3 AND 2098164-4
NO TOPSIDE GRAPHICS
SCALE 1:2



2098164-2 AND 2098164-4
W/O FUSE HOLDER
SCALE 1:2



2098164-1 SHOWN
SCALE 1:1

COVER, 60 POSN, W/O FUSE HOLDER, NO TOPSIDE GRAPHICS.	2098164-4
COVER, 60 POSN, NO TOPSIDE GRAPHICS	2098164-3 1 2 4
COVER, 60 POSN, W/O FUSE HOLDER	2098164-2 3 4
COVER, 60 POSITION	2098164-1 2 3 4
DESCRIPTION	PART NUMBER

THIS DRAWING IS A CONTROLLED DOCUMENT FOR TYCO ELECTRONICS CORPORATION. IT IS SUBJECT TO CHANGE AND THE CONTROLLING ENGINEERING ORGANIZATION SHOULD BE CONTACTED FOR THE LATEST REVISION.		DWN S. CROSS 02DEC2009	Tyco Electronics Harrisburg, PA 17105-3608	
DIMENSIONS: mm		CHK J. SHEVELA 02DEC2009	NAME COVER, 60 POSITION	
TOLERANCES UNLESS OTHERWISE SPECIFIED: 0 PLC ±1 1 PLC ±0.25 2 PLC ±0.15 3 PLC ±0.005 4 PLC ± ANGLES ±1 FINISH		APVD J. SHEVELA 02DEC2009	RESTRICTED TO	
MATERIAL 1		PRODUCT SPEC -	SIZE A200779	DRAWING NO C-2098164
		APPLICATION SPEC -	SCALE	SHEET OF REV A1
		WEIGHT -	CUSTOMER DRAWING	