

Medium current, high performance, low voltage PNP transistor

Features

- Very low collector to emitter saturation voltage
- DC current gain, $h_{FE} > 100$
- 3 A continuous collector current
- 40 V breakdown voltage $V_{(BR)CER}$
- SOT-223 plastic package for surface mounting circuits in tape and reel packing

Applications

- Power management in portable equipment
- Voltage regulation in bias supply circuits
- Switching regulator in battery charger applications
- Heavy load driver

Description

The device is manufactured in low voltage PNP planar technology by using a "Base Island" layout. The resulting transistor shows exceptional high gain performance coupled with very low saturation voltage.

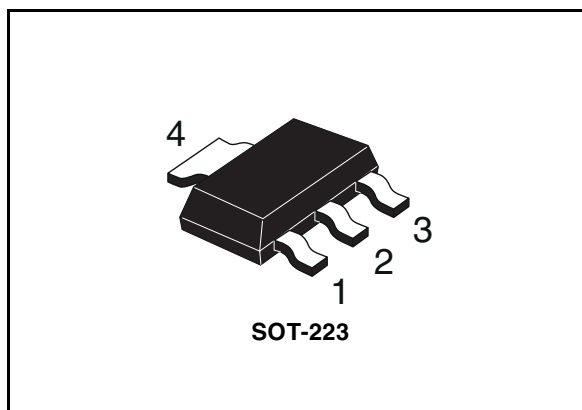


Figure 1. Internal schematic diagram

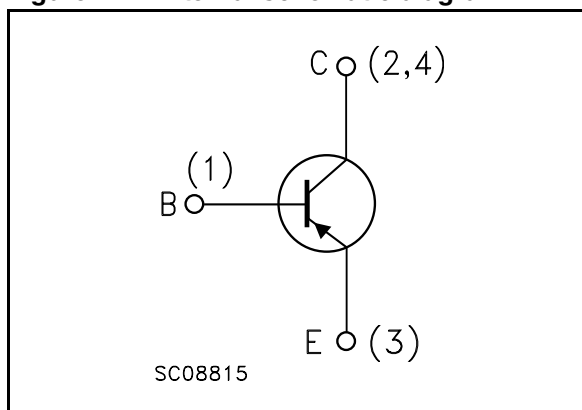


Table 1. Device summary

| Order code | Marking | Package | Packaging |
|------------|---------|---------|---------------|
| STN790A | N790A | SOT-223 | Tape and reel |

1 Electrical ratings

Table 2. Absolute maximum rating

| Symbol | Parameter | Value | Unit |
|-----------|--|------------|------|
| V_{CBO} | Collector-base voltage ($I_E = 0$) | -40 | V |
| V_{CER} | Collector-emitter voltage ($R_{BE} = 47 \Omega$) | -40 | V |
| V_{CEO} | Collector-emitter voltage ($I_B = 0$) | -30 | V |
| V_{EBO} | Emitter-base voltage ($I_C = 0$) | -5 | V |
| I_C | Collector current | -3 | A |
| I_{CM} | Collector peak current ($t_p < 5$ ms) | -6 | A |
| P_{tot} | Total dissipation at $T_{amb} = 25$ °C | 1.6 | W |
| T_{stg} | Storage temperature | -65 to 150 | °C |
| T_J | Max. operating junction temperature | 150 | °C |

Table 3. Thermal data

| Symbol | Parameter | Value | Unit |
|---------------|--|-------|------|
| $R_{thj-amb}$ | Thermal resistance junction-ambient ⁽¹⁾ max | 78 | °C/W |

1. Device mounted on PCB area of 1 cm².

2 Electrical characteristics

($T_{\text{case}} = 25\text{ °C}$ unless otherwise specified)

Table 4. Electrical characteristics

| Symbol | Parameter | Test conditions | Min. | Typ. | Max. | Unit |
|-----------------------------------|--|--|--------------------------------|--------------------------|--|--------------------------------|
| I_{CBO} | Collector cut-off current ($I_{\text{E}} = 0$) | $V_{\text{CB}} = -30\text{ V}$ $V_{\text{CB}} = -30\text{ V}; T_{\text{C}} = 100\text{ °C}$ | | | -10 -100 | μA μA |
| I_{EBO} | Emitter cut-off current ($I_{\text{C}} = 0$) | $V_{\text{EB}} = -4\text{ V}$ | | | -10 | μA |
| $V_{(\text{BR})\text{CEO}}^{(1)}$ | Collector-emitter breakdown voltage ($I_{\text{B}} = 0$) | $I_{\text{C}} = -10\text{ mA}$ | -30 | | | V |
| $V_{(\text{BR})\text{CER}}^{(1)}$ | Collector-emitter breakdown voltage ($R_{\text{BE}} = 47\ \Omega$) | $I_{\text{C}} = -10\text{ mA}$ | -40 | | | V |
| $V_{(\text{BR})\text{CBO}}$ | Collector-base breakdown voltage ($I_{\text{E}} = 0$) | $I_{\text{C}} = -100\ \mu\text{A}$ | -40 | | | V |
| $V_{(\text{BR})\text{EBO}}$ | Emitter-base breakdown voltage ($I_{\text{C}} = 0$) | $I_{\text{E}} = -100\ \mu\text{A}$ | -5 | | | V |
| $V_{\text{CE}(\text{sat})}^{(1)}$ | Collector-emitter saturation voltage | $I_{\text{C}} = -0.5\text{ A}$ $I_{\text{B}} = -5\text{ mA}$ $I_{\text{C}} = -1.2\text{ A}$ $I_{\text{B}} = -20\text{ mA}$ $I_{\text{C}} = -2\text{ A}$ $I_{\text{B}} = -20\text{ mA}$ $I_{\text{C}} = -3\text{ A}$ $I_{\text{B}} = -100\text{ mA}$ $I_{\text{C}} = -3\text{ A}$ $I_{\text{B}} = -100\text{ mA}$ $T_{\text{J}} = 100\text{ °C}$ | | | -0.15 -0.25 -0.5 -0.7 -0.9 | V V V V V |
| $V_{\text{BE}(\text{sat})}^{(1)}$ | Base-emitter saturation voltage | $I_{\text{C}} = -1\text{ A}$ $I_{\text{B}} = -10\text{ mA}$ | | -0.8 | -1 | V |
| $V_{\text{BE}(\text{on})}^{(1)}$ | Base-emitter on voltage | $I_{\text{C}} = -1\text{ A}$ $V_{\text{CE}} = -2\text{ V}$ | | -0.8 | -1 | V |
| $h_{\text{FE}}^{(1)}$ | DC current gain | $I_{\text{C}} = -10\text{ mA}$ $V_{\text{CE}} = -2\text{ V}$ $I_{\text{C}} = -500\text{ mA}$ $V_{\text{CE}} = -2\text{ V}$ $I_{\text{C}} = -1\text{ A}$ $V_{\text{CE}} = -2\text{ V}$ $I_{\text{C}} = -2\text{ A}$ $V_{\text{CE}} = -1\text{ V}$ $I_{\text{C}} = -3\text{ A}$ $V_{\text{CE}} = -1\text{ V}$ | 100 100 100 100 90 | 200 200 160 130 | 400 400 | |

Table 4. Electrical characteristics (continued)

| Symbol | Parameter | Test conditions | Min. | Typ. | Max. | Unit |
|--------|------------------------------|--|------|------|------|------|
| f_t | Transition frequency | $I_C = -50 \text{ mA}$ $V_{CE} = -5 \text{ V}$ $f = 50 \text{ MHz}$ | | 100 | | MHz |
| t_d | Resistive load Delay time | $I_C = -3 \text{ A}$ $V_{CC} = -20 \text{ V}$ $I_{B1} = -I_{B2} = -60 \text{ mA}$ see Figure 8 | | 180 | 220 | ns |
| t_r | Rise time | | | 160 | 210 | ns |
| t_s | Storage time | | | 250 | 300 | ns |
| t_f | Fall time | | | 80 | 100 | ns |

1. Pulse duration = 300 μs , duty cycle $\leq 1.5\%$

2.1 Electrical characteristics (curves)

Figure 2. DC current gain

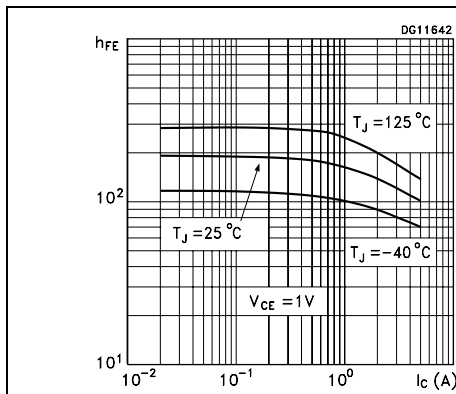


Figure 3. DC current gain

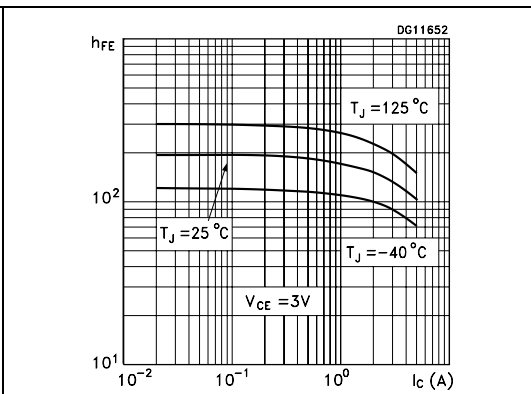


Figure 4. Collector-emitter saturation voltage

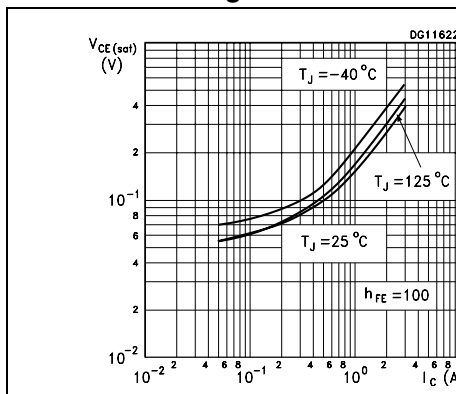


Figure 5. Base-emitter saturation voltage

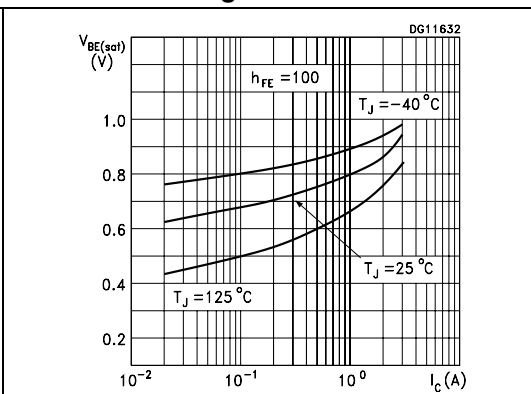
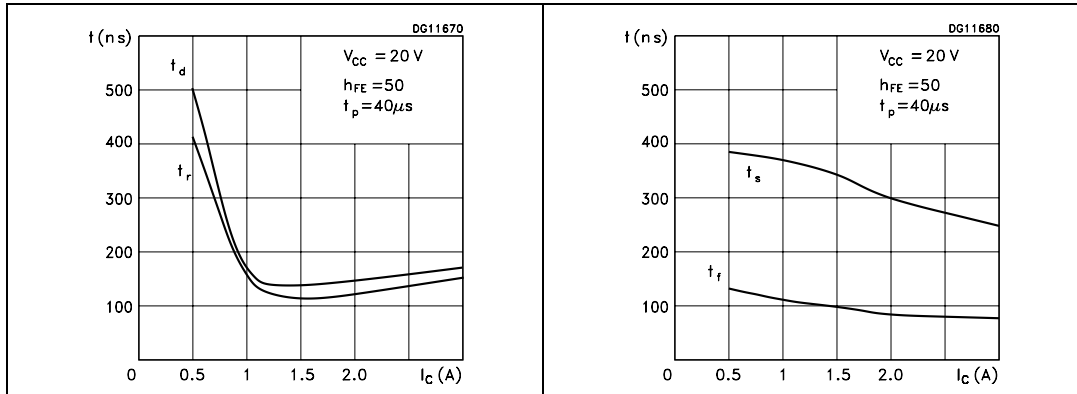
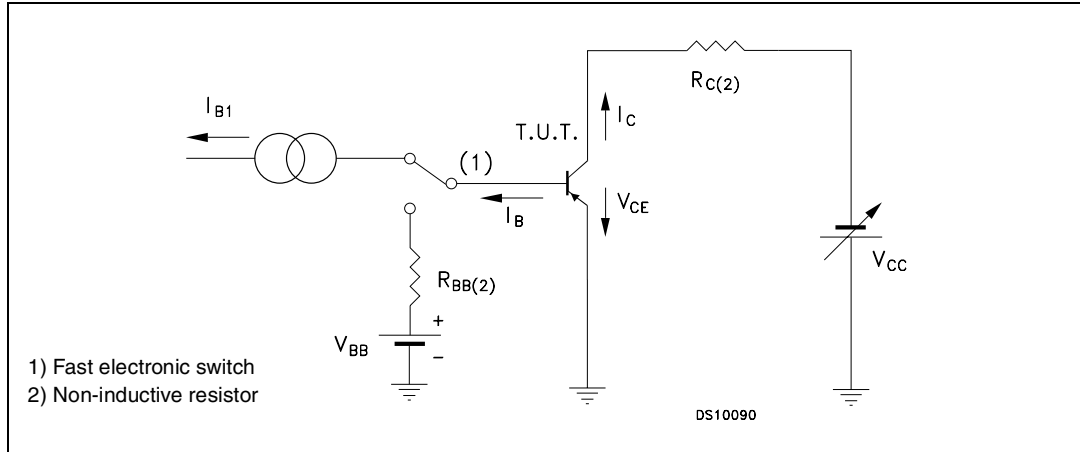


Figure 6. Switching time resistive load Figure 7. Switching time resistive load



2.2 Test circuit

Figure 8. Resistive load switching test circuit

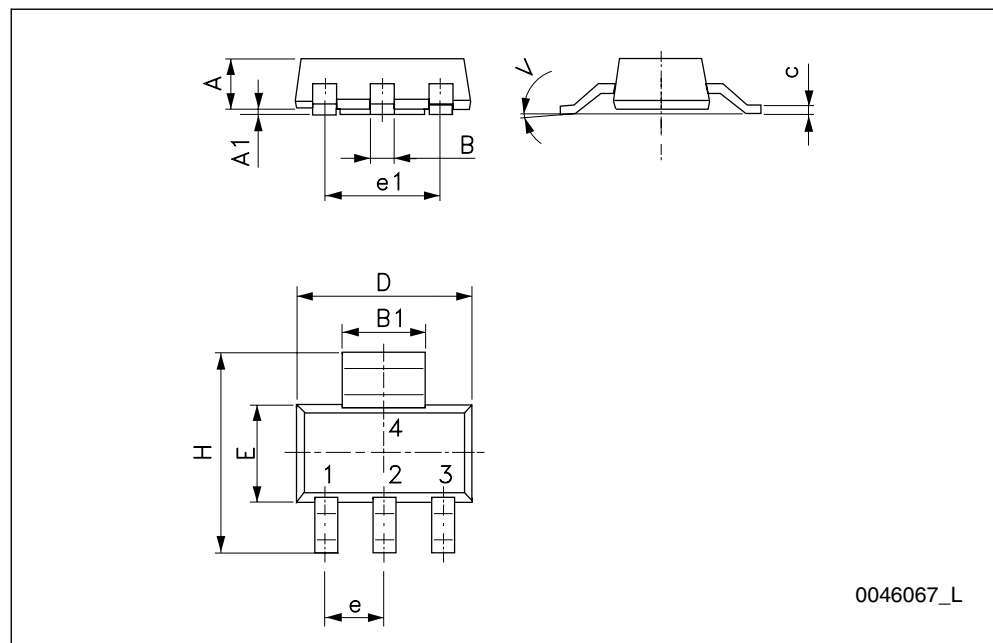


3 Package mechanical data

In order to meet environmental requirements, ST offers these devices in ECOPACK® packages. These packages have a Lead-free second level interconnect. The category of second level interconnect is marked on the package and on the inner box label, in compliance with JEDEC Standard JESD97. The maximum ratings related to soldering conditions are also marked on the inner box label. ECOPACK is an ST trademark. ECOPACK specifications are available at: www.st.com

SOT-223 mechanical data

| DIM. | mm. | | |
|------|------|------|------|
| | min. | typ | max. |
| A | | | 1.80 |
| A1 | 0.02 | | 0.1 |
| B | 0.60 | 0.70 | 0.85 |
| B1 | 2.90 | 3.00 | 3.15 |
| c | 0.24 | 0.26 | 0.35 |
| D | 6.30 | 6.50 | 6.70 |
| e | | 2.30 | |
| e1 | | 4.60 | |
| E | 3.30 | 3.50 | 3.70 |
| H | 6.70 | 7.00 | 7.30 |
| V | | | 10 ° |



4 Revision history

Table 5. Document revision history

| Date | Revision | Changes |
|-------------|----------|----------------------------------|
| 24-Mar-2006 | 3 | Updated to new template |
| 26-Jun-2008 | 4 | Updated SOT-223 mechanical data. |

Please Read Carefully:

Information in this document is provided solely in connection with ST products. STMicroelectronics NV and its subsidiaries ("ST") reserve the right to make changes, corrections, modifications or improvements, to this document, and the products and services described herein at any time, without notice.

All ST products are sold pursuant to ST's terms and conditions of sale.

Purchasers are solely responsible for the choice, selection and use of the ST products and services described herein, and ST assumes no liability whatsoever relating to the choice, selection or use of the ST products and services described herein.

No license, express or implied, by estoppel or otherwise, to any intellectual property rights is granted under this document. If any part of this document refers to any third party products or services it shall not be deemed a license grant by ST for the use of such third party products or services, or any intellectual property contained therein or considered as a warranty covering the use in any manner whatsoever of such third party products or services or any intellectual property contained therein.

UNLESS OTHERWISE SET FORTH IN ST'S TERMS AND CONDITIONS OF SALE ST DISCLAIMS ANY EXPRESS OR IMPLIED WARRANTY WITH RESPECT TO THE USE AND/OR SALE OF ST PRODUCTS INCLUDING WITHOUT LIMITATION IMPLIED WARRANTIES OF MERCHANTABILITY, FITNESS FOR A PARTICULAR PURPOSE (AND THEIR EQUIVALENTS UNDER THE LAWS OF ANY JURISDICTION), OR INFRINGEMENT OF ANY PATENT, COPYRIGHT OR OTHER INTELLECTUAL PROPERTY RIGHT.

UNLESS EXPRESSLY APPROVED IN WRITING BY AN AUTHORIZED REPRESENTATIVE OF ST, ST PRODUCTS ARE NOT DESIGNED, AUTHORIZED OR WARRANTED FOR USE IN MILITARY, AIR CRAFT, SPACE, LIFE SAVING, OR LIFE SUSTAINING APPLICATIONS, NOR IN PRODUCTS OR SYSTEMS, WHERE FAILURE OR MALFUNCTION MAY RESULT IN PERSONAL INJURY, DEATH, OR SEVERE PROPERTY OR ENVIRONMENTAL DAMAGE.

Resale of ST products with provisions different from the statements and/or technical features set forth in this document shall immediately void any warranty granted by ST for the ST product or service described herein and shall not create or extend in any manner whatsoever, any liability of ST.

ST and the ST logo are trademarks or registered trademarks of ST in various countries.

Information in this document supersedes and replaces all information previously supplied.

The ST logo is a registered trademark of STMicroelectronics. All other names are the property of their respective owners.

© 2008 STMicroelectronics - All rights reserved

STMicroelectronics group of companies

Australia - Belgium - Brazil - Canada - China - Czech Republic - Finland - France - Germany - Hong Kong - India - Israel - Italy - Japan - Malaysia - Malta - Morocco - Singapore - Spain - Sweden - Switzerland - United Kingdom - United States of America

www.st.com