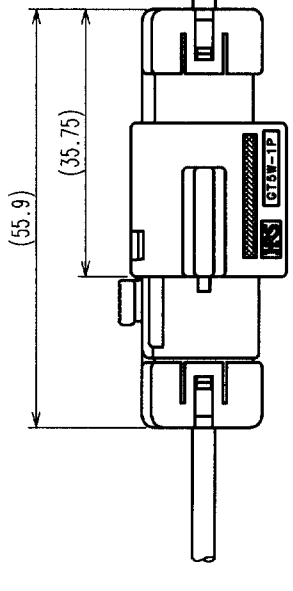
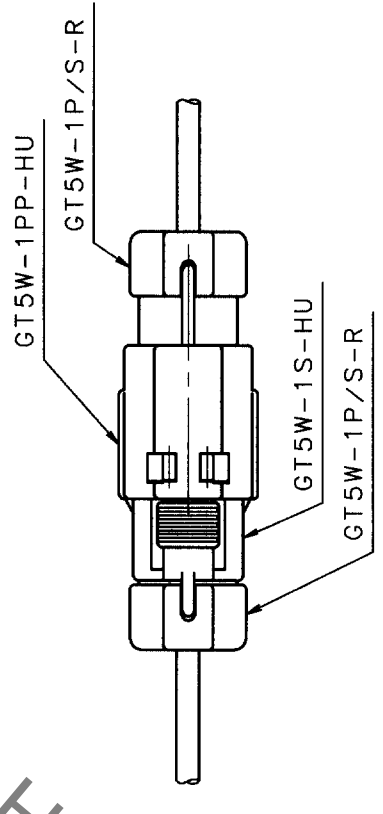
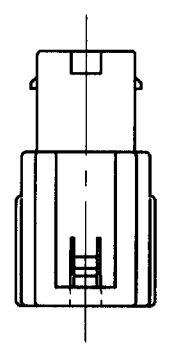
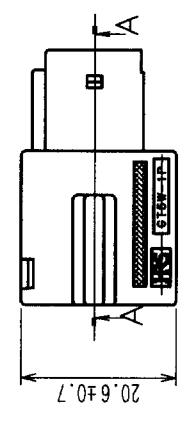
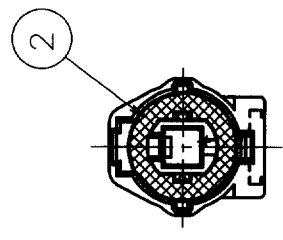
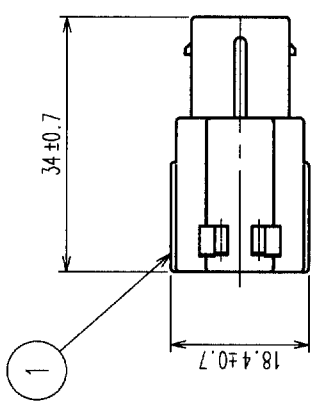


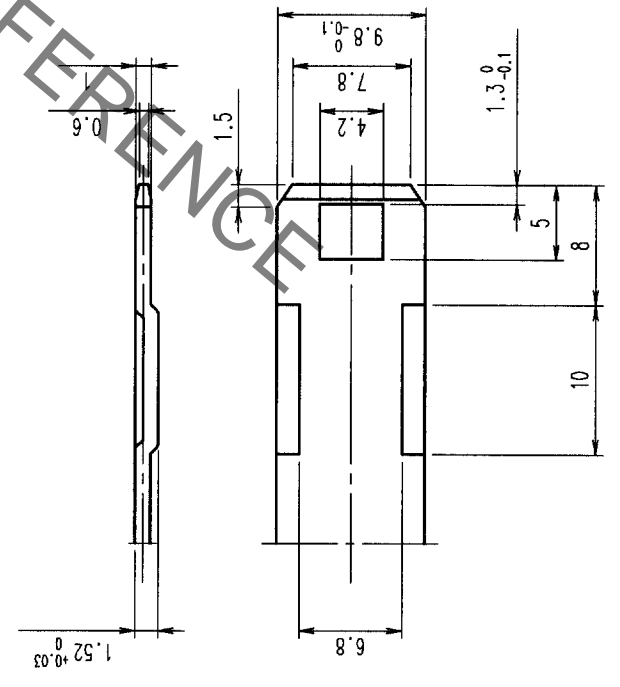
NO.	DESCRIPTION OF REVISIONS	BY	CHKD	DATE	COUNT	DESCRIPTION OF REVISIONS	BY	CHKD	DATE
△					△				
△					△				
△					△				

NOTE1. A SUITABLE RETAINER FOR CABLE SIZE SHALL BE ASSEMBLED BEFORE USE.

HRS DRAWING FOR REFERENCE



MATED CONNECTORS



DETAIL OF RECOMMENDED FITTING PLATE(2:1)

NO.	PBT	MATERIAL	FINISH, REMARKS	NO.	SILICONE RUBBER	WHITE
1		LIGHT GRAY		2		
CODE NO. (OLD)		FINISH, REMARKS		MATERIAL		FINISH, REMARKS
CL						
DRAWN		DESIGNED		CHECKED		APPROVED
S.KURIYA		S.KURIYA		M. Ohno		K. Sato
'02.10.15		'02.10.15		'02.10.18		'02.10.18
DRAWING NO.			PART NO.			
EDC3-165492			GT5W-1PP-HU			
SCALE			CODE NO.			
1 : 1			CL755-0070-1			
UNITS			HRS			
mm			HIROSE ELECTRIC CO., LTD			

TO			
----	--	--	--