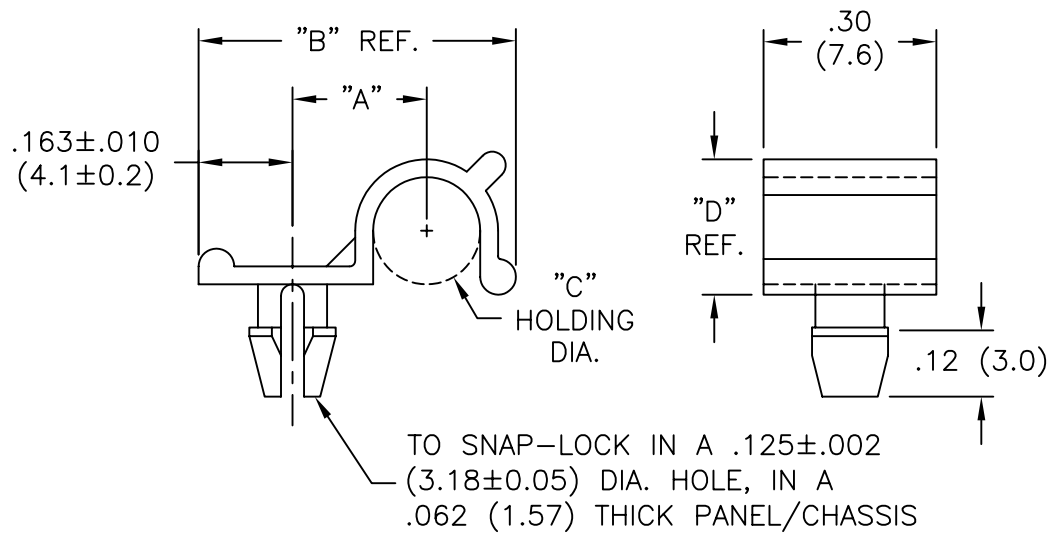


PART NO.	"A"±.010 (±0.25)	"B" REF.	HOLDING "C" DIA.	"D" REF.
HURC-2-01	.20 (5.1)	.49 (12.4)	1/8 (3.2)	.17 (4.3)
HURC-3-01	.24 (6.1)	.56 (14.2)	3/16 (4.8)	.24 (6.1)
HURC-4-01	.27 (6.9)	.62 (15.7)	1/4 (6.4)	.30 (7.6)



NOTES:

- MAT'L: NYLON 6/6 (RMS-01).
FLAME RETARDANT, NYLON (RMS-19).
AVAILABLE BY SPECIAL ORDER ONLY.
- COLOR: NATURAL.

TITLE: HALF "U" ROUTING CLIP			DWG IN IN (MM)		FINAL	
TOLERANCES UNLESS NOTED .XX=±.010 .XXX=±.005 FRAC=±1/64 ANG=±1°	FILE # HURC-X	DWN: P.B.	APP:	PART #		PRINT TYPE
	MAT'L: SEE NOTES	DT: 05-31-95	DT:	SEE TABLE		CA
	RE: RICHCO INC.	RICHCO INC. PO BOX 804238, CHICAGO, 60680 (773) 539-4060				
C	CHANGED FILE NUMBER	SM 06.16.02				
B	MAT'L RMS-19 ADDED	J.L. 12.29.97				
A	CONVERTED TO ACAD	PB 05.31.95				
REV	DESCRIPTION	ENGR DATE				