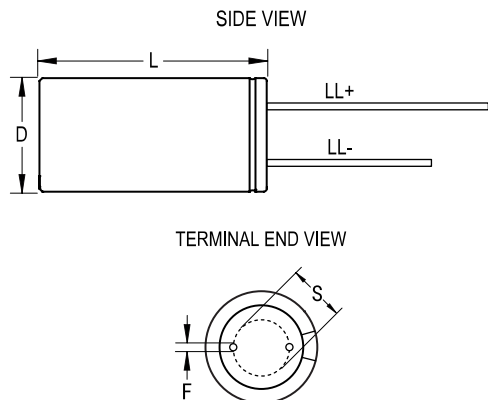


ESC, Aluminum Electrolytic, 470 uF, 20%, 35 VDC, -40/+105°C, Lead Spacing = 5mm



Dimensions	
D	10mm +/-0.5mm
L	20mm +2mm
S	5mm +/-0.5mm
LL Negative	15mm MIN
LL Positive	20mm MIN
F	0.6mm NOM

Packaging Specifications	
Packaging:	Bulk, Bag
Packaging Quantity:	2400

General Information	
Series:	ESC
Dielectric:	Aluminum Electrolytic
Description:	LowESR Single Ended Aluminum Electrolytic
Features:	Low ESR
RoHS:	Yes
Lead:	Wire Leads
AEC-Q200:	No

Specifications	
Capacitance:	470 uF
Capacitance Tolerance:	20%
Voltage DC:	35 VDC, 44 VDC (Surge)
Temperature Range:	-40/+105°C
Rated Temperature:	105°C
Life:	3000 Hrs
Dissipation Factor:	12%
Resistance:	0.039 Ohms (100kHz)
Ripple Current:	1300 mAmps (100kHz 105C)
Leakage Current:	164 uA (2min 20°C)
Impedance Ratio at -25C:	3
Impedance Ratio at -40C:	4