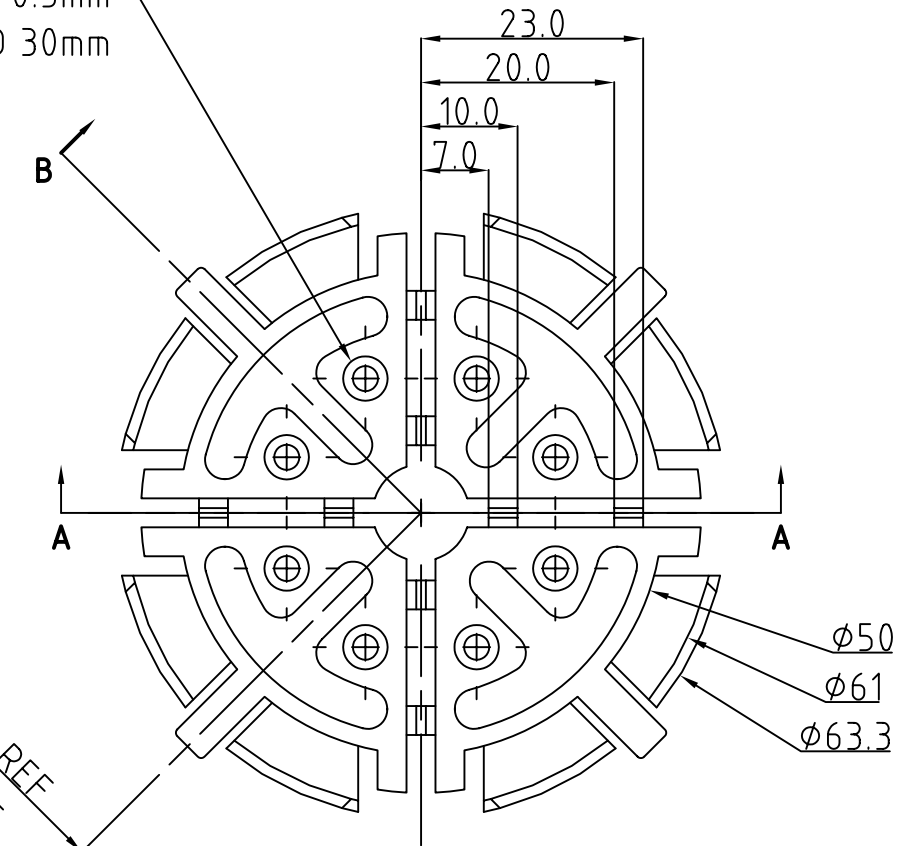
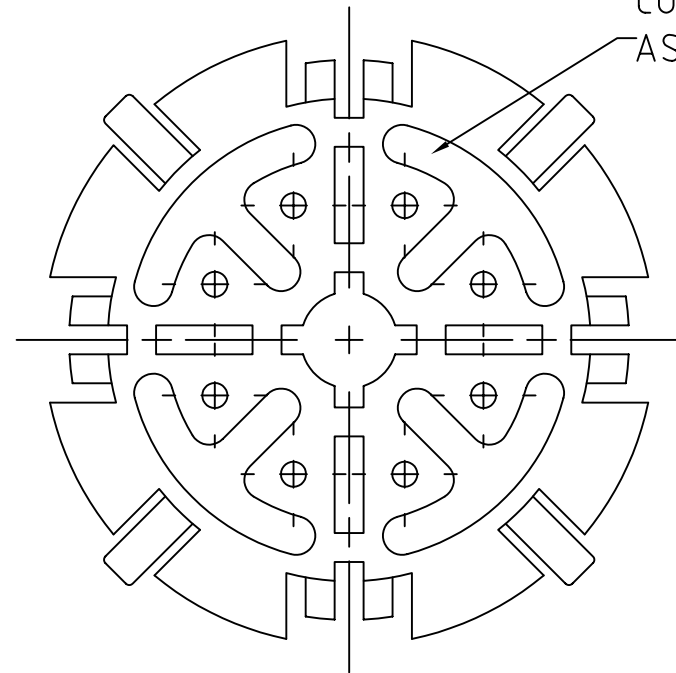


REV	DESCRIPTION	DATE	APPROVED
1	INITIAL ISSUE	31 01 96	JWH
2	MATL CHANGE (DELTRIN TO NYLON 6)	30 06 97	CN00165
3	MATERIAL SPEC CHANGE	19 04 99	CN00206
4	NOTES ADDED	02 09 99	CDD
5	MATERIAL SPEC CHANGE	19 12 01	CN10
6	NOTE ADDED RELATING 'P' TO APPROPRIATE PART NO.	18/12/02	DD130
7	DIMENSIONS CHANGED TO SUIT COMPONENT	07/01/05	DD338

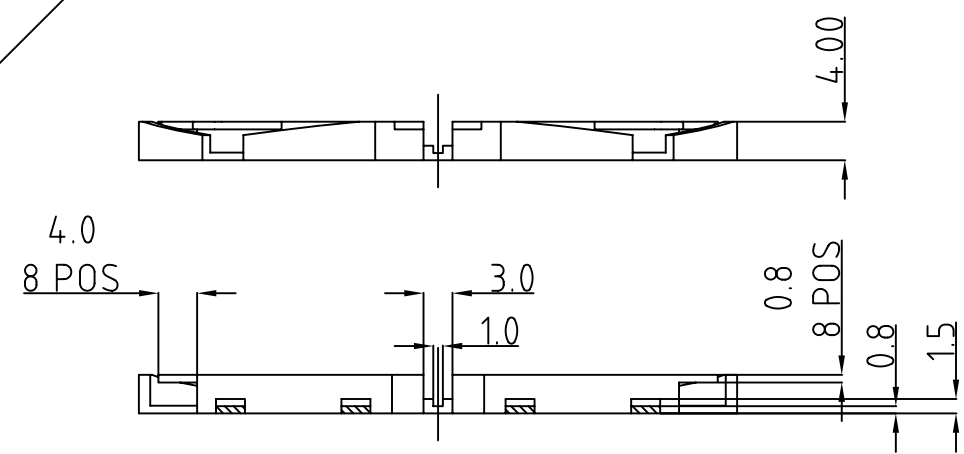
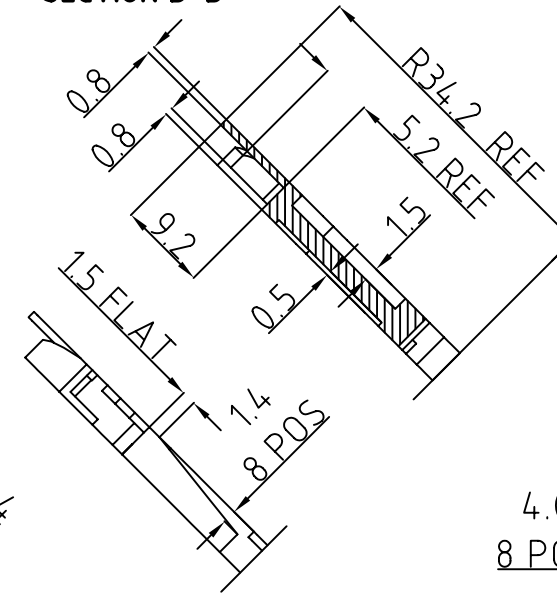
RICHCO ADDED RMS NO. 04/08/09

8 HOLES DIA 2.8mm,
C/SUNK DIA 4.6mm WITH 0.5mm
PARALLEL 90 DEG INCL ON PCD 30mm

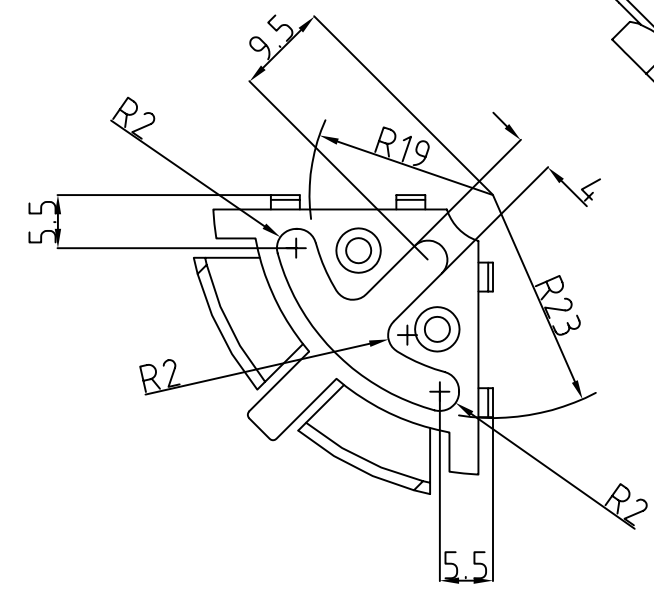
CUT OUT DIMENSIONS
AS FOR TOP SURFACE



SECTION B-B



SECTION A-A



MATERIAL NOTES: RMS-390

F.R. Nylon 6 Radiflam SAE100 or equivalent.

No short shots or incomplete mouldings will be accepted.

If a letter 'P' and 'EFA04 04 001' are moulded in the part no is

NOTES: EFA04 04 101. 'P' indicates Polycarbonate. See appropriate drawing.

MATERIAL	SEE NOTE	DESCRIPTION
FINISH	FLASH FREE	25mm RADIUS FIBRE REEL
ICE No:	1555	

EUROPLUS AND EUROPLUS TECHNOLOGIES ARE TRADEMARKS OF EGIDE UK LIMITED.		GEN TOLS 0 = ±0.5 0.0 = ±0.5 0.00 = ±0.1	EGIDE	EGIDE UK LTD Egide House, Thompson Drive, Benlomas Park, Rendlesham, Suffolk, IP12 2TW. Tel: (01394) 445100 Fax: (01394) 445109
DRAWN	CDD	DATE	30 05 99	DWG No
CHKD	DJD	DATE	30 05 99	EFA04 04 001
FILE NAME	EFA04 04 001.R5	SCALE	ALL DIMS IN MM UNLESS STATED	SHEET 1 of 1
DO NOT SCALE DRAWING			REV.	7