

| Part Number | Description |
|-------------|-------------|
|-------------|-------------|

[CAT-20-PP](#)

Installation Tool For SHR-20,Orange



| PART NO.  | "A" REF.   | MAX. BUNDLE DIA. "B" | TO BE USED WITH | FIGURE NO. |
|-----------|------------|----------------------|-----------------|------------|
| CAT-05-PP | 2.09 (53)  | .24 (6)              | SHR-05-YYY*     | 2          |
| CAT-08-PP | 2.80 (71)  | .37 (9.5)            | SHR-08-YYY*     | 1          |
| CAT-15-PP | 3.19 (81)  | .63 (16)             | SHR-15-YYY*     |            |
| CAT-20-PP | 3.94 (100) | .79 (20)             | SHR-20-YYY*     |            |
| CAT-25-PP | 4.45 (113) | .96 (24.5)           | SHR-25-YYY*     |            |
| CAT-32-PP | 5.67 (144) | 1.22 (31)            | SHR-32-YYY*     |            |

\*YYY-SHR MATERIAL

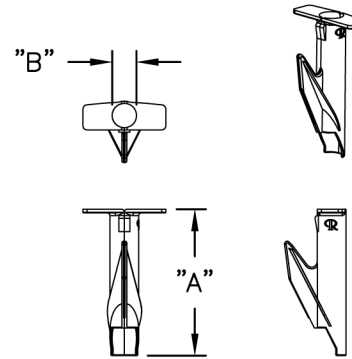
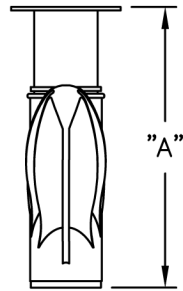
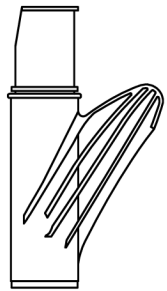
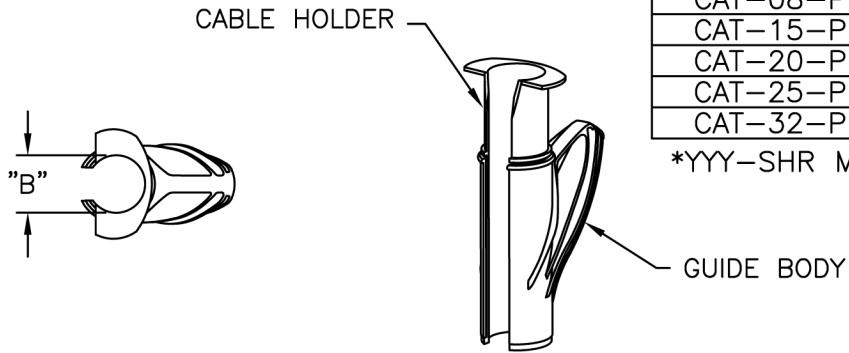


FIGURE 1.  
 MATERIAL: A) GUIDE BODY: -POLYPROPYLENE (RMS-268); COLOR: ORANGE.  
 B) CABLE HOLDER - POLYACETAL (RMS-267), COLOR: WHITE

FIGURE 2.  
 MATERIAL: POLYPROPYLENE (RMS-150); COLOR: BLUE.

NOTES:

- FIGURE 1. TOOL AVAILABLE IN BULK PACKAGES OF 100/BOX. TO ORDER ADD "-BU" TO THE PART NO.
- CAT-20, "-25" AND "-32" AVAILABLE IN GLASS FILLED NYLON (RMS-253) FOR HEAVY DUTY APPLICATION. TO ORDER, REPLACE "-PP" WITH "-IX"; COLOR: BLUE.

| TITLE: CABLE APPLICATOR TOOL  |                           |              | DWG IN IN (MM) |           | FINAL |            |
|---|---------------------------|--------------|----------------|-----------|-------|------------|
| TOLERANCES UNLESS NOTED<br>.XX=±.010<br>.XXX=±.005<br>FRAC=±1/64<br>ANG=±1' | FILE # CAT                | DWN: SM      | APP:           | PART #    |       | PRINT TYPE |
|   | MAT'L: SEE NOTES          | DT: 03.01.02 | DT:            | SEE TABLE |       | CA         |
|   | RE: RICHCO, INC.          | RICHCO INC.  |                |           |       |            |
| C   | SEE CO 200219 FOR CHANGES | SK 07.21.08  |                |           |       |            |
| B   | SEE ECN #1319 FOR CHANGES | SK 04.19.07  |                |           |       |            |
| A   | REDRAWN FROM RICHCO UK    | SM 03.01.02  |                |           |       |            |
| REV   | DESCRIPTION               | ENGR DATE    |                |           |       |            |