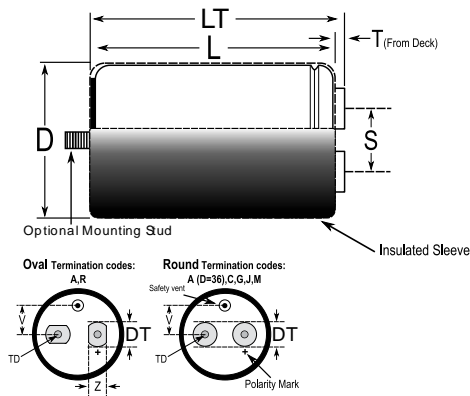


KEMET Part Number: ALS30A682NP400
(A331TS682M400A)

Capacitor, aluminum, 6800 uF, +/-20% Tol, -40/+85C, 400VDC@85° C



Dimensions (mm)		
Symbol	Dimension	Tolerance
D	77	+/-1
L	146	+/-2
LT	150.5	+/-1
S	31.8	+/-0.5
T	5.5	+/-0.5
TD	10	MIN
DT	13	+/-0.5
V	19	NOM
Z	10	NOM

Notes:
-Dimensions D and L include sleeving

General Information	
Supplier:	KEMET
Part Type Description:	Computer Grade Aluminum Electrolytic
Style:	Computer Grade
Lead Type:	Oval Threaded Inserts- M5
Mounting Type:	Clip- V11
Weight:	960 g

Specifications	
Capacitance:	6800 uF
Tolerance:	+/-20%
Rated Temperature:	85° C
Voltage @ rated temp:	400VDC
VDC Surge:	440VDC
Transient Voltage:	520V
Life @ rated temp:	20000 Hrs
RoHS:	Yes
Low Z/ESR:	Yes
Temperature Range:	-40/+85C
ESR at 100Hz @ room temp:	27 mOhm
Leakage Current:	6 mA
Leakage Condition:	5min/20c
Impedance @ 10kHz:	20 mOhm
Ripple 100Hz @ rated temp:	19.5 A
Ripple 10kHz @ rated temp:	26.9 A

Packaging Specifications	
Package Kind:	Bulk