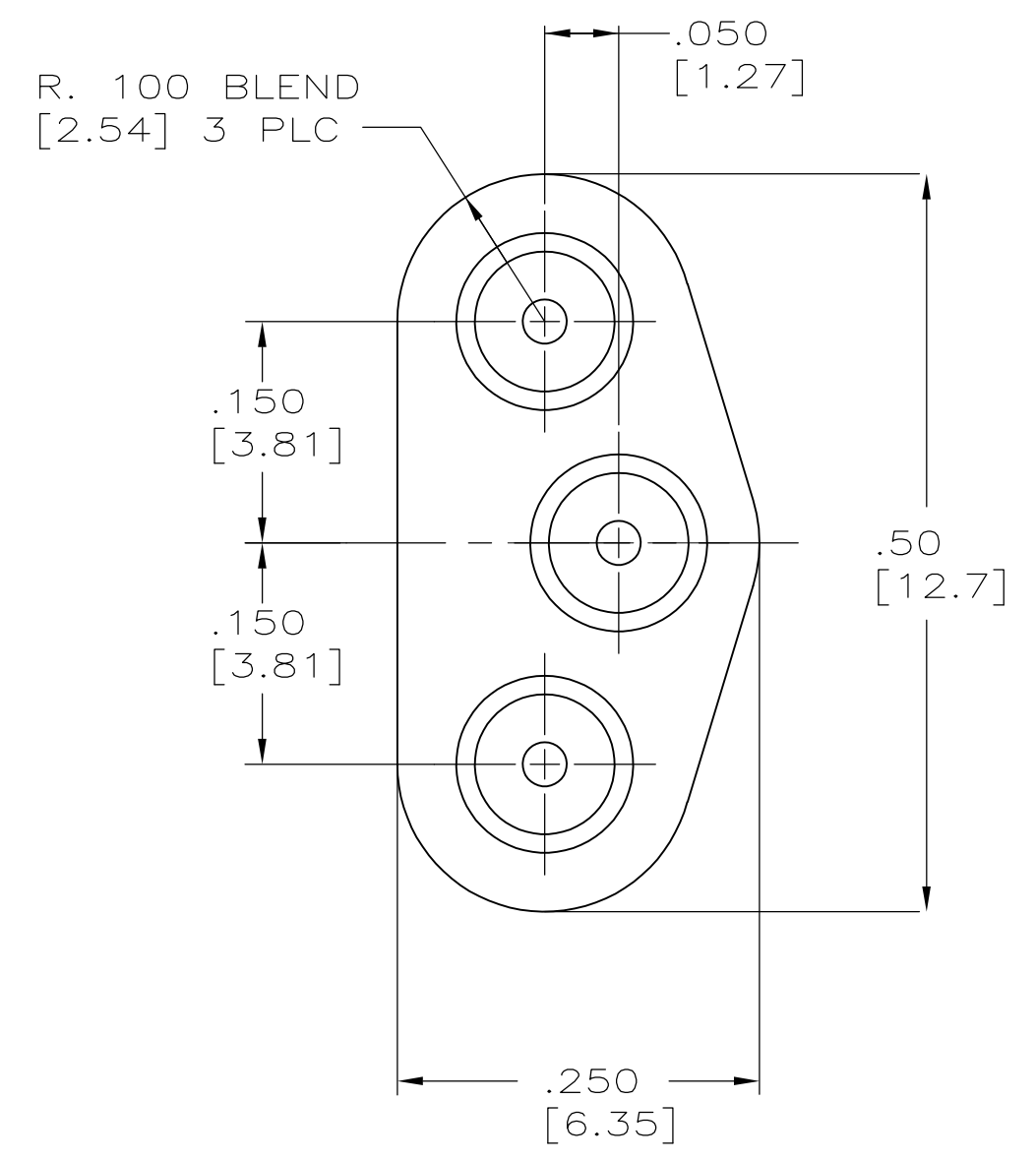
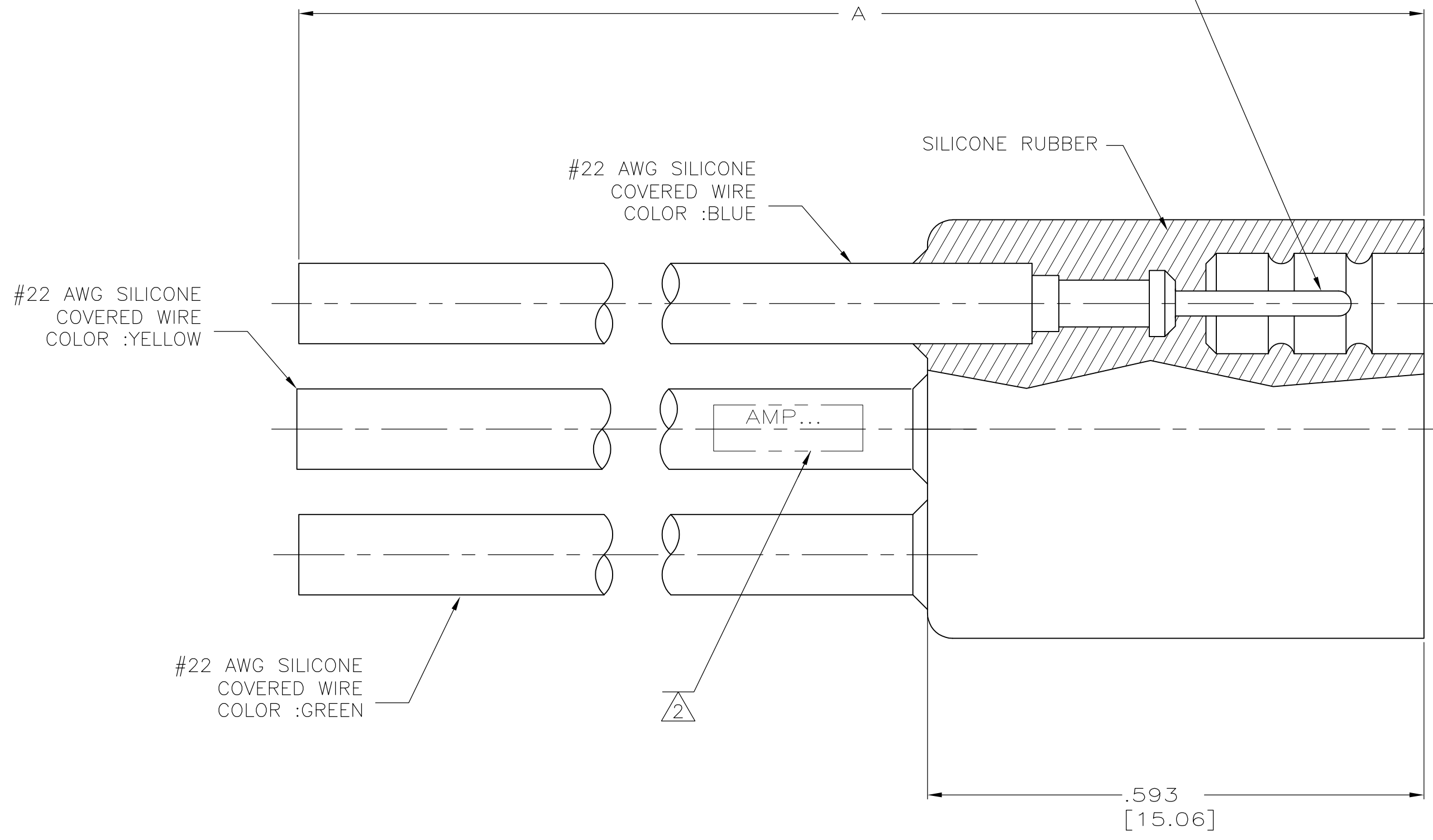


THIS DRAWING IS UNPUBLISHED. RELEASED FOR PUBLICATION
 © COPYRIGHT - By - ALL RIGHTS RESERVED.

LOC		DIST		REVISIONS			
P	LTR	DESCRIPTION	DATE	DWN	APVD		
	J	REV PER ECO 0H14-0083-04	3-04	CT	DE		

PIN CONTACT
 MAT'L: BRONZE PER ASTM-B-140
 FINISH: GOLD PLATE PER MIL-G-45204
 OVER NICKEL PER QQ-N-290



- 1 TOLERANCE: UP TO 24.00 [609.6] = ±.12 [±3.0]
24.00 [609.6] & UP = ±1%
- 2 MARKED PER MIL-STD-130 IN APPROX. AREA SHOWN.

OBSOLETE	72.00 [1828.8]	862425-6
OBSOLETE	16.00 [406.4]	862425-5
	48.00 [1219.2]	862425-4
	24.00 [609.6]	862425-3
	18.00 [457.2]	862425-2
	12.00 [304.8]	862425-1
	DIM A 1	PART NO

THIS DRAWING IS A CONTROLLED DOCUMENT.		DWN	C.C.THOMAS	1-29-99	 TE Connectivity																		
DIMENSIONS: INCHES [mm]		CHK	D.EABY	1-29-99																			
TOLERANCES UNLESS OTHERWISE SPECIFIED:		APVD	D.EABY	1-29-99																			
<table border="0"> <tr><td>0 PLC</td><td>±</td><td>-</td></tr> <tr><td>1 PLC</td><td>±</td><td>-</td></tr> <tr><td>2 PLC</td><td>±</td><td>.01 [0.3]</td></tr> <tr><td>3 PLC</td><td>±</td><td>.005 [0.13]</td></tr> <tr><td>4 PLC</td><td>±</td><td>-</td></tr> <tr><td>ANGLES</td><td></td><td>± -</td></tr> </table>		0 PLC	±	-		1 PLC	±	-	2 PLC	±	.01 [0.3]	3 PLC	±	.005 [0.13]	4 PLC	±	-	ANGLES		± -	PRODUCT SPEC	-	NAME
0 PLC	±	-																					
1 PLC	±	-																					
2 PLC	±	.01 [0.3]																					
3 PLC	±	.005 [0.13]																					
4 PLC	±	-																					
ANGLES		± -																					
MATERIAL	SEE CALLOUTS	FINISH	SEE CALLOUTS	WEIGHT	-	SIZE	A2	CAGE CODE	00779	DRAWING NO	C=862425	RESTRICTED TO	-										
CUSTOMER DRAWING		SCALE		8:1	SHEET	1 of 1	REV	J															