

Type 3 surge protection plug - PT 2-PE/S-230AC-ST - 2839347

Please be informed that the data shown in this PDF Document is generated from our Online Catalog. Please find the complete data in the user's documentation. Our General Terms of Use for Downloads are valid (<http://phoenixcontact.com/download>)



Type 3 arrester replacement plug (device protection) for 1-phase power supply networks with separate N and PE (3-conductor system: L1, N, PE).

Product Features

- ✓ Plugs can be checked with CHECKMASTER
- ✓ Tool-free plug replacement
- ✓ With floating remote indication contact
- ✓ Optical signaling of disconnection via LED
- ✓ Consists of base element and plug
- ✓ DIN rail module
- ✓ For single and multi-phase power supply units



Key commercial data

Packing unit	1 pc
Weight per Piece (excluding packing)	26.03 GRM
Custom tariff number	85363090
Country of origin	Germany

Technical data

Dimensions

Height	45 mm
Width	17.7 mm
Depth	52 mm
Horizontal pitch	1 Div.
Complete module height	90 mm
Complete module width	17.7 mm

Type 3 surge protection plug - PT 2-PE/S-230AC-ST - 2839347

Technical data

Dimensions

Complete module depth	65.5 mm
-----------------------	---------

Ambient conditions

Degree of protection	IP20
Ambient temperature (operation)	-40 °C ... 85 °C (non-EX)
	-40 °C ... 80 °C (Class I Div. 2 Gr. A, B, C, D)

General

Housing material	PA 6.6
Inflammability class according to UL 94	V0
Color	black
Standards for air and creepage distances	DIN VDE 0110-1
	IEC 60664-1
Surge voltage category	III
Pollution degree	2
Type	Plug component
Mounting type	On base element
Number of positions	2
Arrester can be tested with CHECKMASTER from software version:	From SW rev. 1.00
Direction of action	1L-N & N-PE

Protective circuit

IEC test classification	III
	T3
EN type	T3
Nominal voltage U_N	230 V AC
Arrester rated voltage U_C	253 V AC
Nominal frequency f_N	50 Hz
	60 Hz
Nominal current I_N	26 A (30 °C)
Residual current I_{PE}	$\leq 2.5 \mu\text{A}$
Nominal discharge current I_n (8/20) μs	3 kA
	3 kA (in acc. with UL 1449)
Combined surge U_{OC}	6 kV
Voltage protection level U_p (L-N)	$\leq 1.1 \text{ kV}$
Voltage protection level U_p (L-PE)	$\leq 1.5 \text{ kV}$
Voltage protection level U_p (N-PE)	$\leq 1.5 \text{ kV}$
Residual voltage at I_n , (L-N)	$\leq 1.1 \text{ kV}$

Type 3 surge protection plug - PT 2-PE/S-230AC-ST - 2839347

Technical data

Protective circuit

Residual voltage at In, (L-PE)	≤ 600 V
Residual voltage at In, (N-PE)	≤ 600 V
Response time t_A (L-N)	≤ 25 ns
Response time t_A (L-PE)	≤ 100 ns
Response time t_A (N-PE)	≤ 100 ns
Max. required back-up fuse	25 A (gL)
	25 A (MCB 25 A B/C)
Short-circuit resistance I_p with max. backup fuse (effective)	1.5 kA
Surge protection fault message	Optical

Standards and Regulations

Standards/specifications	IEC 61643-1 2005
	EN 61643-11/A11 2007
	UL 1449 ed. 2

Classifications

eCl@ss

eCl@ss 4.0	27140201
eCl@ss 4.1	27130801
eCl@ss 5.0	27130801
eCl@ss 5.1	27130801
eCl@ss 6.0	27130806
eCl@ss 7.0	27130806
eCl@ss 8.0	27130806

ETIM

ETIM 2.0	EC000942
ETIM 3.0	EC000942
ETIM 4.0	EC000942
ETIM 5.0	EC000942

UNSPSC

UNSPSC 6.01	30212010
UNSPSC 7.0901	39121610
UNSPSC 11	39121610
UNSPSC 12.01	39121610
UNSPSC 13.2	39121620

Type 3 surge protection plug - PT 2-PE/S-230AC-ST - 2839347

Approvals

Approvals

Approvals


UL Recognized / KEMA-KEUR / ÖVE / cUL Recognized / GOST / CSA / CCA / IEC EE CB Scheme / cULus Recognized

Ex Approvals

UL Recognized / cUL Recognized / cULus Recognized


Approvals submitted

Approval details

UL Recognized 

KEMA-KEUR 

ÖVE 

cUL Recognized 

GOST 

CSA

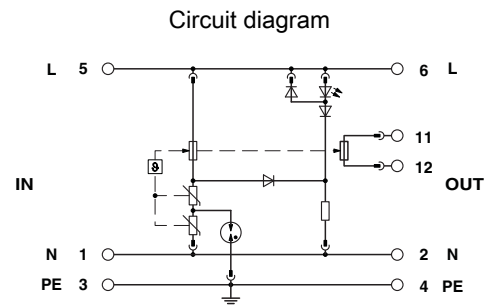
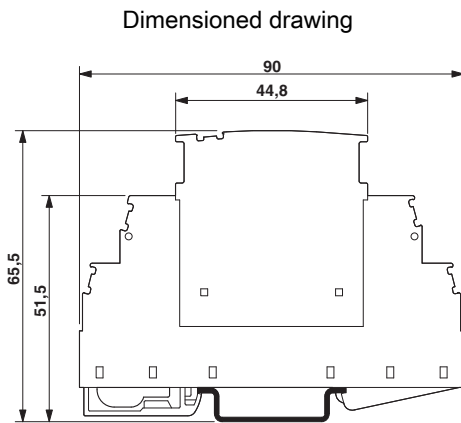
CCA

Type 3 surge protection plug - PT 2-PE/S-230AC-ST - 2839347

Approvals



Drawings



The circuit diagram shows the complete module, consisting of a base element and connector

The figure shows the complete module consisting of a base element and connector