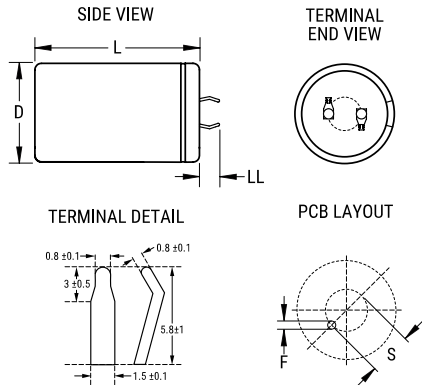


ELG, Aluminum Electrolytic, 68 uF, 20%, 400 VDC, -25/+105°C



| General Information | |
|---------------------|--------------------------------|
| Series: | ELG |
| Dielectric: | Aluminum Electrolytic |
| Description: | Snap-In, Aluminum Electrolytic |
| RoHS: | Yes |
| Lead: | 2 Pin |
| AEC-Q200: | No |

| Dimensions | |
|------------|----------------|
| D | 22mm +1mm |
| L | 25mm +2mm |
| S | 10mm +/-0.5mm |
| LL | 5.8mm +/-1mm |
| F | 1.5mm +/-0.1mm |

| Specifications | |
|--------------------------|--------------------------|
| Capacitance: | 68 uF |
| Capacitance Tolerance: | 20% |
| Voltage DC: | 400 VDC, 450 VDC (Surge) |
| Temperature Range: | -25/+105°C |
| Rated Temperature: | 105°C |
| Life: | 2000 Hrs |
| Dissipation Factor: | 15% 120Hz 20C |
| Resistance: | 852 mOhms (20kHz) |
| Ripple Current: | 500 mAmps (120Hz) |
| Leakage Current: | 500 uA (5min 20°C) |
| Impedance Ratio at -25C: | 4 |

| Packaging Specifications | |
|--------------------------|-----------|
| Packaging: | Bulk, Bag |
| Packaging Quantity: | 400 |

Statements of suitability for certain applications are based on our knowledge of typical operating conditions for such applications, but are not intended to constitute - and we specifically disclaim - any warranty concerning suitability for a specific customer application or use. This Information is intended for use only by customers who have the requisite experience and capability to determine the correct products for their application. Any technical advice inferred from this Information or otherwise provided by us with reference to the use of our products is given gratis, and we assume no obligation or liability for the advice given or results obtained.