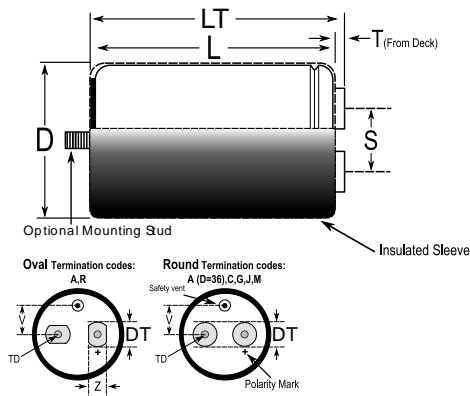


KEMET Part Number: ALS30A222NP500
(A331TS222M500A)



Capacitor, aluminum, 2200 uF, +/-20% Tol, -40/+85C, 500VDC@85° C



Dimensions (mm)		
Symbol	Dimension	Tolerance
D	77	+/-1
L	146	+/-2
LT	150.5	+/-1
S	31.8	+/-0.5
T	5.5	+/-0.5
TD	10	MIN
DT	13	+/-0.5
V	19	NOM
Z	10	NOM

Notes:
-Dimensions D and L include sleeving

General Information	
Supplier:	KEMET
Part Type Description:	Computer Grade Aluminum Electrolytic
Style:	Computer Grade
Lead Type:	Oval Threaded Inserts- M5
Mounting Type:	Clip- V11
Weight:	960 g

Specifications	
Capacitance:	2200 uF
Tolerance:	+/-20%
Rated Temperature:	85° C
Voltage @ rated temp:	500VDC
VDC Surge:	550VDC
Transient Voltage:	600V
Life @ rated temp:	20000 Hrs
RoHS:	Yes
Low Z/ESR:	Yes
Temperature Range:	-40/+85C
ESR at 100Hz @ room temp:	62 mOhm
ESR at 120Hz @ room temp:	60 mOhm
ESR at 100kHz @ room temp:	44 mOhm
Leakage Current:	6 mA
Leakage Condition:	5min/20c
Impedance @ 10kHz:	44 mOhm
Impedance @ 100kHz:	46 mOhm
Ripple 100Hz @ rated temp:	14.3 A
Ripple 10kHz @ rated temp:	21.8 A

Packaging Specifications	
Package Kind:	Bulk

Statements of suitability for certain applications are based on our knowledge of typical operating conditions for such applications, but are not intended to constitute - and we specifically disclaim - any warranty concerning suitability for a specific customer application or use. This Information is intended for use only by customers who have the requisite experience and capability to determine the correct products for their application. Any technical advice inferred from this Information or otherwise provided by us with reference to the use of our products is given gratis, and we assume no obligation or liability for the advice given or results obtained.



© 2006-2013 IntelliData.net