

THIS DRAWING IS UNPUBLISHED.

RELEASED FOR PUBLICATION

,19 .

© COPYRIGHT 19

BY AMP INCORPORATED. ALL RIGHTS RESERVED.

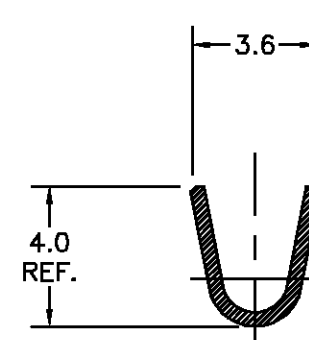
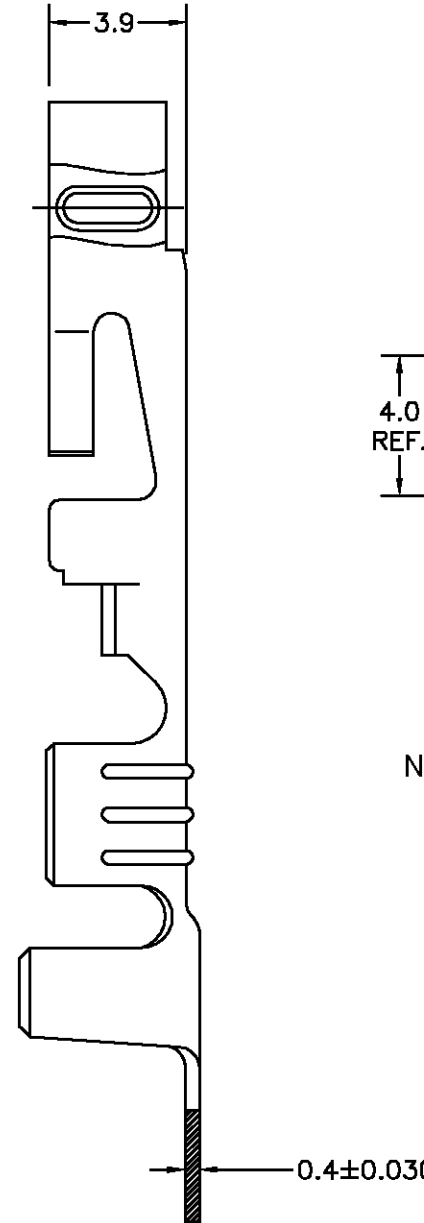
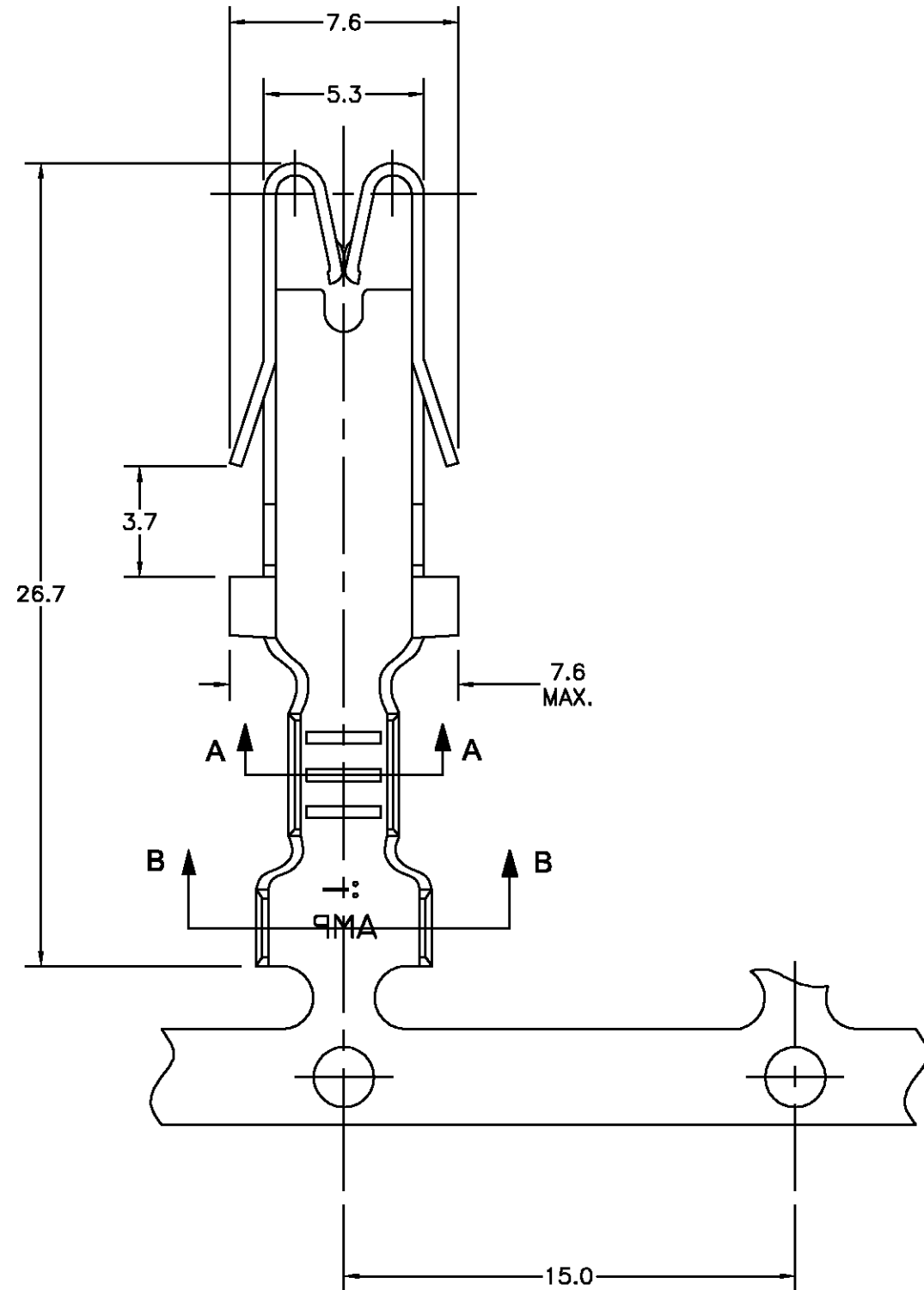
CAD
DO NOT REVISE
EXCEPT BY CAD

LOC
AP

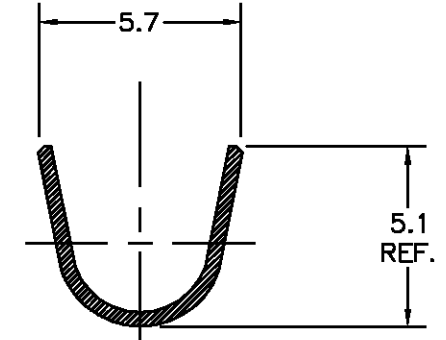
DIST
-

REVISIONS

P	LTR LT	DESCRIPTION DESCRIÇÃO	DATE DATA	DWN DES	APVD APR
F		REVISED BY ECLB0015/04	13APR04	AP	PLF
F1		REVISED PER ECO-09-026444	NOV09	KK	AEG



SECÇÃO A-A
SECTION A-A



SECÇÃO B-B
SECTION B-B

NOTE:

⚠ OBSOLETE PARTS: OBSOLETE CIS STREAMLINING
PER D.RENAUD/D.SINISI

WIRE RANGE 1,0 - 2,5 mm2	INSULATION RANGE ø 2,3- 3,5 mm	ESTANHADO / TIN PLATED ---/---	LATÃO / BRASS LATÃO / BRASS	626500-2 626500-1
THIS DRAWING IS A CONTROLLED DOCUMENT.		ACABAMENTO / FINISH	MATERIAL	PART NUMBER
DIMENSIONS: DIMENSÕES MM	TOLERANCES UNLESS OTHERWISE SPECIFIED: TOLERÂNCIA NCO ESPECIFICADAS	DWN/DES A.PERUSSI CHK/CH P.L.FARIA	AMP do BRASIL Ltda. São Paulo - Brasil	
	0 PLC/DEC ± - 1 PLC/DEC ± 0,3 2 PLC/DEC ± - 3 PLC/DEC ± - 4 PLC/DEC ± - ANGLES/ANGULARES ± 1°	APVD/APR L.W.PRADO	NAME DESIGNO	
		PRODUCT SPEC -	FUSE CONTACT	
MATERIAL	FINISH ACABAMENTO SEE TABLE	APPLICATION SPEC 114-37000	SIZE A3	CAGE CODE 00779
		WEIGHT -	DRAWING NO DESENHO NO 626500	RESTRICTED TO -
CUSTOMER DRAWING/DESENHO DE CLIENTE			SCALE ESCALA 5:1	SHEET FOLHA 1 OF 1
			REV F1	