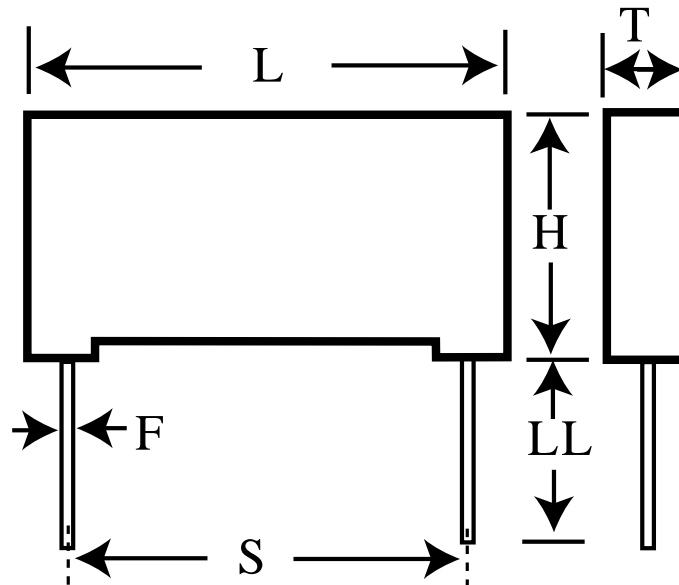


R463R422000M2K

aka 463R422000M2K

Capacitor, film, 2.2 uF, +/-10% Tol, -40/+110C, Safety: X2, 300VAC,
Lead Spacing=27.5 mm



Dimensions (mm)

Specifications

| ID | Dimension | Tolerance |
|----|-----------|-----------|
| L | 32 | +0.3 |
| H | 25 | +0.1 |
| T | 13 | +0.2 |
| S | 27.5 | +/-0.4 |
| LL | 4 | +2 |
| F | 0.8 | +/-0.05 |

| | |
|------------------------------------|-------------|
| Manufacturer: | KEMET |
| Brand: | Arcotronics |
| Capacitance: | 2.2 uF |
| Temperature Range: | -40/+110C |
| Rated Temperature: | 105C |
| Voltage @ rated temp: | 630V |
| Voltage AC: | 300VAC |
| Tolerance: | +/-10% |
| Body Type: | Radial Box |
| Construction: | Wound |
| Application: | Safety: X2 |
| Dissipation Factor @ 1 kHz: | 0.1% |
| Insulation Resistance: | 13.64 GOhm |
| Maximum dVdT: | 150v/us |
| UL_1283: | 310V |
| IEC_60384-14: | 275V |
| CSA_384-14: | 275V |
| CQC_GB/T 14472: | 275V |
| Package Kind: | Bulk |
| Package Type: | Bag |
| Package Quantity: | 480 |