

MI DRG. NO.

4192

4192G

REV.

G

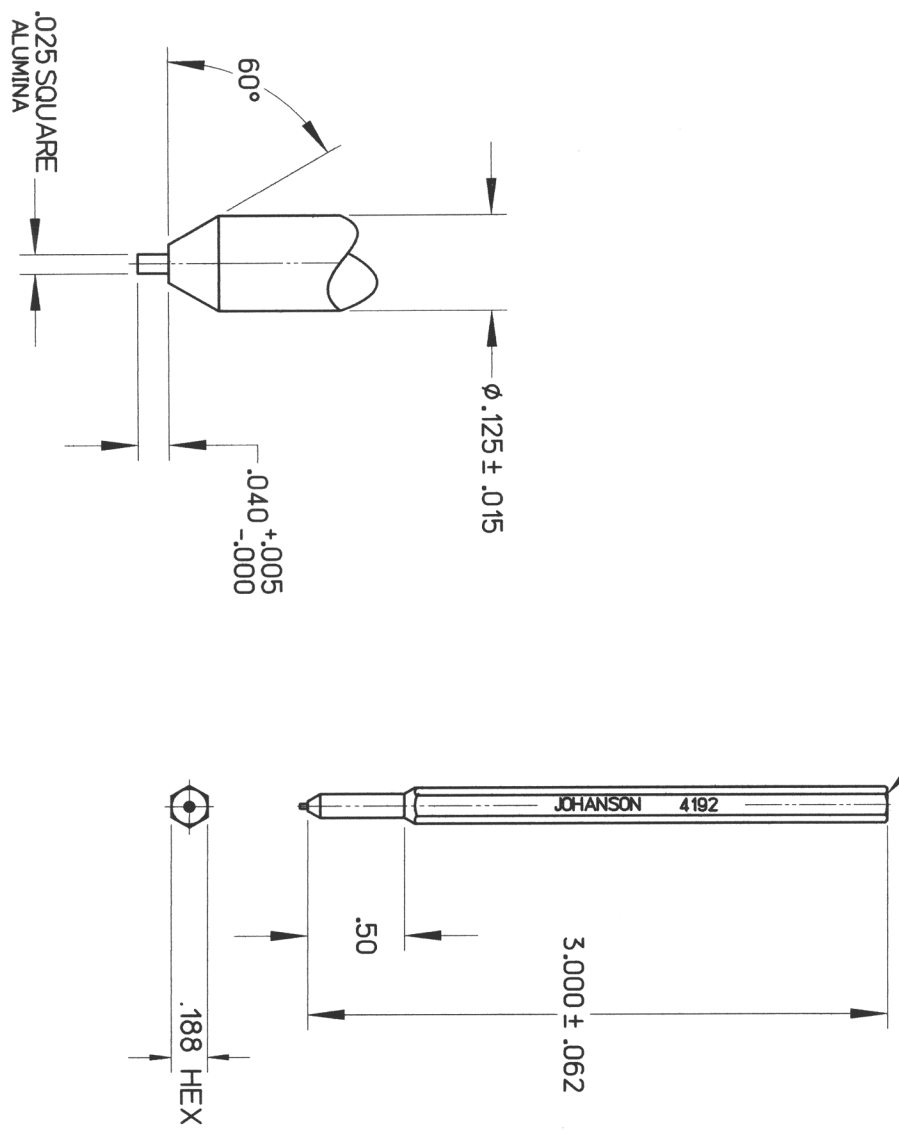
TUNING TOOL

NOTES

FILE: THINOUT

- 1. MATERIAL: DELRIN & ALUMINA
- 2. DIMENSIONS ARE IN INCHES.

HANDLE, YELLOW



LEVEL	DATE	DRN.	CHK.	APP.	ECN
REVISIONS					
G	03/16/00	-	-	-	000-108

DRN.	CHK.	APP.	SCALE
DATE	DATE	DATE	1" = 1"
TAM	M	[Signature]	1" = 1"
03/16/00	3/16/00	3/16/00	.XX ± .015 .XXX ± .005



JOHANSON MANUFACTURING CORPORATION
 ROCKAWAY VALLEY ROAD, BOONTON, N.J. 07005 (973)334-2676 FAX (973)334-2954
 ELECTRONIC ACCURACY THROUGH MECHANICAL PRECISION

PROPRIETARY INFORMATION CONTAINED NOT TO BE USED WITHOUT JOHANSON MANUFACTURING CORPORATION APPROVAL