

4

3

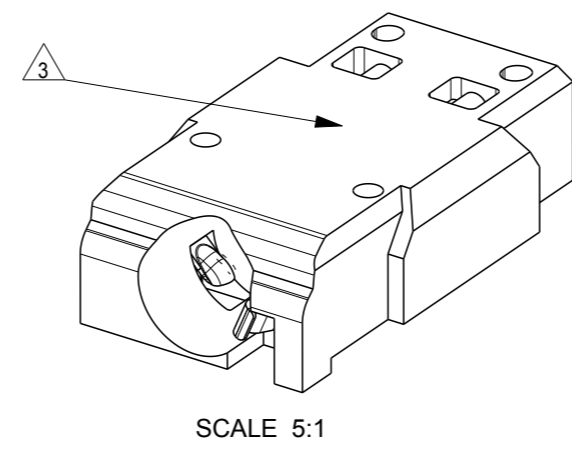
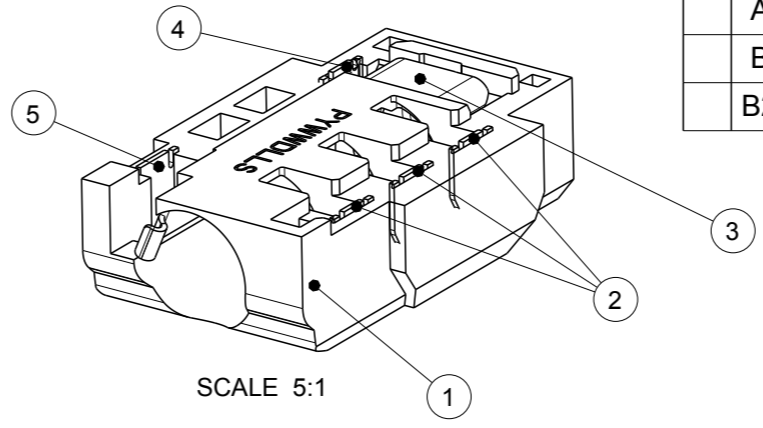
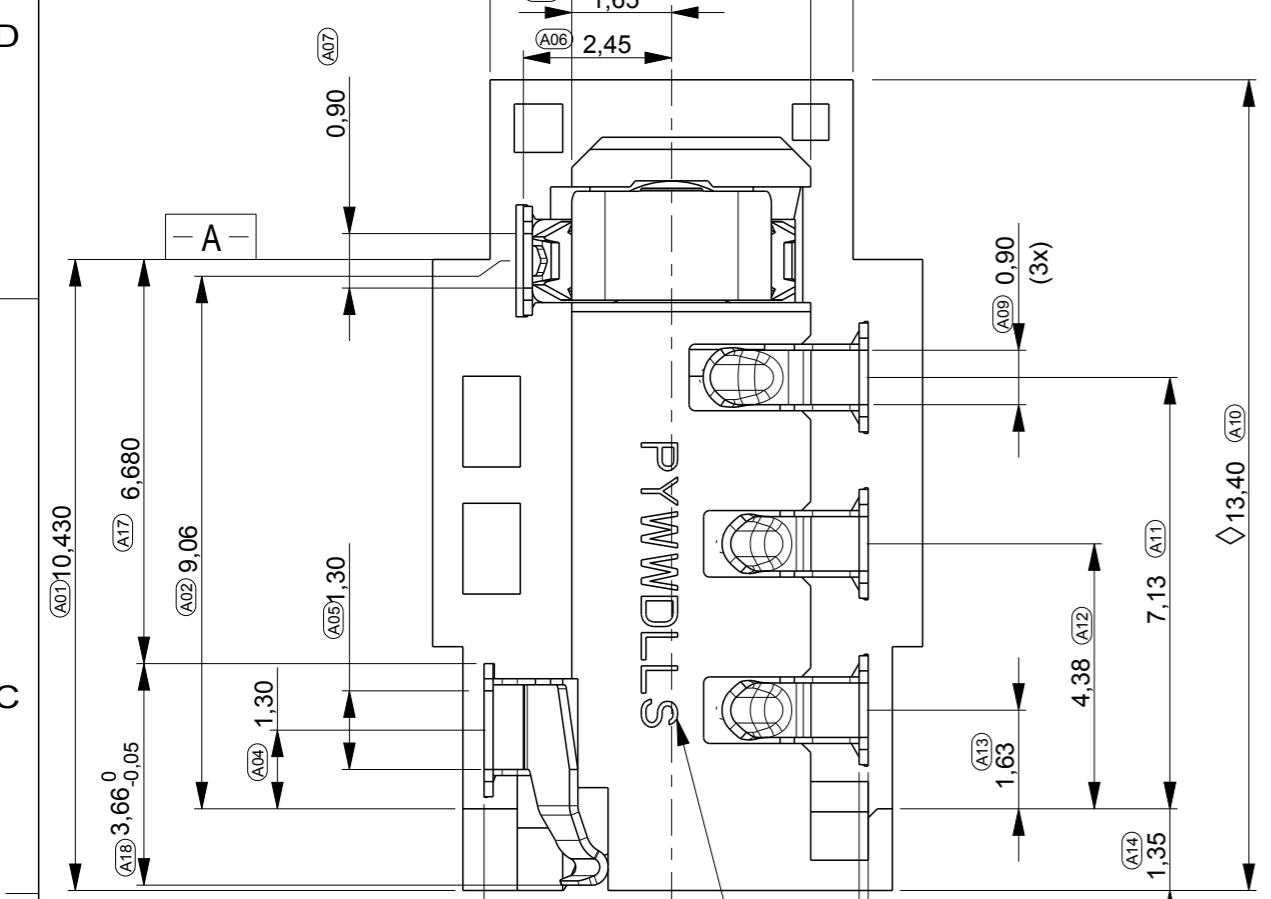
2

1

THIS DRAWING IS UNPUBLISHED. RELEASED FOR PUBLICATION  
© COPYRIGHT- BY TYCO ELECTRONICS CORPORATION. ALL RIGHTS RESERVED.

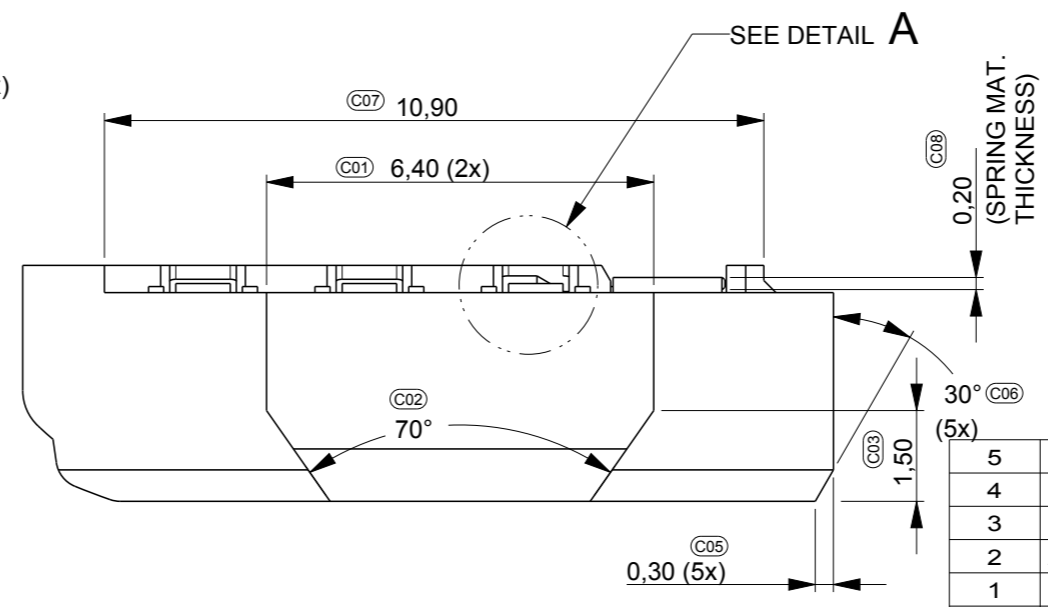
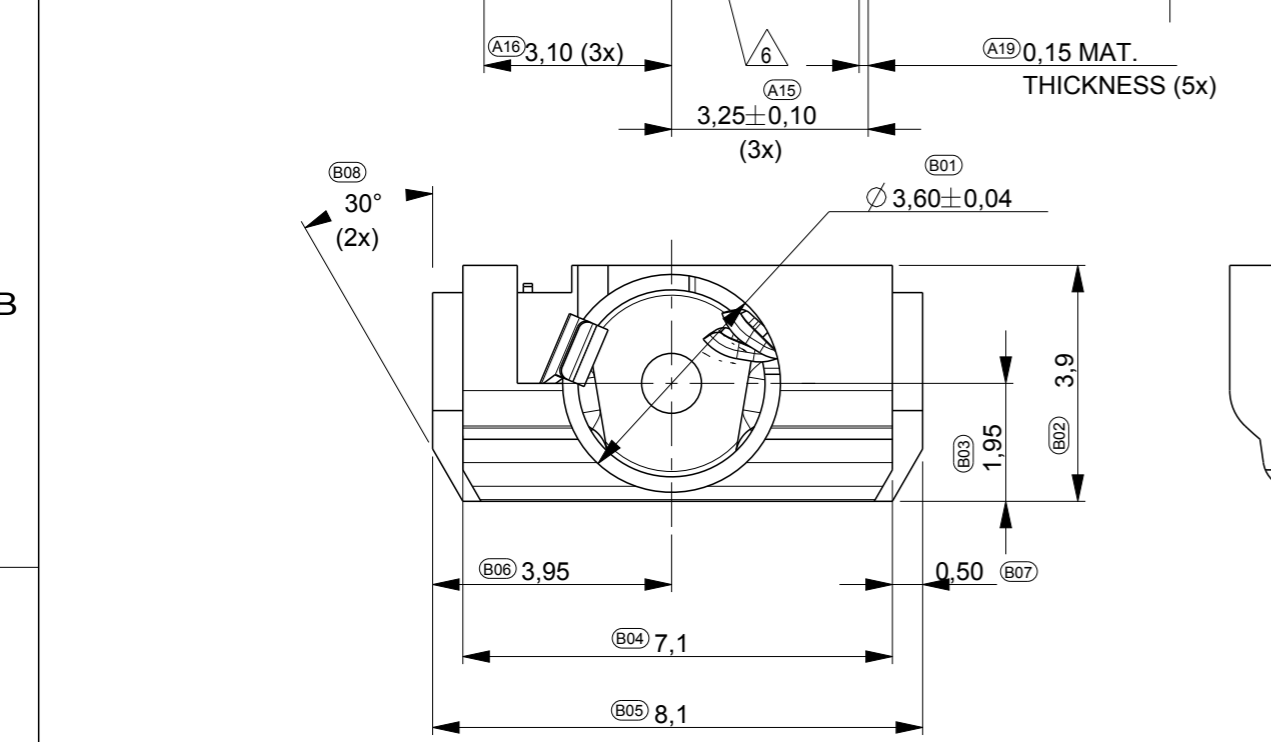
LOC H  
DIST -

REVISIONS					
P	LTR	DESCRIPTION	DATE	DWN	APVD
1		FIRST ISSUE	07FEB2014	MG	MW
A		ECR-14-008506	03JUL2014	RK	MG
B		ECR-14-010328	14JUL2014	RK	MG
B2		ECR-17-010180	19JUL2017	A.X	H.W



NOTES:

- 1 TE PART NUMBER 2173752-2 AS SHOWN.
- 2 COPLANARITY OF SOLDER SURFACES 0,08 MAX.
- 3 VACUUM PICK AND PLACE AREA. SEE ALSO SHEET 2
- 4 PLATING:  
UNDER LAYER: 2 µm MIN. NICKEL OVERALL  
CONTACT AREA: 0,1 µm MIN. GOLD OVER 0,3 µm MIN PdNi  
SOLDER AREA: 0.1 µm Goldflash
- 5 -
- 6 MARKING: P=PRODUCTION LOCATION, Y=YEAR, WW=WEEK, D=DAY, LL=PRODUCTION LINE, S=SHIFT.
- 7 PACKAGING IN EIA 481-D; 1700 PRODUCTS PER REEL  
REEL DIMENSION: 380 DIA.
- 8 PLATING: CONTACT AREA: 0,1 µm MIN. GOLD ON CONTACT TIP  
ALTERNATIVE: 0,1 µm MIN. GOLD OVER 1,3 µm MIN NICKEL



ITEM NO.	DESCRIPTION	MATERIAL	FINISH
5	SLEEVE CONTACT	CU ALLOY	NOTE 4
4	DETECTION CONTACT	CU ALLOY	NOTE 4
3	RETENTION SPRING CONTACT	STAINLESS STEEL	NOTE 8
2	AV SIGNAL CONTACTS	CU ALLOY	NOTE 4
1	HOUSING	PA	-



THIS DRAWING IS A CONTROLLED DOCUMENT.

DIMENSIONS:	TOLERANCES UNLESS OTHERWISE SPECIFIED:
mm	0 PLC ±0,20
	1 PLC ±0,10
	2 PLC ±0,05
	3 PLC ±0,025
	4 PLC ±
	ANGLES ±2°
MATERIAL -	FINISH -

DWN	07APR2014
M.Gosselink	
CHK	07APR2014
M.Gosselink	
APVD	07APR2014
M.Westen	
PRODUCT SPEC	108-19470
APPLICATION SPEC	114-19153
WEIGHT	0.33 gr

**TE** TE Connectivity

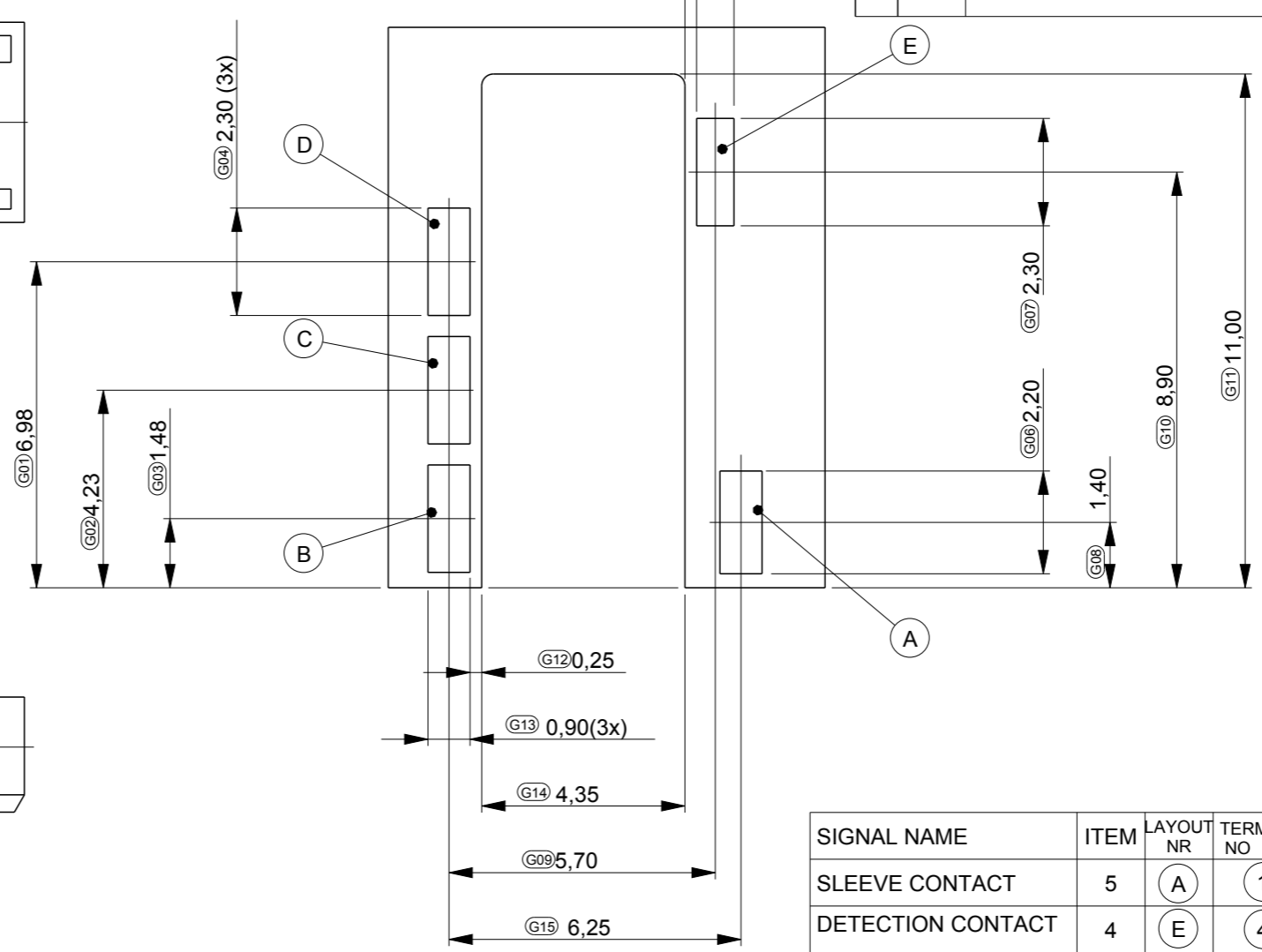
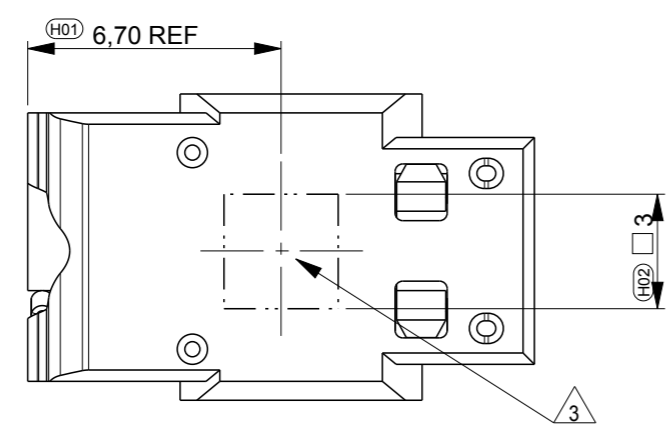
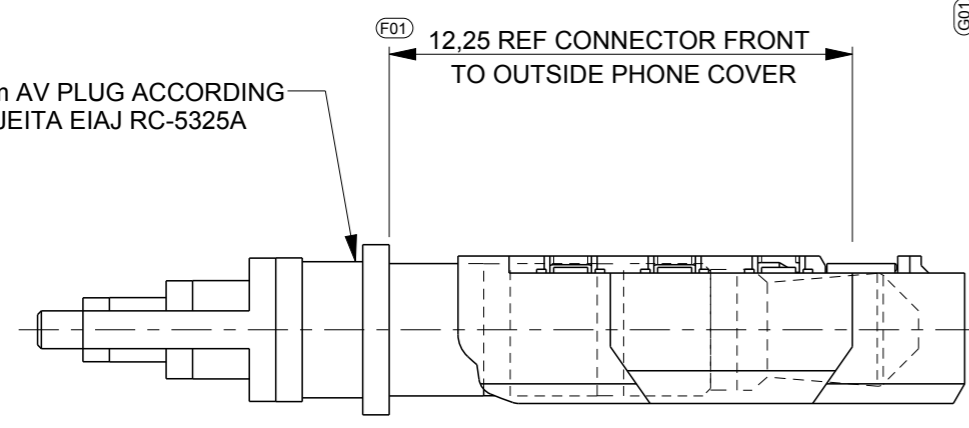
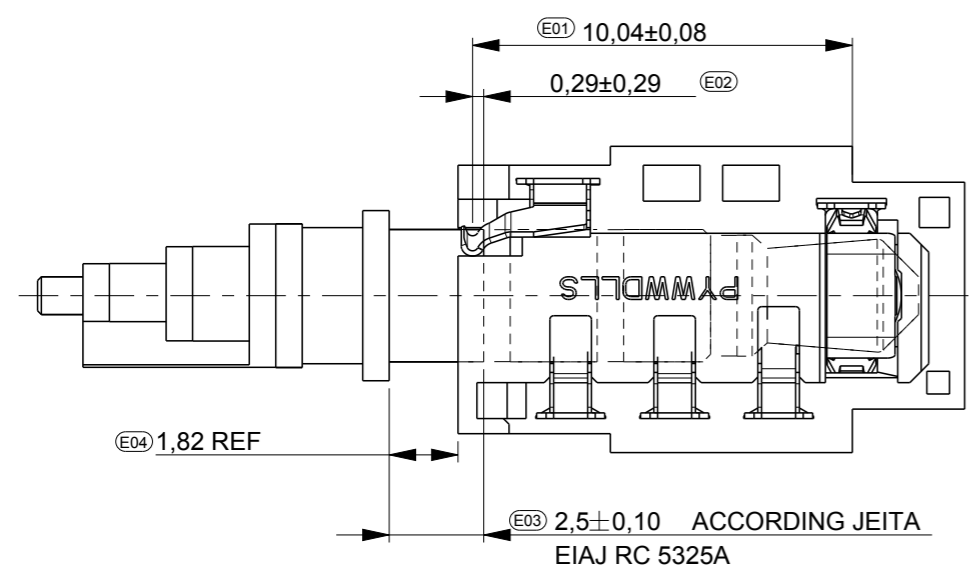
NAME: 3,5mm AV FLEX CONNECTOR

SIZE	CAGE CODE	DRAWING NO	RESTRICTED TO
A3	00779	C-2173752	-

Customer Drawing SCALE 8:1 SHEET 1 OF 3 REV B2

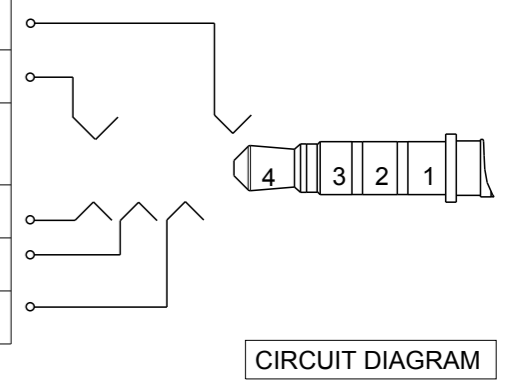
THIS DRAWING IS UNPUBLISHED. RELEASED FOR PUBLICATION  
 © COPYRIGHT- BY TYCO ELECTRONICS CORPORATION. ALL RIGHTS RESERVED.

LOC	DIST	REVISIONS			
P	LTR	DESCRIPTION	DATE	DWN	APVD
H	-	SEE SHEET 1	-	-	-



RECOMMENDED FPC SOLDER LAYOUT  
(VIEW FROM COMPONENT SIDE)

SIGNAL NAME	ITEM	LAYOUT NR	TERMINAL NO
SLEEVE CONTACT	5	(A)	(1)
DETECTION CONTACT	4	(E)	(4)
TIP CONTACT	2	(D)	(4)
R1 CONTACT	2	(C)	(3)
R2 CONTACT	2	(B)	(2)



CIRCUIT DIAGRAM

THIS DRAWING IS A CONTROLLED DOCUMENT.		DWN 07APR2014 M.Gosselink	TE Connectivity			
DIMENSIONS: mm		CHK 07APR2014 M.Gosselink				
TOLERANCES UNLESS OTHERWISE SPECIFIED:		APVD 07APR2014 M.Westen	NAME			
0 PLC ±0,20 1 PLC ±0,10 2 PLC ±0,05 3 PLC ±0,025 4 PLC ± ANGLES ±2°		PRODUCT SPEC 108-19479	3,5mm AV FLEX CONNECTOR			
MATERIAL -	FINISH -	APPLICATION SPEC 114-19153	SIZE A3	CAGE CODE 00779	DRAWING NO C-2173752	RESTRICTED TO -
Customer Drawing			WEIGHT 0.33 gr	SCALE 8:1	SHEET 2 OF 3	REV B2

THIS DRAWING IS UNPUBLISHED.

RELEASED FOR PUBLICATION

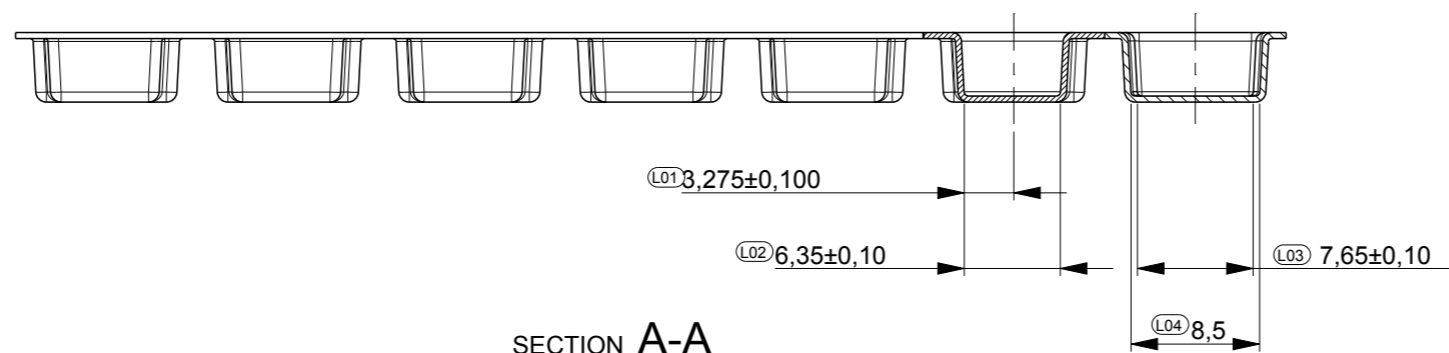
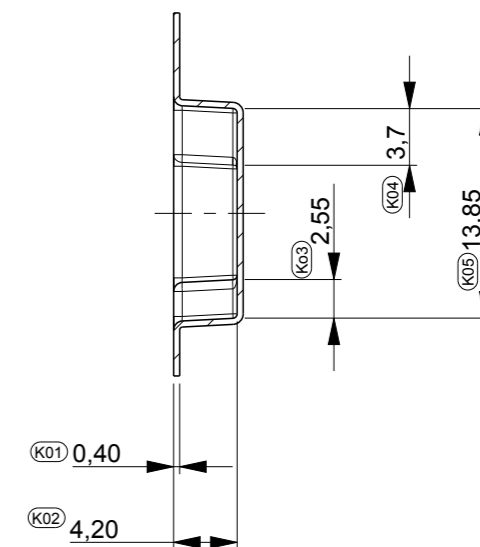
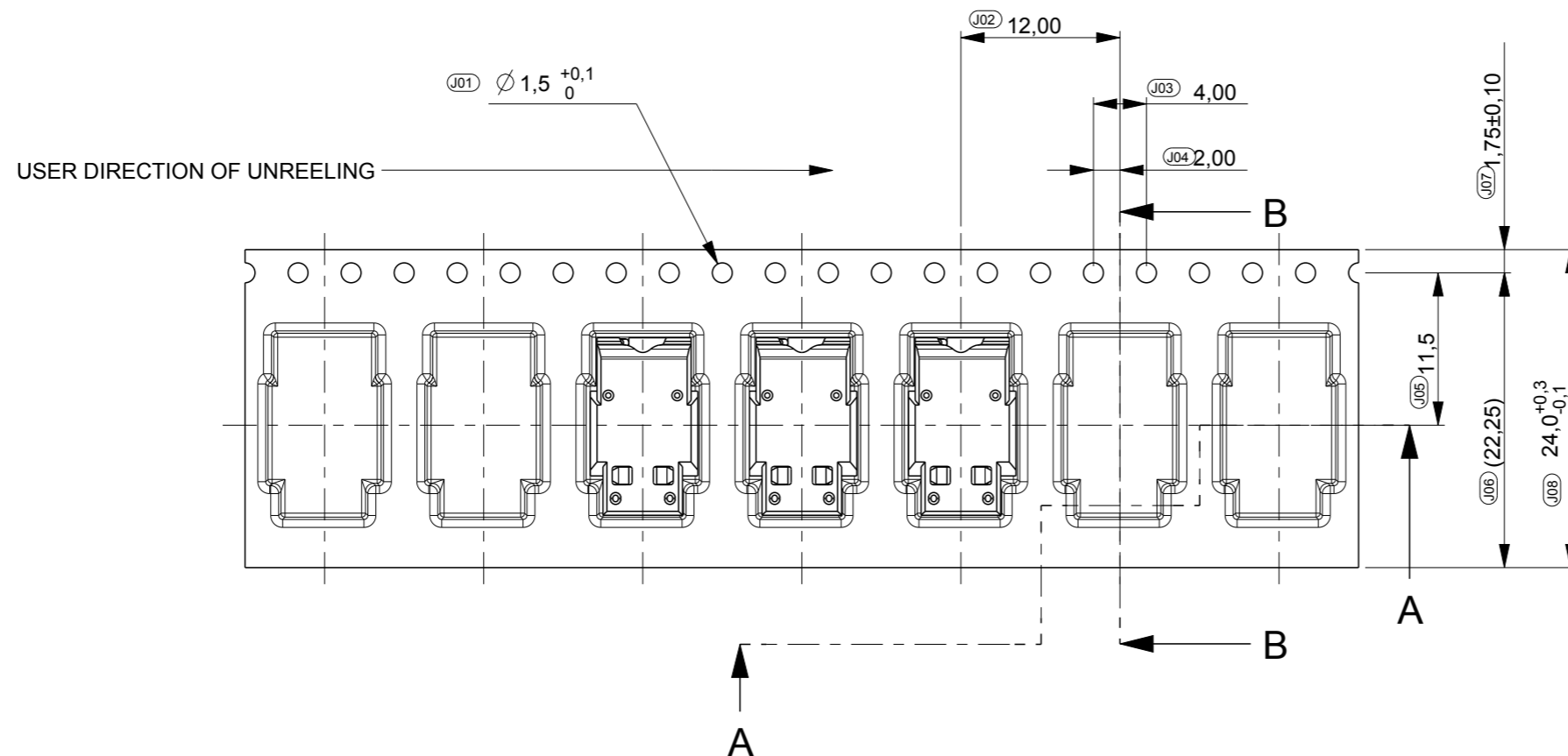
© COPYRIGHT- BY TYCO ELECTRONICS CORPORATION. ALL RIGHTS RESERVED.

LOC H DIST -

REVISIONS

P	LTR	DESCRIPTION	DATE	DWN	APVD
-	-	SEE SHEET 1	-	-	-

PACKAGING QUANTITY		
PCS/REEL	REEL/BOX	PCS/BOX
1700	8	13600



THIS DRAWING IS A CONTROLLED DOCUMENT.

DIMENSIONS:	TOLERANCES UNLESS OTHERWISE SPECIFIED:
mm	
	0 PLC ±0,20
	1 PLC ±0,10
	2 PLC ±0,05
	3 PLC ±0,025
	4 PLC ±
ANGLES	±2°
MATERIAL -	FINISH -

DWN 07APR2014  
M.Gosselink  
CHK 07APR2014  
M.Gosselink  
APVD 07APR2014  
M.Westen  
PRODUCT SPEC  
108-19479  
APPLICATION SPEC  
114-19153  
WEIGHT 0.33 gr

		TE Connectivity	
NAME 3,5mm AV FLEX CONNECTOR			
SIZE	CAGE CODE	DRAWING NO	RESTRICTED TO
A3	00779	C-2173752	-

Customer Drawing SCALE 8:1 SHEET 3 OF 3 REV B2