

4

3

2

1

THIS DRAWING IS UNPUBLISHED.

RELEASED FOR PUBLICATION

ALL RIGHTS RESERVED.

© COPYRIGHT - By -

LOC

DIST

REVISIONS

DW

P

LTR

DESCRIPTION

DATE

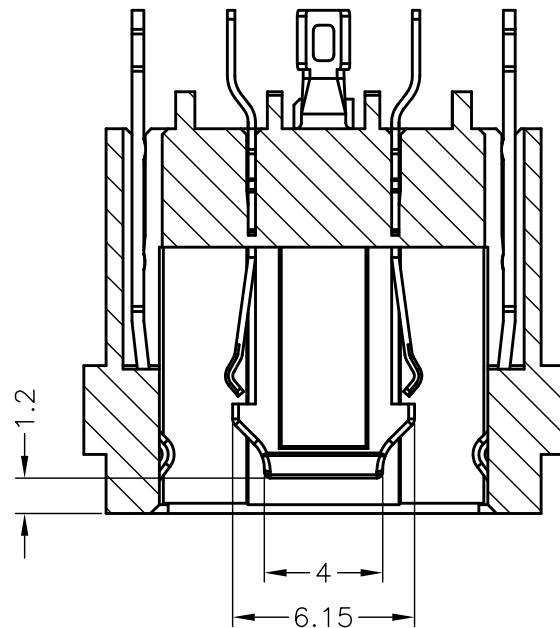
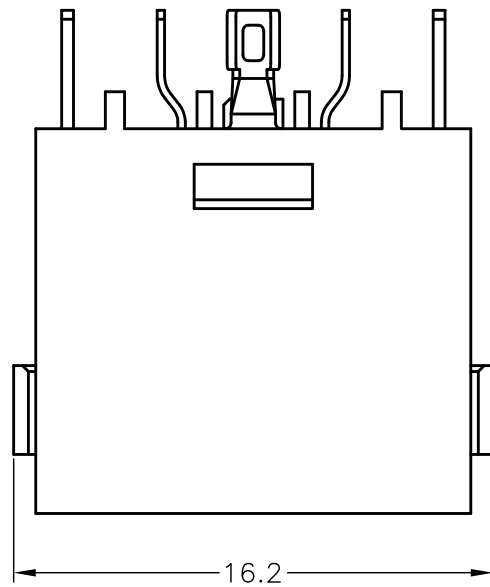
DWN

APVD

14MAR13

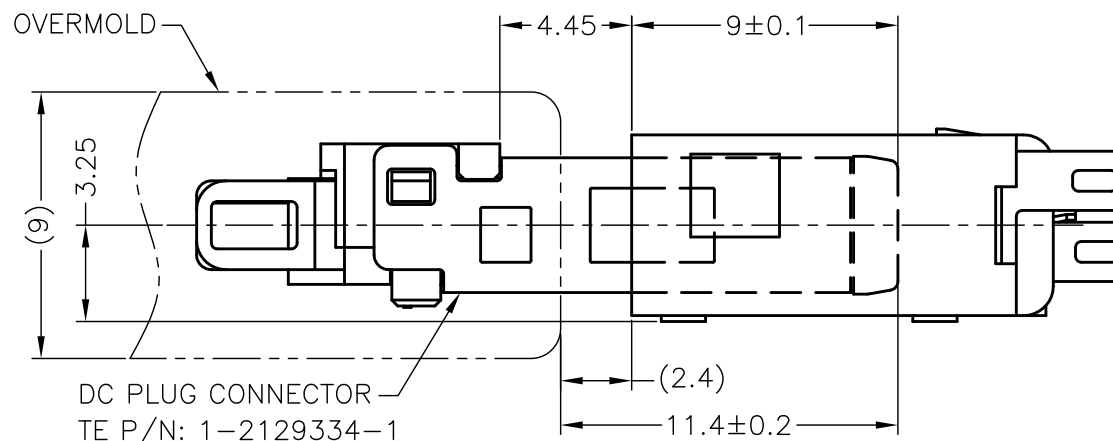
S.H

V.P



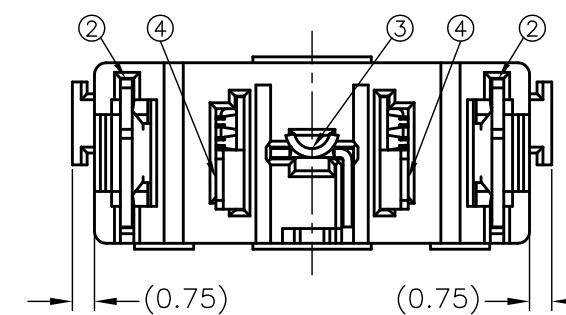
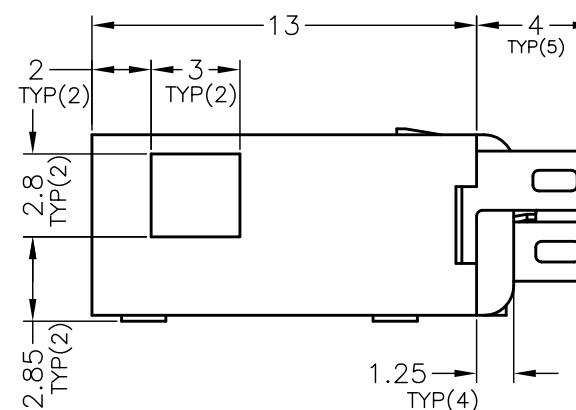
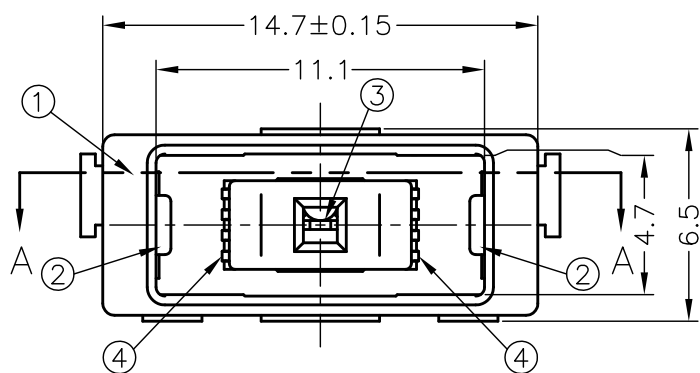
A-A

PLUG OVERMOLD



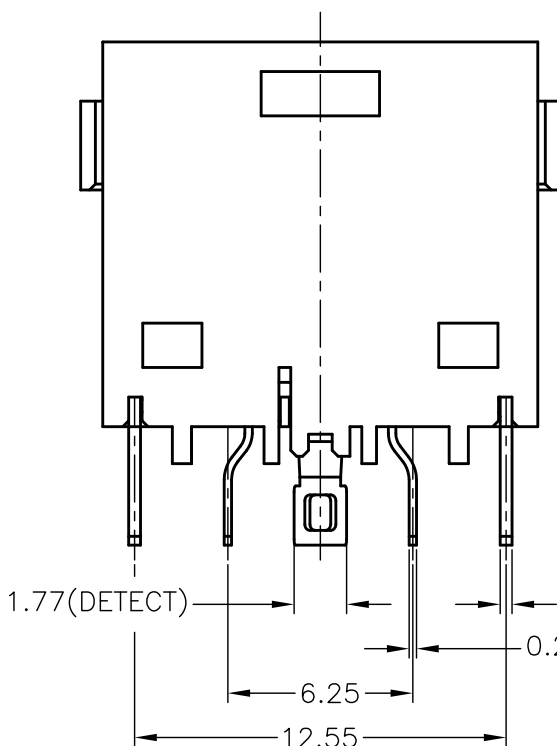
DC PLUG CONNECTOR
TE P/N: 1-2129334-1

MATING CONDITION



OBsolete

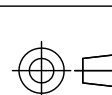
Q'TY	SSY	P/N	FINISH/COLOR	MATERIAL	PART NAME	NO.
2	2	2	2	0.0002mm GOLD PLATING ON CONTACT AREA, 0.002mm MATTE TIN PLATING ON SOLDER AREA, 0.002mm MIN. NICKEL UNDERPLATED ALL OVER	COPPER ALLOY	POWER CONTACT ④
1	1	1	1	0.0002mm GOLD PLATING ON CONTACT AREA, 0.002mm MATTE TIN PLATING ON SOLDER AREA, 0.002mm MIN. NICKEL UNDERPLATED ALL OVER	COPPER ALLOY	DETECT CONTACT ③
2	2	2	2	0.0002mm GOLD PLATING ON CONTACT AREA, 0.002mm MATTE TIN PLATING ON SOLDER AREA, 0.002mm MIN. NICKEL UNDERPLATED ALL OVER	COPPER ALLOY	GROUND CONTACT ②
1				BLACK	HIGH TEMPERATURE THERMO-PLASTIC (UL94V-0)	HOUSING ①
	1			YELLOW	HIGH TEMPERATURE THERMO-PLASTIC (UL94V-0)	HOUSING ①



THIS DRAWING IS A CONTROLLED DOCUMENT.

DIMENSIONS:
mm

TOLERANCES UNLESS OTHERWISE SPECIFIED:



0 PLC	±	
1 PLC	±	±0.25
2 PLC	±	
3 PLC	±	±3°
4 PLC	±	
ANGLES	±	

MATERIAL
SEE TABLE

DWN 24FEB2012

S.HUANG

CHK 24FEB2012

V.PENG

APVD 24FEB2012

W.KODAMA

PRODUCT SPEC

108-99035

APPLICATION SPEC

501-99040

WEIGHT

CUSTOMER DRAWING



TE Connectivity

DC POWER JACK CONNECTOR
CABLE TYPE

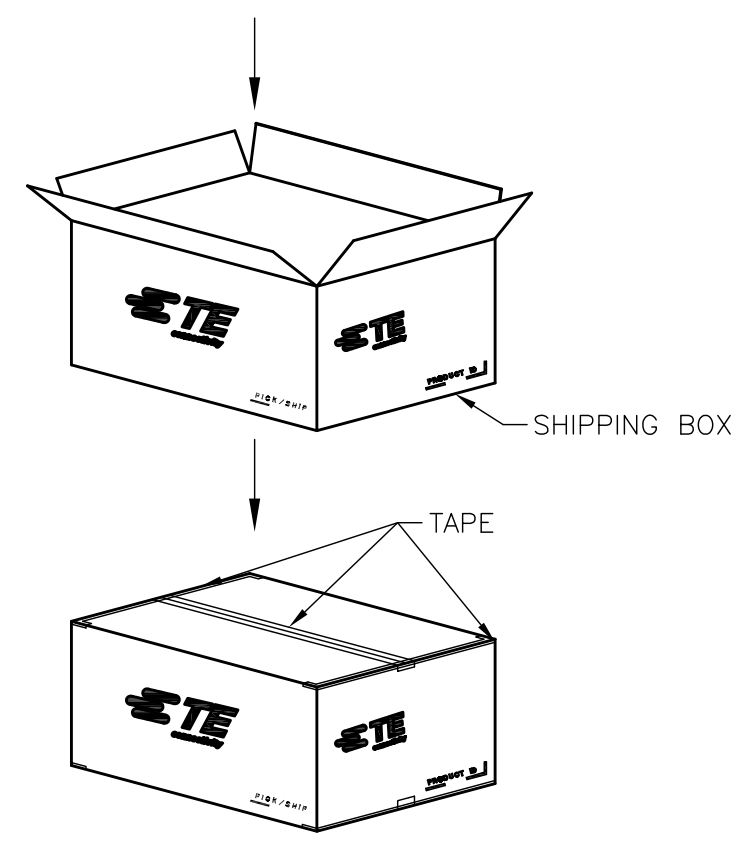
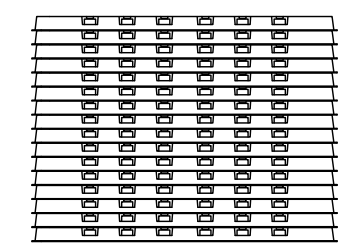
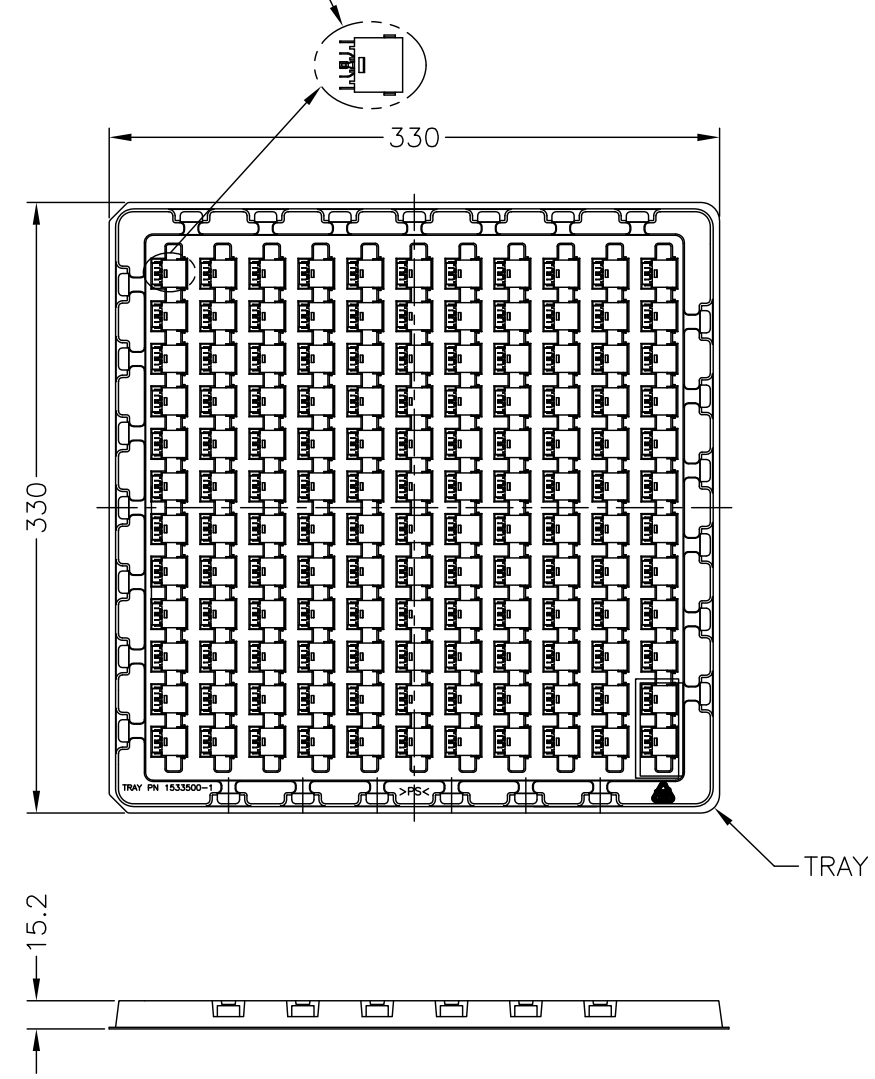
NAME	SIZE	CAGE CODE	DRAWING NO	RESTRICTED TO
	A3	00779	2129333	

SCALE 4:1 SHEET 1 of 2 REV B5

THIS DRAWING IS UNPUBLISHED. RELEASED FOR PUBLICATION
 © COPYRIGHT - By - ALL RIGHTS RESERVED.

LOC	DIST	REVISIONS				
P	LTR	DESCRIPTION	DATE	DWN	APVD	
DW	/	SEE SHEET 1	-	-	-	

DC POWER JACK CONNECTOR
 TE P/N: 1-2129333-1/-2



- EU ROHS-RELATED RESTRICTED SUBSTANCE SPEC IN HOMOGENEOUS MATERIAL REFER TO TEC-138-702 REV.G:
 LEAD < 1000PPM, CADMIUM < 100PPM, MERCURY < 1000PPM
 CHROMIUM VI < 1000PPM, PBB <1000PPM, PBDE < 1000PPM
- HALOGEN FREE SPEC:
 CHLORINE (Cl): 900 ppm MAX.
 BROMINE (Br): 900 ppm MAX.
 CHLORINE (Cl) + BROMINE (Br): 1500 ppm MAX.
- SHIPPING BOX DIMENSION: 445mmX445mmX270mm

132	25	3300
PCS/TRAY	TRAY/SHIPPING BOX	TOTAL Q'TY

THIS DRAWING IS A CONTROLLED DOCUMENT.		DWN		TE Connectivity	
DIMENSIONS: mm		CHK			
TOLERANCES UNLESS OTHERWISE SPECIFIED:		APVD		NAME	
0 PLC ± - 1 PLC ± - 2 PLC ± - ±0.25 3 PLC ± - ±3° 4 PLC ± - ANGLES ± - MATERIAL FINISH		PRODUCT SPEC		DC POWER JACK CONNECTOR CABLE TYPE	
		APPLICATION SPEC		RESTRICTED TO	
		WEIGHT		SIZE CAGE CODE DRAWING NO	
		CUSTOMER DRAWING		A3 00779 2129333	
		SCALE NA		SHEET 2 OF 2 REV B5	