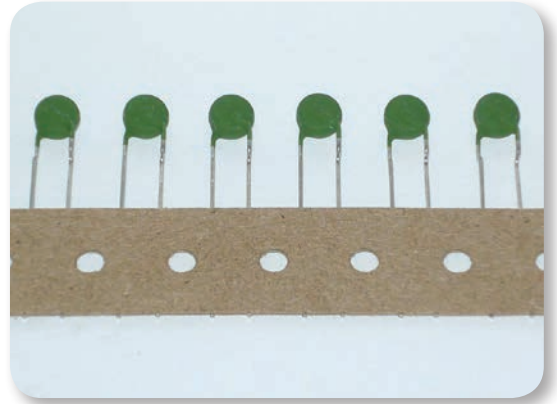


T H E R M O M E T R I C S  
A C O M M I T M E N T T O E X C E L L E N C E

# Type YQ Series

Thermometrics  
RoHS-Compliant  
PTC Thermistors



## Features

- A range of radially-wired PTC disc thermistors with green silicone resin coating
- Designed for general purpose over-current, over-voltage and direct over-temperature protection
- Wide range of operating current and voltage levels
- Excellent stability
- Fail-safe operation
- Solid state
- High performance barium titanate ceramic
- Suitable for automatic PCB insertion insulated lead wires

**Amphenol**  
Advanced Sensors

# Packaging

All types in the YQ range are available loose-packed, as shown in the drawing. Devices are also available on bandolier (tape & reel): types with diameter  $A < 12\text{mm}$  comply with IEC 286-2. To identify the tape & reel packaging required, replace N in the product codes shown in the table as follows:

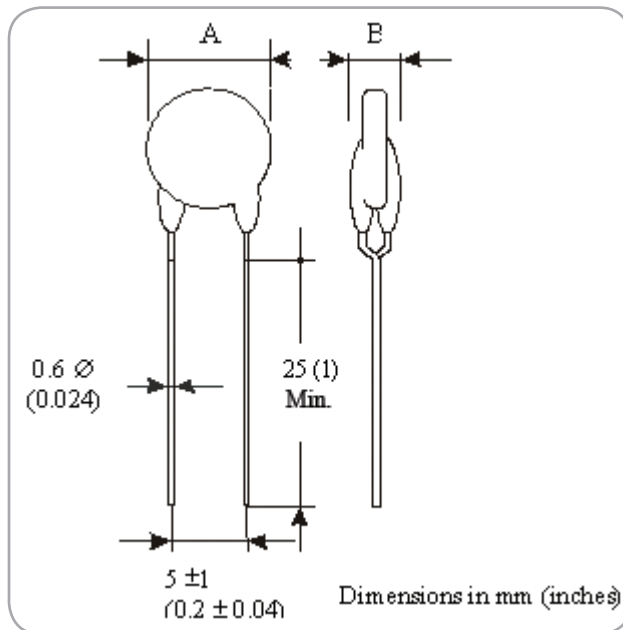
Bandoliered T

Loose-packed N

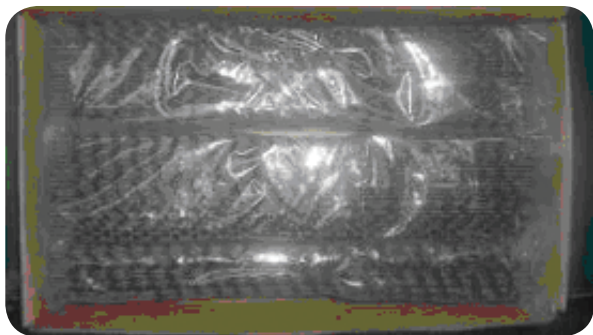
## Packing Method (Reference Only)

### Loose Pack (N)

$D \leq 5\text{ mm}$	2500 PCS/box
$5\text{mm} < D \leq 8\text{mm}$	2000 PCS/box
$8\text{mm} < D \leq 10\text{mm}$	1500 PCS/box
$10\text{mm} < D \leq 13\text{mm}$	750 PCS/box
$D > 13\text{mm}$	500 PCS/box



Type YQ Dimensions



## Type YQ Specifications

### Tolerance on R25

$\pm 25\%$

### Ambient Temperature Range

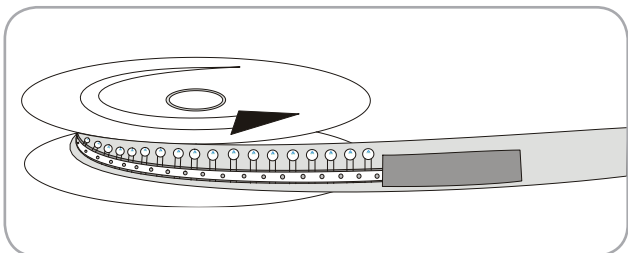
at maximum voltage  $0^\circ$  to  $+60^\circ\text{C}$   
at zero voltage  $-25^\circ$  to  $+125^\circ\text{C}$

### Lead Wire Material

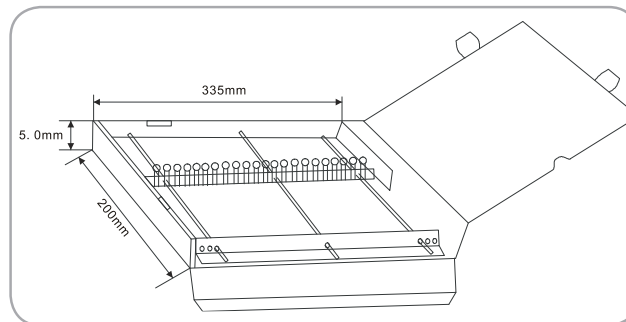
Tin-coated copper Body coating  
Green Silicone resin

### Tape and Reel Pack (T)

$D \leq 5\text{mm}$	1500PCS/box	Tape and reel pack form
$5\text{mm} < D \leq 8\text{mm}$	1000PCS/box	Tape and reel pack form
$8\text{mm} < D \leq 10\text{mm}$	750PCS/box	Tape and reel pack form
$10\text{mm} < D \leq 13\text{mm}$	500PCS/box	Tape and reel pack form
$D > 13\text{mm}$	375 PCS/box	folding form



Tape and Reel Form



Folding Form

## Ordering Information

Group	Code	R25Ω	I <sub>nt</sub> (A)	I <sub>t</sub> (A)	I <sub>mo</sub> (A)	A max.		B max.	
						mm	inch	mm	inch
265Vrms T <sub>b</sub> =120°C	YQD120N0006	6	0.39	0.78	3.1	17.5	0.69	5	0.2
	YQD120N0010	10	0.25	0.5	1.8	13.5	0.53	5	0.2
	YQD120N0015	15	0.18	0.35	1.2	11	0.43	5	0.2
	YQD120N0025	25	0.13	0.25	0.8	9	0.35	5	0.2
	YQD120N0045	45	0.105	0.2	0.8	9	0.35	5	0.2
	YQD120N0055	55	0.09	0.18	0.8	9	0.35	5	0.2
	YQD120N0070	70	0.065	0.13	0.3	6.5	0.26	5	0.2
	YQD120N0120	120	0.035	0.08	0.3	6.5	0.26	5	0.2
265Vrms T <sub>b</sub> =100°C	YQD100N0150	150	0.038	0.08	0.3	6.5	0.26	5	0.2
	YQD100N0300	300	0.027	0.055	0.3	6.5	0.26	5	0.2
	YQD100N0600	600	0.02	0.04	0.2	6.5	0.26	5	0.2
	YQD100N1000	1000	0.015	0.03	0.2	6.5	0.26	5	0.2
265Vrms T <sub>b</sub> =80°C	YQD080N0025	25	0.085	0.17	0.8	9	0.35	5	0.2
	YQD080N0050	50	0.06	0.12	1	9	0.35	5	0.2
	YQD080N0100	100	0.05	0.1	0.6	8	0.32	5	0.2
	YQD080N0150	150	0.022	0.045	0.2	4.5	0.18	5	0.2
140Vrms T <sub>b</sub> =120°C	YQC120N4.70	4.7	0.425	0.85	3.1	17.5	0.69	5	0.2
	YQC120N5.60	5.6	0.4	0.8	3.1	17.5	0.69	5	0.2
	YQC120N6.80	6.8	0.3	0.6	1.8	13.5	0.53	5	0.2
	YQC120N0010	10	0.225	0.45	1.2	11	0.43	5	0.2
	YQC120N0022	22	0.135	0.27	0.8	9	0.35	5	0.2
	YQC120N0033	33	0.09	0.175	0.3	6.5	0.26	5	0.2
80Vdc 60Vrms T <sub>b</sub> =120°C	YQB120N2.30	2.3	0.55	1.1	8	17.5	0.69	4	0.16
	YQB120N3.70	3.7	0.38	0.75	5.5	13.5	0.53	4	0.16
	YQB120N5.60	5.6	0.3	0.6	4.3	11	0.43	4	0.16
	YQB120N9.40	9.4	0.18	0.36	3	9	0.35	4	0.16
	YQB120N0025	25	0.1	0.2	1	6.5	0.26	4	0.16
	YQB120N0055	55	0.06	0.12	0.7	4	0.16	3.5	1.4
30Vrms T <sub>b</sub> =120°C	YQA120N1.20	1.2	0.75	1.5	5.5	13.5	0.53	4	0.16
	YQA120N1.8L	1.8	0.5	1	5.5	13.5	0.53	4	0.16
	YQA120N1.80	1.8	0.55	1	3	9	0.35	4	0.16
	YQA120N4.2	4.2	0.28	0.56	3	9	0.35	4	0.16
	YQA120N0010	10	0.17	0.34	1	6.5	0.26	4	0.16
18Vrms T <sub>b</sub> =120°C	YQZ120N1.00	1	0.65	1.2	3	9	0.35	4	0.16
	YQZ120N1.20	1.2	0.7	1.4	4.3	11	0.43	4	0.16
	YQZ120N1.80	1.8	0.55	1	3	9	0.35	4	0.16
	YQZ120N4.60	4.6	0.3	0.58	1	6.5	0.26	4	0.16
	YQZ120N0013	13	0.14	0.28	0.7	4.5	0.18	4	0.16

V <sub>max</sub>	Maximum operating voltage	R <sub>25</sub>	Resistance at 25°C
T <sub>b</sub>	Switching temperature	I <sub>mo</sub>	Maximum overload current
I <sub>nt</sub>	Maximum current without tripping (25°C ambient)	I <sub>t</sub>	Minimum trip current (25°C ambient)



# Mouser Electronics

Authorized Distributor

Click to View Pricing, Inventory, Delivery & Lifecycle Information:

## Amphenol:

[RL2010-500-110-50-PTO](#) [RL2510-100-110-50-PTO](#) [RL3005-10-110-12-PTO](#) [RL3005-25-110-12-PTO](#) [RL3006-20-120-25-PTO](#) [RL3006-50-60-25-PTO](#) [RL3006-50-70-25-PTO](#) [RL3006-50-100-25-PTO](#) [RL3006-50-110-25-PTO](#) [RL3006-50-120-25-PTO](#) [RL4508-7-110-50-PTO](#) [RL4508-15-110-50-PTO](#) [RL4508-20-110-50-PTO](#) [RL5020-2K-100-480-PTO](#) [YQA120N0010](#) [YQA120N0025](#) [YQA120N1.8L](#) [YQB120N9.44](#) [YQC120N0022](#) [YQC120N0033](#) [YQD080N0050](#) [YQD080N0100](#) [YQD100N0150](#) [YQD100N0600](#) [YQD100N1000](#) [YQD100N150](#) [YQD120N0055](#) [YQZ120N0013](#) [YQZ120N1.00](#) [YQZ120N1.20](#) [YQZ120N100](#) [YQZ120N120](#) [RL1003-1746-97-SP](#) [YQA120N1.20](#) [YQD120N0015](#) [YQB120N2.30](#) [YQD120N0070](#) [YQB120N9.40](#) [YQA120N4.2](#) [YQD120N0010](#) [YQB120N3.70](#) [YQD120N0045](#) [YQD120N0006](#) [YQD120N0025](#) [YQZ120N1.80](#) [YQB120N0025](#) [YQB120N5.60](#) [YQD080N0025](#) [YQB120N0055](#) [YQD120N0050](#) [YQD100N0300](#)