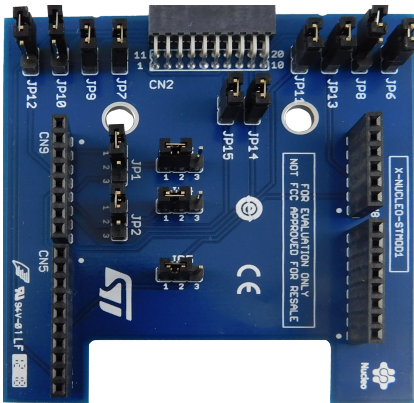


## STMod+ connector expansion board for STM32 Nucleo



### Features

- STMod+ connector compatible with STM32 Nucleo boards
- Full STMod+ support for a range of interfaces: SPI, UART, I<sup>2</sup>C, RESET, INTERRUPT, ADC, PWM and general purpose I/Os
- STM32 Nucleo support through Arduino UNO V3 connector
- Set of 15 Jumpers to allow multiple configurations and expand the range of possible use cases
- RoHS compliant

### Description

The [X-NUCLEO-STMODA1](#) provides an easy way to expand your STM32 Nucleo board with the STMod+ connector, which allows interaction with the new set of STM32 Nucleo development boards using this connector. It provides an easy way to evaluate the STMod+ board solution together with other STM32 Nucleo boards.

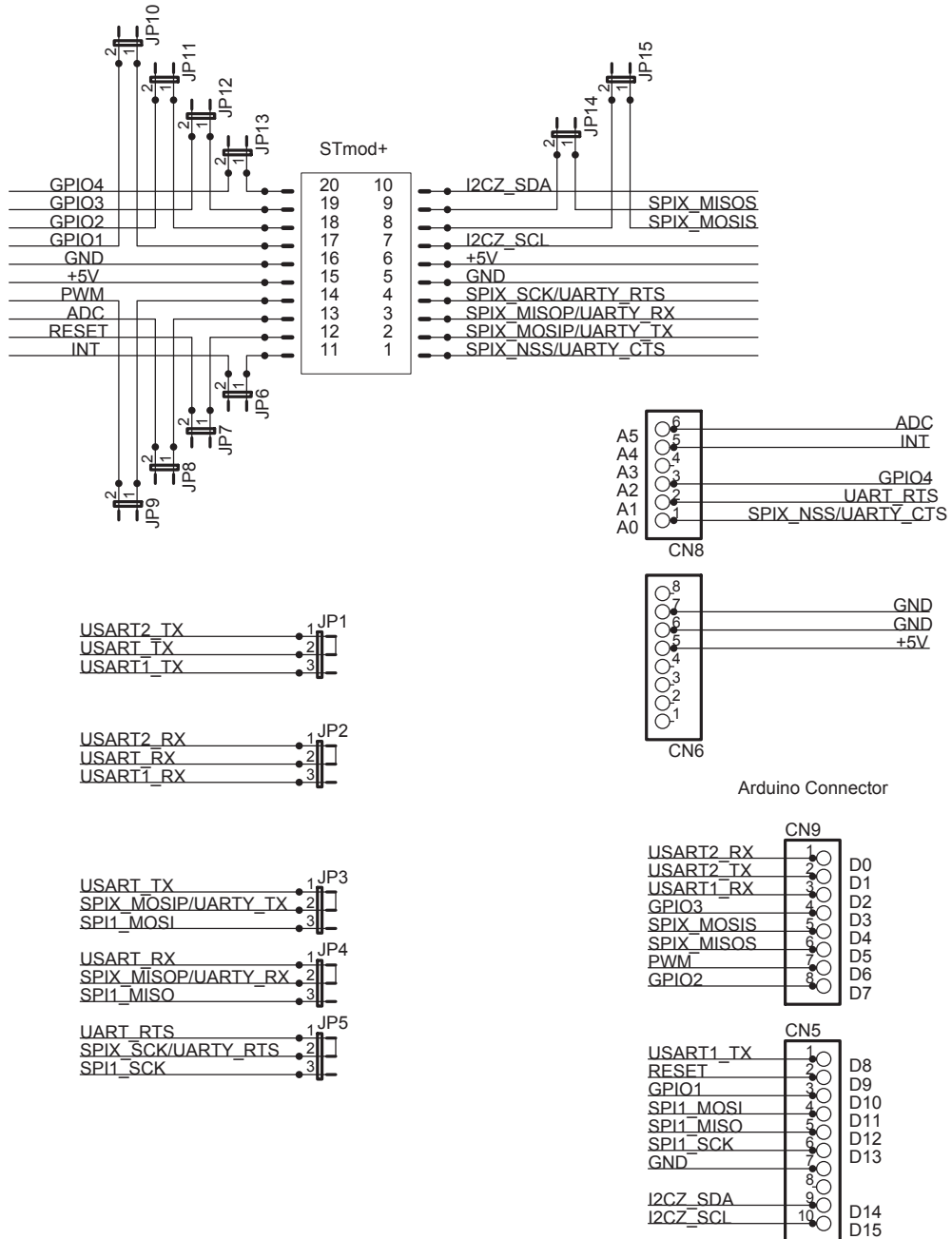
The STMod+ is a 2x10-pin connector providing a set of interfaces such as SPI, UART, I<sup>2</sup>C and other functions such as RESET, INTERRUPT, ADC, PWM and general purpose I/Os. The X-NUCLEO-STMODA1 has a female STMod+ connector with 2 mm pitch.

The X-NUCLEO-STMODA1 expansion board is equipped with a set of jumpers for the added flexibility of allowing you to also use the board with the STM32 [B-L475E-IOT01A](#) discovery kit node board.

Product summary	
STMod+ connector expansion board for STM32 Nucleo	<a href="#">X-NUCLEO-MODA1</a>
STM32L4 Discovery kit IoT node, low-power wireless, BLE, NFC, SubGHz, Wi-Fi	<a href="#">B-L475E-IOT01A</a>
LTE Cellular to Cloud Pack with STM32L496AG MCU	<a href="#">P-L496G-CELL02</a>
System Workbench for STM32: free IDE on Windows, Linux and OS X	<a href="#">SW4STM32</a>



# 1 Schematic diagrams

**Figure 2. X-NUCLEO-MODA1 circuit schematics**


## Revision history

**Table 1. Document revision history**

Date	Version	Changes
10-Apr-2018	1	Initial release.

**IMPORTANT NOTICE – PLEASE READ CAREFULLY**

STMicroelectronics NV and its subsidiaries (“ST”) reserve the right to make changes, corrections, enhancements, modifications, and improvements to ST products and/or to this document at any time without notice. Purchasers should obtain the latest relevant information on ST products before placing orders. ST products are sold pursuant to ST’s terms and conditions of sale in place at the time of order acknowledgement.

Purchasers are solely responsible for the choice, selection, and use of ST products and ST assumes no liability for application assistance or the design of Purchasers’ products.

No license, express or implied, to any intellectual property right is granted by ST herein.

Resale of ST products with provisions different from the information set forth herein shall void any warranty granted by ST for such product.

ST and the ST logo are trademarks of ST. All other product or service names are the property of their respective owners.

Information in this document supersedes and replaces information previously supplied in any prior versions of this document.

© 2018 STMicroelectronics – All rights reserved

# Mouser Electronics

Authorized Distributor

Click to View Pricing, Inventory, Delivery & Lifecycle Information:

[STMicroelectronics:](#)

[X-NUCLEO-STMODA1](#)