

VSC7460 and VSC7462

24x 1-GbE + 4x 10G Port and 12x 1-GbE + 4x 10G Port Carrier Ethernet Switches with VeriTime™

Microsemi's next-generation switch family delivers a comprehensive end-to-end Carrier Ethernet solution.

Jaguar-1 (VSC7460) is a Carrier Ethernet switch that contains 24 10/100/1000 Mbps Ethernet ports and four 10 Gbps XAUI Ethernet ports. Optionally, two XAUI ports can support up to eight 2.5 Gbps Ethernet ports.

LynX-1 (VSC7462) contains 12 10/100/1000 Mbps Ethernet ports and four 10 Gbps XAUI Ethernet ports. Optionally, two XAUI ports can support up to eight 2.5 Gbps Ethernet ports.

The devices provide a rich set of Carrier Ethernet services, Ethernet switching, and Ethernet transport features. Advanced TCAM-based QoS processing using versatile content-aware processing (VCAP-II) enables the delivery of differentiated services with per-service SLA guarantees.

Comprehensive service and transport support is provided for networks based on Provider Bridge (PB), Provider Backbone Bridge (PBB), Provider Backbone Bridge with Traffic Engineering (PBB-TE), and Multiprotocol Label Switching (MPLS-TP) protocols.

For critical network timing applications, VSC7460 and VSC7462 use VeriTime™, Microsemi's patent-pending distributed timing technology that delivers the industry's most accurate IEEE 1588v2 timing implementation.

A powerful embedded MIPS processor, tightly integrated with Carrier Ethernet switch functions, enables the implementation of Ethernet OAM, VeriTime™, and switch management using a single device, eliminating the need for an external processor in many cases.

A comprehensive application programming interface (API) and software package are provided for switch applications. The software package integrates easily with third-party software, preserving existing software investments while adding new, enhanced carrier functionality.

The Microsemi Carrier Ethernet family also includes two pin-compatible MACs, VSC7364 and VSC7366, for aggregation applications requiring hierarchical traffic management and the advanced features of a Carrier Ethernet switch.

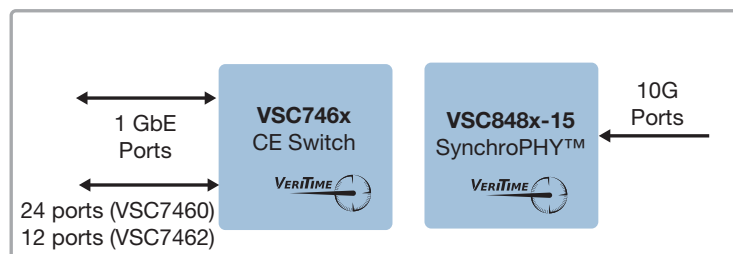
Highlights

- Service-aware architecture
- Hierarchical quality of service (QoS)
- Integrated timing: VeriTime™, SyncE
- Ethernet OAM and protection switching

Applications

- Metro Ethernet transport (MSPP/ MSTP)
- Carrier Ethernet switch/router (CESR)
- Mobile wireless backhaul

GbE Switch Card or Pizzabox Application



VSC7460 and VSC7462

24x 1-GbE + 4x 10G Port and 12x 1-GbE + 4x 10G Port Carrier Ethernet Switches with VeriTime™

Features

- 24x or 12x 1 GbE ports with SGMII, 1000BASE-X SerDes, 100BASE-FX, and external frame insertion/extraction support
- Up to 8x 2.5 GbE ports
- 4x 10 GbE XAUI ports
- Four-lane 10 Gbps XAUI
- Internal shared memory buffer (8 queues per port)
- Jumbo frame support
- Strict priority and DWRR scheduler/shaper
- Integrated 400 MHz MIPS CPU

Layer 2 Switching and Layer 3 Forwarding

- 802.1Q VLAN switch with 32K MACs and 4K VLANs
- Push, pop, and translate ingress/egress
- Policing with storm control and MC/BC protection
- RSTP and MSTP support
- Independent and shared VLAN learning (IVL, SVL)
- Hardware and software-based learning
- TCAM-based classification and VCAP-II security

Multicast

- Layer 2
- IPv4 and IPv6
- IGMP and MLD

Key Specifications

- 27 mm x 27 mm FCBGA
- Operating temperature -40 °C to 125 °C

VeriTime™ Features

- L2 IEEE 1588v2
- Boundary clock and transparent clock

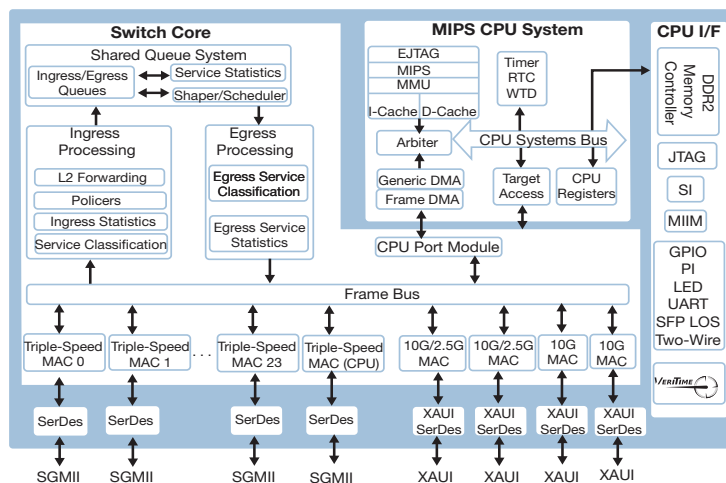
Carrier Ethernet

- Provider Bridge (PB), Provider Backbone Bridge (PBB), Provider Backbone Bridge with Traffic Engineering (PBB-TE), and MPLS-TP
- MEF E-LAN, E-LINE, E-TREE services
- UNI-N, I-NNI, and E-NNI interface support
- Dual leaky bucket policers with remarking and statistics
- Hardware and software-based Ethernet OAM and protection switching
- L1 Synchronous Ethernet
- Enhanced Carrier Ethernet software API

Related Products

Visit www.microsemi.com for information about these related products:

- VSC9138 10 Gbps Multiservice High Order/Low Order Virtual Concatenation Mapper
- VSC7364 and VSC7366 Carrier Ethernet MACs
- VSC8487-15 and VSC8488-15 SynchroPHYs™ with VeriTime™



Microsemi Corporate Headquarters
 One Enterprise, Aliso Viejo, CA 92656 USA
 Within the USA: +1 (800) 713-4113
 Outside the USA: +1 (949) 380-6100
 Sales: +1 (949) 380-6136
 Fax: +1 (949) 215-4996
 email: sales.support@microsemi.com
www.microsemi.com

Microsemi Corporation (Nasdaq: MSCC) offers a comprehensive portfolio of semiconductor and system solutions for communications, defense and security, aerospace, and industrial markets. Products include high-performance and radiation-hardened analog mixed-signal integrated circuits, FPGAs, SoCs, and ASICs; power management products; timing and synchronization devices and precise time solutions; voice processing devices; RF solutions; discrete components; enterprise storage and communications solutions, security technologies, and scalable anti-tamper products; Ethernet solutions; Power-over-Ethernet ICs and midspans; custom design capabilities and services. Microsemi is headquartered in Aliso Viejo, California, and has approximately 4,800 employees worldwide. Learn more at www.microsemi.com.

Mouser Electronics

Authorized Distributor

Click to View Pricing, Inventory, Delivery & Lifecycle Information:

[Microchip:](#)

[VSC7460YIH](#)