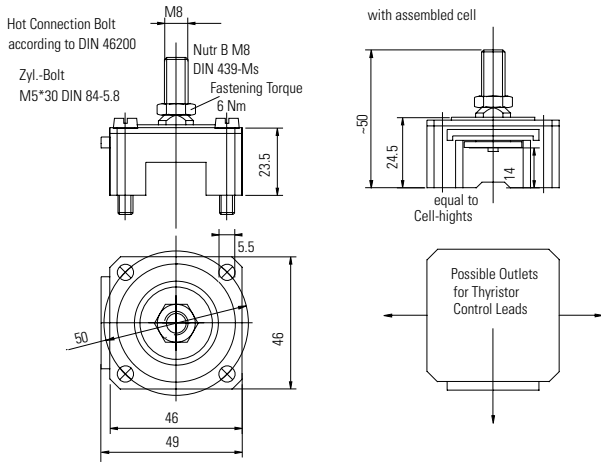
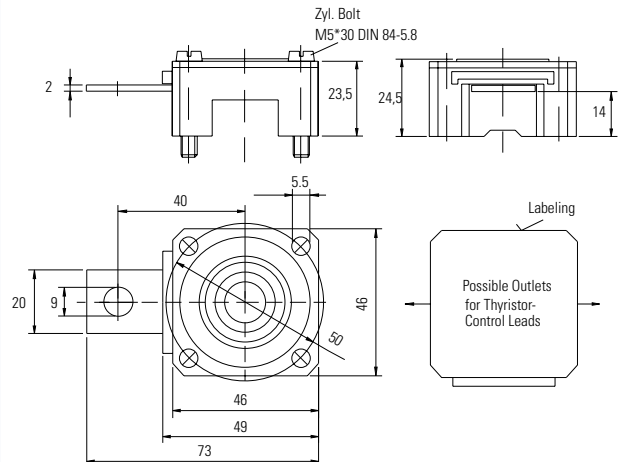


V50..M



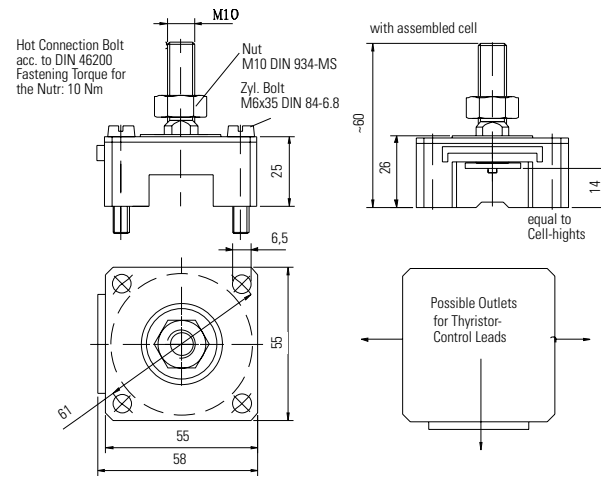
type designation	ordering code	clamping force [kN]	suitable for Ø [mm] housings	height [mm]	minimum creepage [mm] distance
V50-14.45M	SP000096563	4.5	42	14	11
V50-14.60M	SP000096564	6.0	42	14	11

V50..N



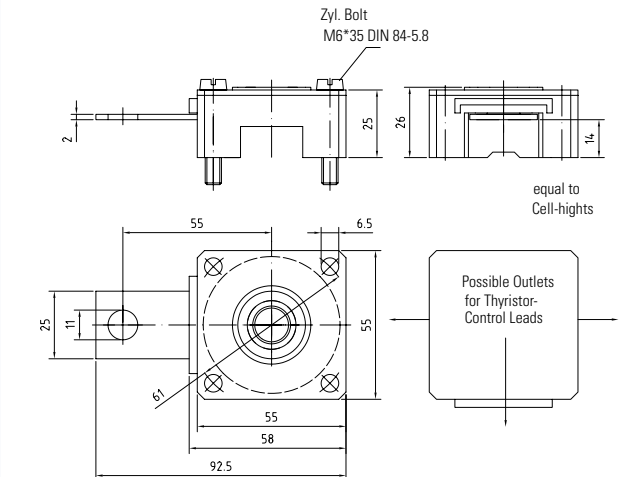
type designation	ordering code	clamping force [kN]	suitable for Ø [mm] housings	height [mm]	minimum creepage [mm] distance
V50-14.45N	SP000090625	4.5	42	14	11
V50-14.60N	SP000090626	6.0	42	14	11

V61..M



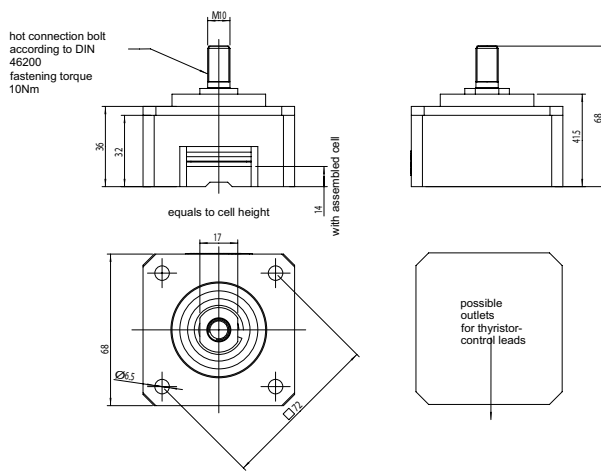
type designation	ordering code	clamping force [kN]	suitable for Ø [mm] housings	height [mm]	minimum creepage [mm] distance
V61-14.80M	SP000096565	8.0	48	14	11

V61..N



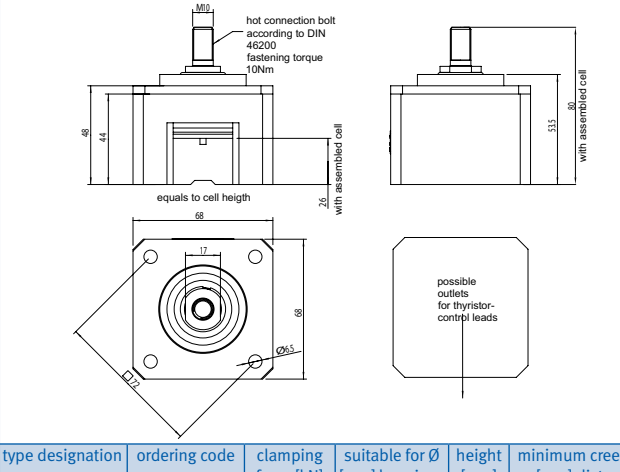
type designation	ordering code	clamping force [kN]	suitable for Ø [mm] housings	height [mm]	minimum creepage [mm] distance
V61-14.80N	SP000090627	8.0	48	14	11

V72-14..M



type designation	ordering code	clamping force [kN]	suitable for Ø [mm] housings	height [mm]	minimum creepage [mm] distance
V72-14.150M	SP000096566	15.0	58	14	11

V72-26..M



type designation	ordering code	clamping force [kN]	suitable for Ø [mm] housings	height [mm]	minimum creepage [mm] distance
V72-26.80M	SP000096569	8.0	58	26	23
V72-26.120M	SP000096567	12.0	58	26	23
V72-26.150M	SP000096568	15.0	58	26	23



# Mouser Electronics

Authorized Distributor

Click to View Pricing, Inventory, Delivery & Lifecycle Information:

[Infineon:](#)

[V50-14.45N](#)