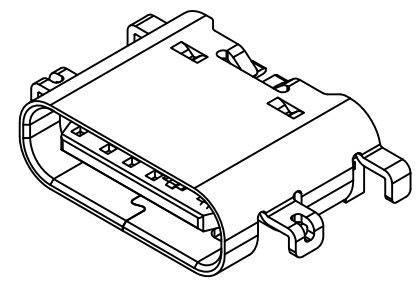


Pin	Signal	Mating Sequence
A5	CC1	Second
A9	Vbus	First
A12	GND	First
B5	CC2	Second
B9	Vbus	First
B12	GND	First
SHELL	GND	



Specifications

Material
 Insulator: LCP, E130i, UL 94V-0, Black
 Contact: Copper Alloy, C2680
 Shell: Stainless steel, SUS201
 Mid Plate: Stainless Steel, SUS301

Plating

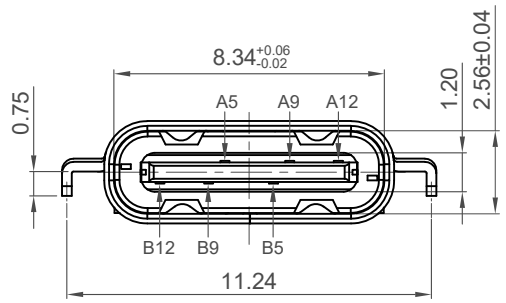
Terminal:
 Contact Area: Gold Flash
 Solder Tails: 50µ" min. Matte Tin
 Underplating: 50µ" Min. Nickel Over All
 Shell: 50µ" min. Nickel
 Mid Plate: Cleaning

Electrical

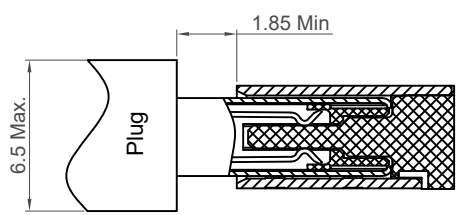
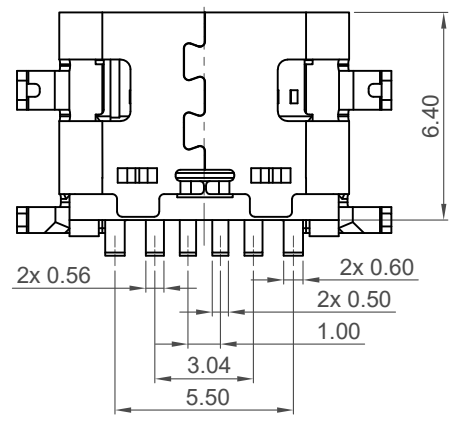
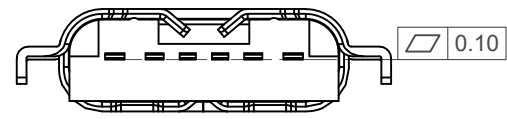
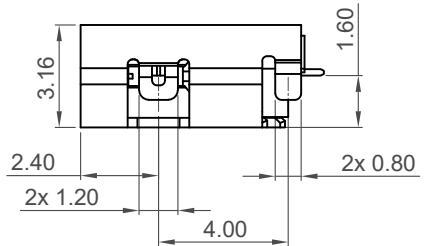
Current Rating: 3.00A collectively for Vbus pins
 4.25A collectively for GND pins
 1.25A for B5 pin
 0.25A for A5 pin
Voltage Rating: 20V DC
Contact Resistance: 40mΩ max initial.
 50mΩ max after test
Dielectric Withstanding Voltage: 100V AC
Insulation Resistance: 100MΩ min

Mechanical & Environmental

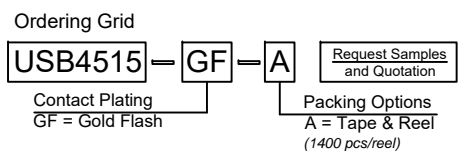
Operating Temperature: -30°C to +85°C
Mating Force: 5 to 20 N.
Unmated Force: 6 to 20 N after test
Durability: 10,000 cycles



Recommended PCB Layout
 Thickness=0.80mm
 As viewed from component side Tolerance:±0.05mm
 ▨ Solder Area □ Component Outline



Plug and Receptacle Mating View



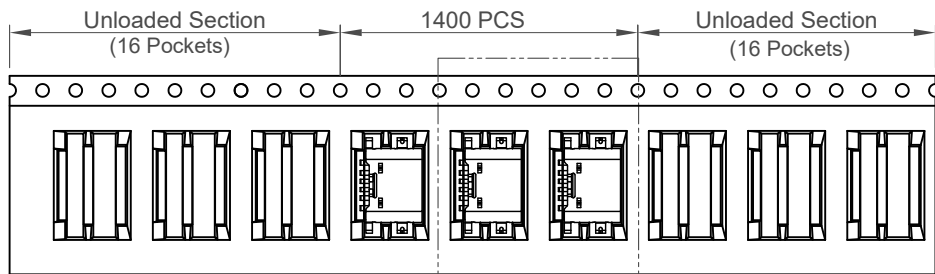
Part Number		Product Description	
USB4515		USB Type C Receptacle, SMT Type, Mid Mount, 1.6mm Offset, For Power Charging Only	
Drawing Date		1st July 2021	
By	CC	Tolerances (Except as Noted)	Units:
Detail	Drawing Release	Length X.X ± 0.30 X.XX ± 0.20 X.XXX ± 0.10	Metric (mm)
Revision	A	Angle	-
Date	01/07/21	3rd Angle Projection	



This drawing is confidential and copyright of Global Connector Technology, Ltd (GCT). This drawing must not be copied or disclosed without written consent. E & OE



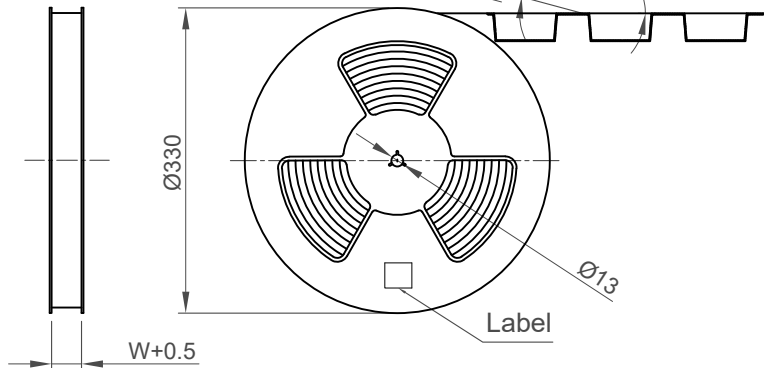
Not to Scale	Drawn By CC	Sheet No. 1/2
--------------	----------------	------------------



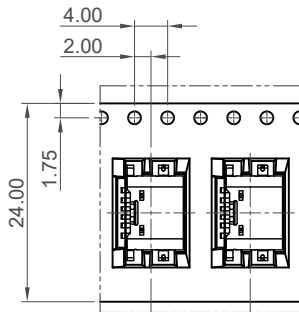
Direction of Unreeling

Detail E

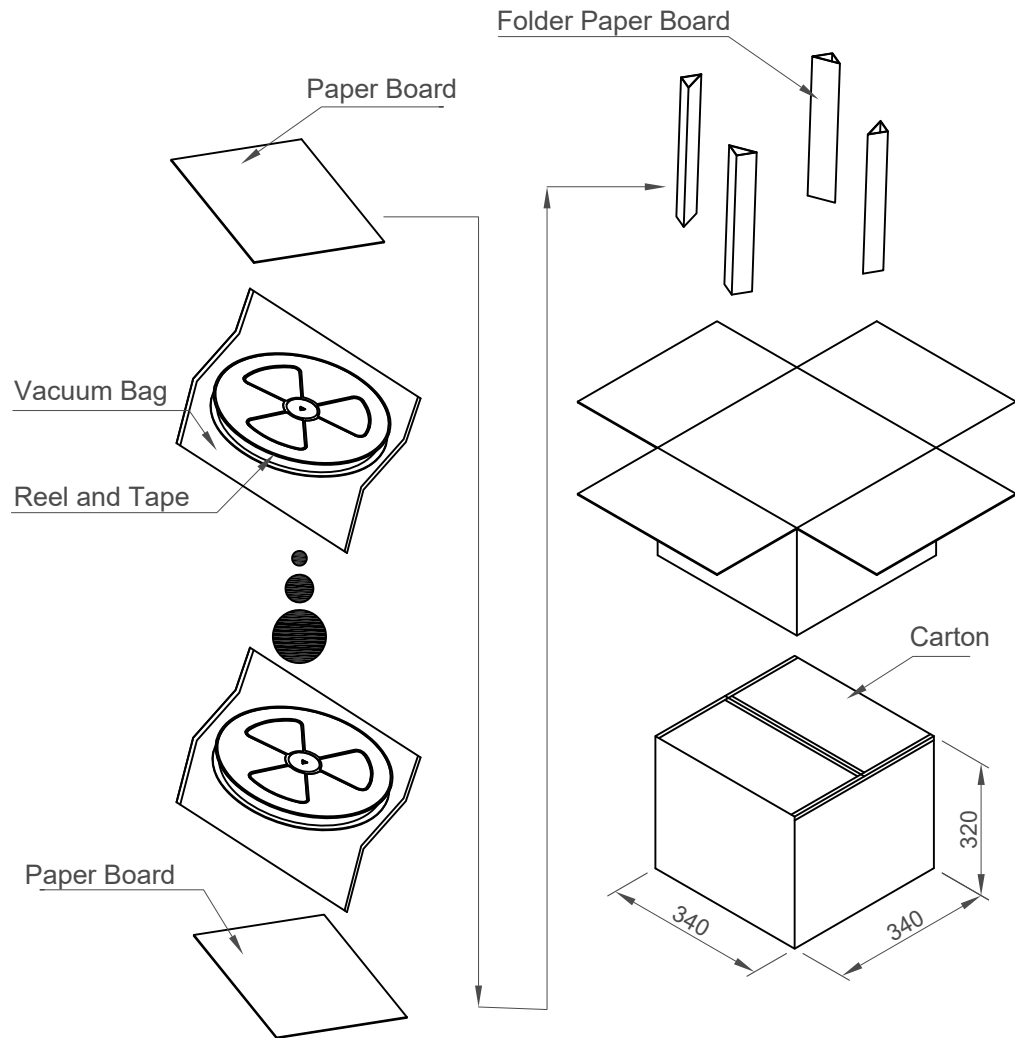
Peeling Angle 165°~180°



Direction of Unreeling



Detail: E



Pcs / Reel	Reels / Carton	Total Quantity
1400	10	14000 pcs

Part Number		Product Description	
USB4515		USB Type C Receptacle, SMT Type, Mid Mount, 1.6mm Offset, For Power Charging Only	
Drawing Date		1st July 2021	
By	CC	Tolerances (Except as Noted)	Units:
Detail	Drawing Release	Length	Metric (mm)
Revision	A	Angle	
Date	01/07/21		



This drawing is confidential and copyright of Global Connector Technology, Ltd (GCT). This drawing must not be copied or disclosed without written consent. E & OE



Not to Scale	Drawn By CC	Sheet No. 2/2
--------------	-------------	---------------

Mouser Electronics

Authorized Distributor

Click to View Pricing, Inventory, Delivery & Lifecycle Information:

[Global Connector Technology \(GCT\):](#)

[USB4515-GF-A](#)