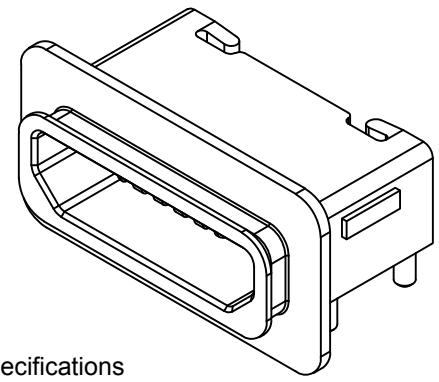


Recommended PCB Layout
 As viewed from component side Tolerance: ±0.03mm
 Recommended PCB Thickness: 0.60mm
 [Hatched Box] Solder Area [Dashed Box] Component Outline



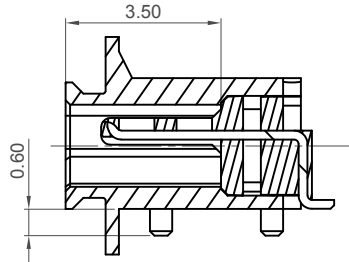
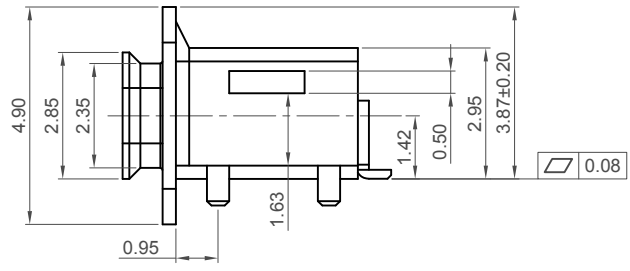
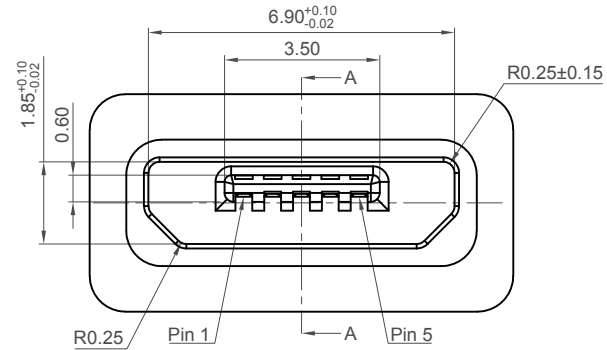
Specifications

Material
 Insulator: High Temp. Plastic UL 94V-0, Black
 Contact: Copper Alloy
 Shell (including pegs): Stainless Steel

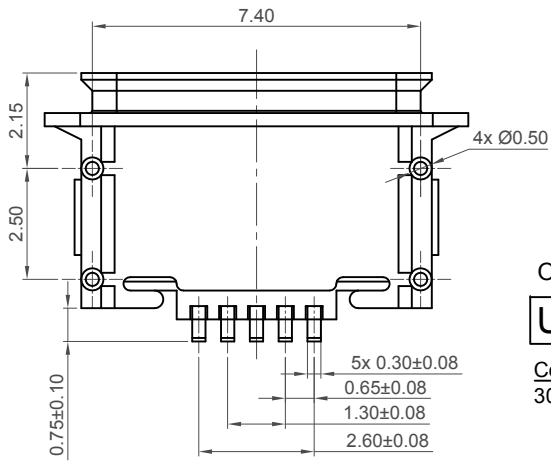
Plating
 Contact
 Contact Area: 30µ" Gold
 Solder Tails: 75µ"-150µ" Matte Tin
 Under Plating: 50µ" Min Nickel
 Shell: 50µ"-80µ" Nickel over all

Electrical
 Current Rating: Signal (Pins 2,3,4): 1.0A
 Power (Pins 1,5): 1.8A
 Voltage Rating: 30V AC
 Contact Resistance: 30mΩ max.
 Dielectric Withstanding Voltage: 100V AC
 Insulation Resistance 1000MΩ min

Mechanical & Environmental
 Operating Temperature: -30°C to +85°C
 Mating Force: 35N max.
 Unmated Force: 8N min.
 Durability: 10,000 cycles
 Ingress Protection Rating: IP67



Section A-A



Ordering Grid
USB3505 - **30** - **A** Request Samples and Quotation
Contact Plating
 30 = 30µ" Gold
Packing Options
 A = Tape & Reel
 (1,000 per reel)

Part Number		Product Description	
USB3505		Micro USB Type B Receptacle, Top-Mount, IP67	
Drawing Date		6th September 2019	
By	CC	Tolerances (Except as Noted)	Units:
Detail	Drawing Release	Length X. ± 0.50 X.X ± 0.30 X.XX ± 0.20 X.XXX ± 0.10	Metric (mm)
Revision	A4	Angle ± 1°	3rd Angle Projection
Date	01/04/20		

RoHS COMPLIANT
2011/65/EU
Deca-SIDE

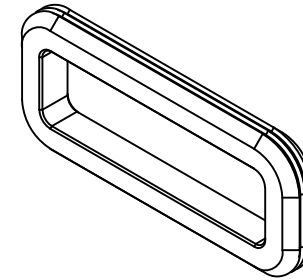
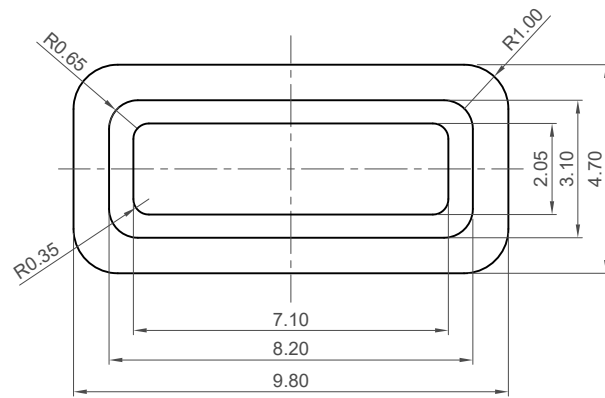
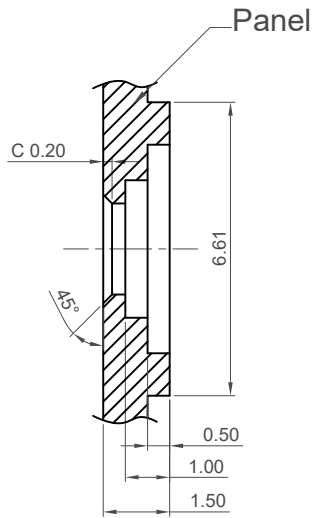
This drawing is confidential and copyright of Global Connector Technology, Ltd (GCT).
This drawing must not be copied or disclosed without written consent. E & OE

GCT
www.gct.co

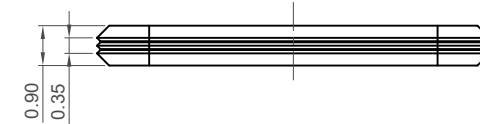
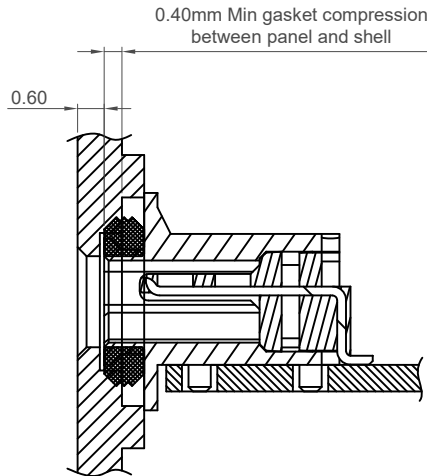
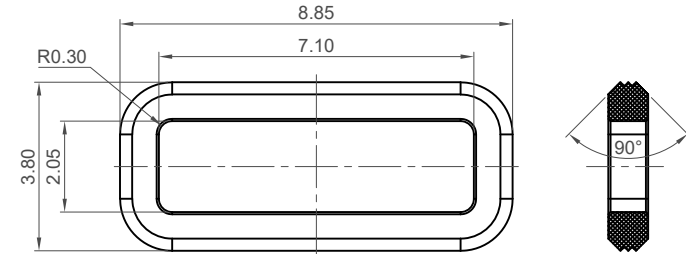
Not to Scale	Drawn By CC	Sheet No. 1/4
--------------	----------------	------------------

H
G
F
E
D
C
B
A

1 2 3 4 5 6 7 8






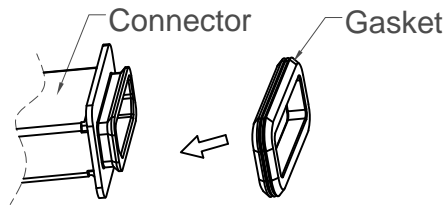
Recommended Panel Spec
Tolerance: $\pm 0.05\text{mm}$



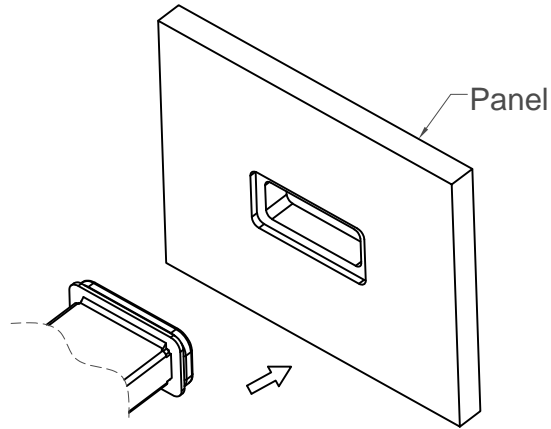
Recommended Waterproof Gasket Spec
Gasket Part No.: USBTJ-02
(Gasket must be ordered separately)
(See separate datasheet for specification)

(Suggest compression 40-50% of gasket thickness)

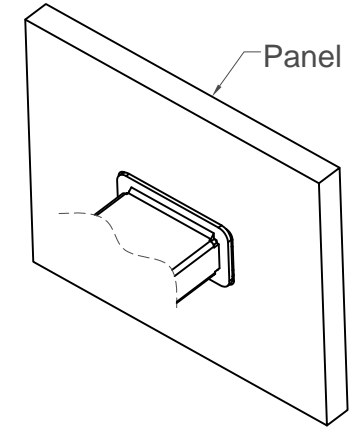
Part Number		Product Description		 www.gct.co
USB3505		Micro USB Type B Receptacle, Top-Mount, IP67		
Drawing Date		6th September 2019		
By	CC	Tolerances (Except as Noted)	Units:	  This drawing is confidential and copyright of Global Connector Technology, Ltd (GCT). This drawing must not be copied or disclosed without written consent. E & OE
Detail	Drawing Release	Length	Metric (mm)	
Revision	A4	Angle	3rd Angle Projection	
Date	01/04/20	X. ± 0.50	$\pm 1^\circ$	
		X.X ± 0.30		
		X.XX ± 0.20		
		X.XXX ± 0.10		
Not to Scale	Drawn By	CC	Sheet No.	2/4



Step 1




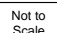
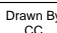
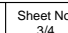


Step 2



Step 3

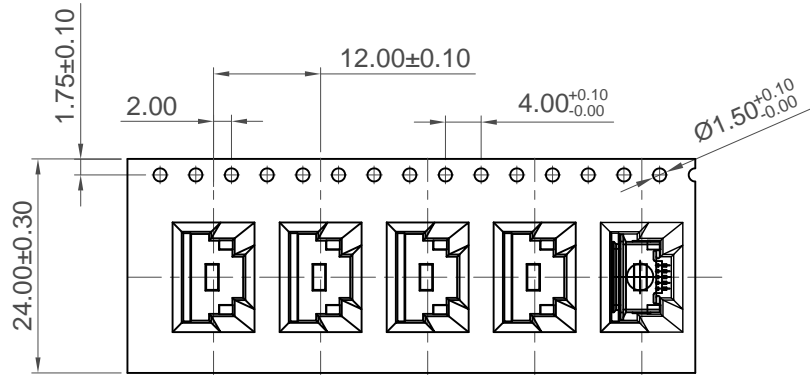
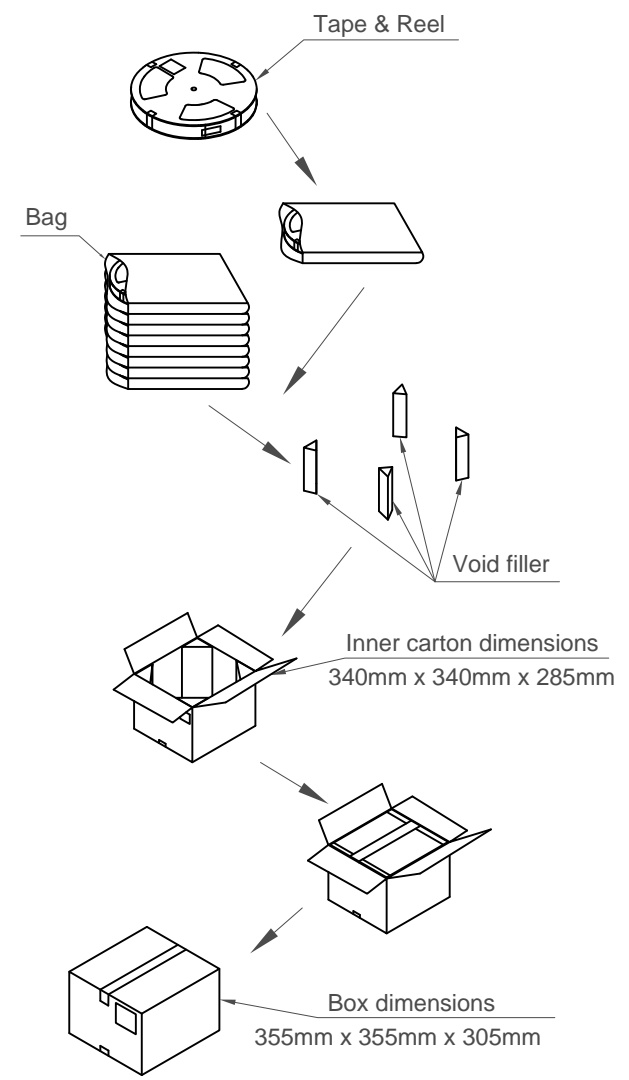
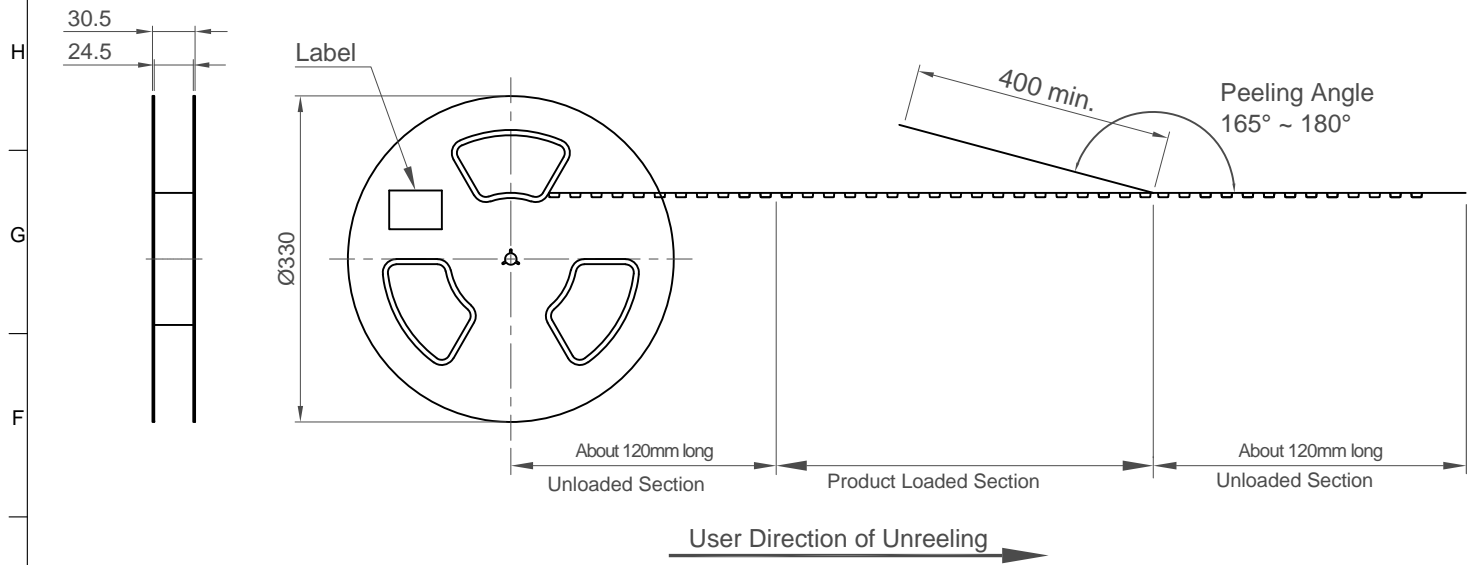
Assembly instruction for Gasket set after Reflow
Available for Micro USB Waterproof Series

Part Number		Product Description				This drawing is confidential and copyright of Global Connector Technology, Ltd (GCT). This drawing must not be copied or disclosed without written consent. E & OE	
USB3505		Micro USB Type B Receptacle, Top-Mount, IP67					
Drawing Date		6th September 2019					
By	CC	Tolerances (Except as Noted)					
Detail	Drawing Release	Length	Angle				
Revision	A4						
Date	01/04/20						



H
G
F
E
D
C
B
A

1 2 3 4 5 6 7 8



Pcs / Reel	Reels / Carton	Total Quantity
1000	9	9000

Notes:
 Peeling off force of top tape: 0.1-1.3N (Peeling direction as shown)

Materials:
 Carrier Tape: Polystyrene (PS)
 Top Tape: PE
 Reel Tape: Polystyrene (PS)
 Bag: PE

Part Number USB3505		Product Description Micro USB Type B Receptacle, Top-Mount, IP67	
Drawing Date 6th September 2019			
By CC	Tolerances (Except as Noted) Length	Units: Metric (mm)	<p>This drawing is confidential and copyright of Global Connector Technology, Ltd (GCT). This drawing must not be copied or disclosed without written consent. E & OE</p>
Detail Drawing Release	Angle	3rd Angle Projection	
Revision A4			
Date 01/04/20			
		 www.gct.co	
		Not to Scale	Drawn By CC
		Sheet No. 4/4	

Mouser Electronics

Authorized Distributor

Click to View Pricing, Inventory, Delivery & Lifecycle Information:

[Global Connector Technology \(GCT\):](#)

[USB3505-30-A-KIT](#)