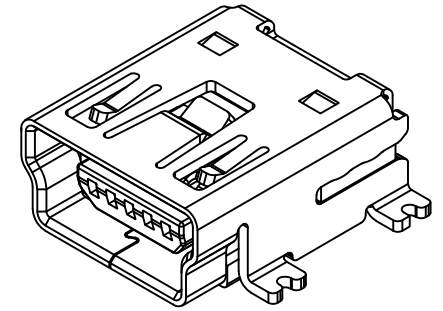


Recommended P.C.B Layout

General Tolerance: ± 0.05
as viewed from component side

▨ Solder Area □ Component Outline



Specifications:

Materials:

Plastic Housing: LCP UL94V-0, Black
Contact Terminal: Phosphor Bronze, T=0.25mm
Metallic Shell: Brass, T=0.4mm

Plating:

Contact Terminal plating:
Underplating: Nickel all over
Contact Area: 15 μ m Gold
Solder Tails: Bright Tin
Metallic Shell plating: Matte Tin 50 μ m all over
Underplating: Nickel 50 μ m all over

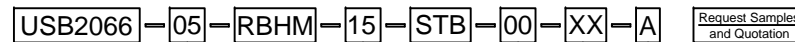
Electrical:

Voltage Rating: 30VDC
Current Rating: 1A
Operating Temperature: -50°C to +85°C
Contact Resistance: 50m Ω Max.
Insulation Resistance: 100M Ω Min
Dielectric Withstanding Voltage:
100VAC for 1 minute, No Discharge or Flash

Mechanical:

Mating Force: 35N (3.57Kg) Max.
Unmating Force: Initial 7N (0.71Kg) Min.
Final 3N (0.31Kg) Min.
Durability: 5,000 Cycles

Ordering Grid



No. of Contacts
05

Contact Plating
15 = 15 μ m Gold

Offset
00 = No Offset

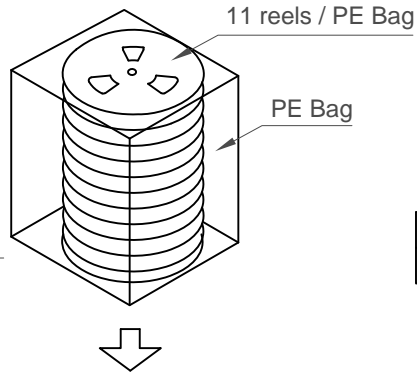
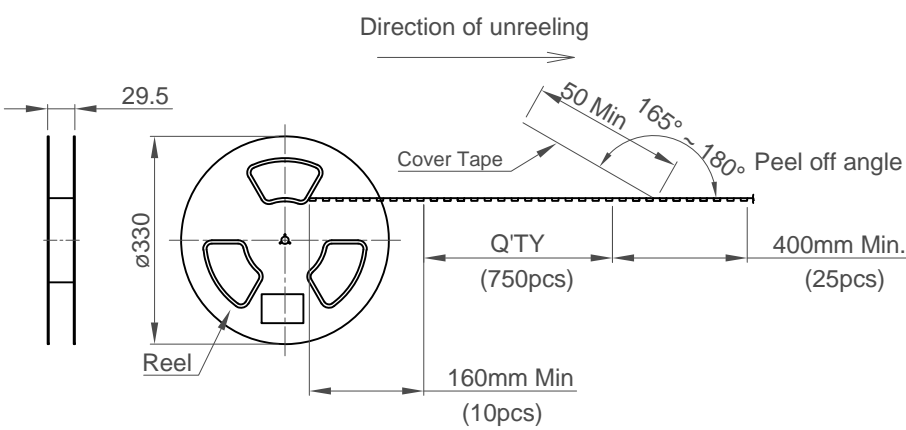
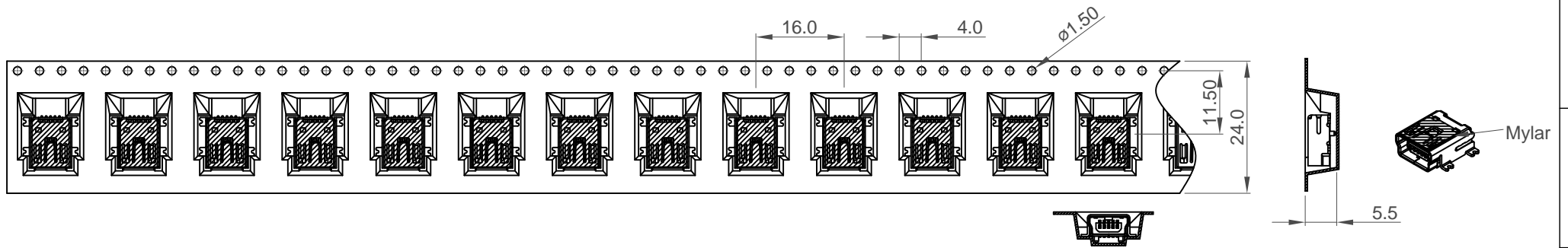
Packing Options

A = Tape & Reel (With Mylar)
(Quantity per Reel: 750 pcs)

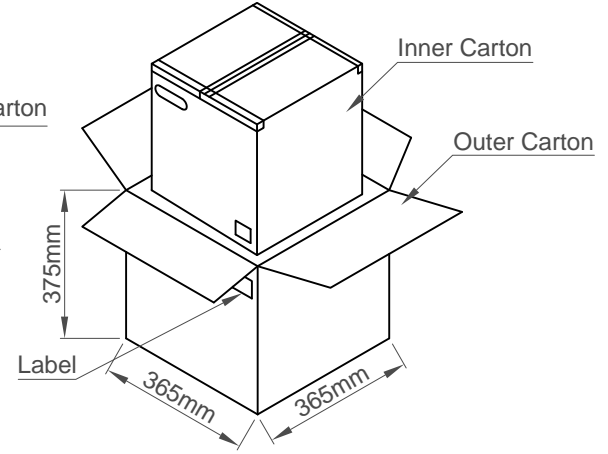
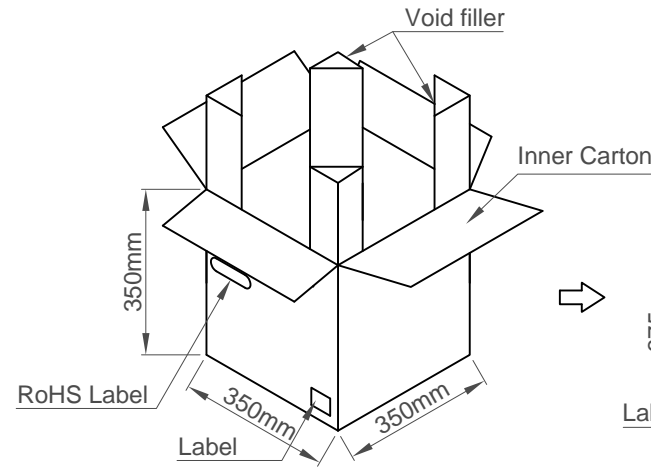
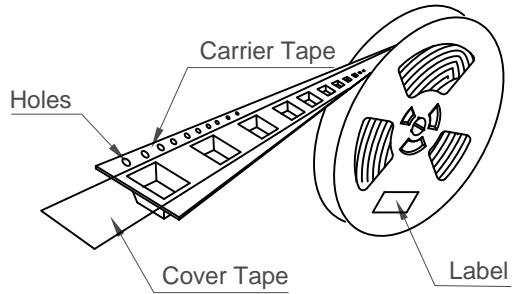
Optional Post

01 = With Post
00 = Without Post

Part Number		Product Description			This drawing is confidential and copyright of Global Connector Technology, Ltd (GCT). This drawing must not be copied or disclosed without written consent. E & OE
USB2066		Mini USB Receptacle, Type B, 5 Pin, SMT, Horizontal, Optional Post, 9.40mm Length			
Drawing Date		4th June 2009			
By	CC	Tolerances (Except as Noted)	Units:		
Detail	USB2066	Length	Metric (mm)		
Revision	D PCN	Angle			
Date	D1	X.X \pm 0.35 X.XX \pm 0.25 X.XXX \pm 0.150	X. $^{\circ}$ \pm 1 $^{\circ}$ X.X $^{\circ}$ \pm 0.5 $^{\circ}$ X.XX $^{\circ}$ \pm 0.25 $^{\circ}$		
Date		17/01/20		Not to Scale Drawn By LYH Sheet No. 1/2	



Pcs / Reel	Reels / Carton	Total Quantity
750	11	8250 pcs



Part Number USB2066		Product Description Mini USB Receptacle, Type B, 5 Pin, SMT, Horizontal, Optional Post, 9.40mm Length	
Drawing Date 4th June 2009			
By CC	Tolerances (Except as Noted) Length Angle	Units: Metric (mm)	
Detail USB2066 D PCN			
Revision D1			
Date 17/01/20			
		This drawing is confidential and copyright of Global Connector Technology, Ltd (GCT). This drawing must not be copied or disclosed without written consent. E & OE	
		 www.gct.co	
		Not to Scale	Drawn By LYH Sheet No. 2/2

Mouser Electronics

Authorized Distributor

Click to View Pricing, Inventory, Delivery & Lifecycle Information:

[Global Connector Technology \(GCT\):](#)

[USB2066-05-RBHM-15-STB-00-00-A](#)