

Summary

The Xilinx[®] Alveo[™] U280 Data Center accelerator card is a full height, dual slot, $\frac{3}{4}$ length (passive cooling) or full length (active cooling) form factor. It supports PCI Express[®] Gen3 x16 or Gen4 x8, is equipped with 8 GB of high-bandwidth memory (HBM2), two 16 GB DDR4 RDIMMs operating at 2400 MT/s, and two QSFP28 Ethernet ports capable of 100 Gb/s each. The Alveo U280 card is designed to accelerate memory-bound, compute-intensive applications including database analytics and machine learning inference.

Alveo Product Details

Table 1: Alveo U280 Accelerator Card Product Details

Specification ¹	Active Cooling Version	Passive Cooling Version
Product SKU	A-U280-A32G-DEV-G ³	A-U280-P32G-PQ-G ³
Total electrical card load ²	215W	215W
Thermal cooling solution	Active	Passive
Weight	1187g	1130g
Form factor	Full height, full length, dual width.	Full height, $\frac{3}{4}$ length, dual width.
Network interface	2x QSFP28	
PCIe Interface ^{4,5}	Gen3 x16, Gen4 x8, CCIX	
HBM2 total capacity	8 GB	
HBM2 total bandwidth	460 GB/s	
Look-up tables (LUTs)	1,304K	
Registers	2,607K	
DSP slices	9,024	
Block RAMs	2,016	
UltraRAMs	960	
DDR total capacity	32 GB	
DDR maximum data rate	2400 MT/s	

Xilinx is creating an environment where employees, customers, and partners feel welcome and included. To that end, we're removing non-inclusive language from our products and related collateral. We've launched an internal initiative to remove language that could exclude people or reinforce historical biases, including terms embedded in our software and IPs. You may still find examples of non-inclusive language in our older products as we work to make these changes and align with evolving industry standards.

Table 1: Alveo U280 Accelerator Card Product Details (cont'd)

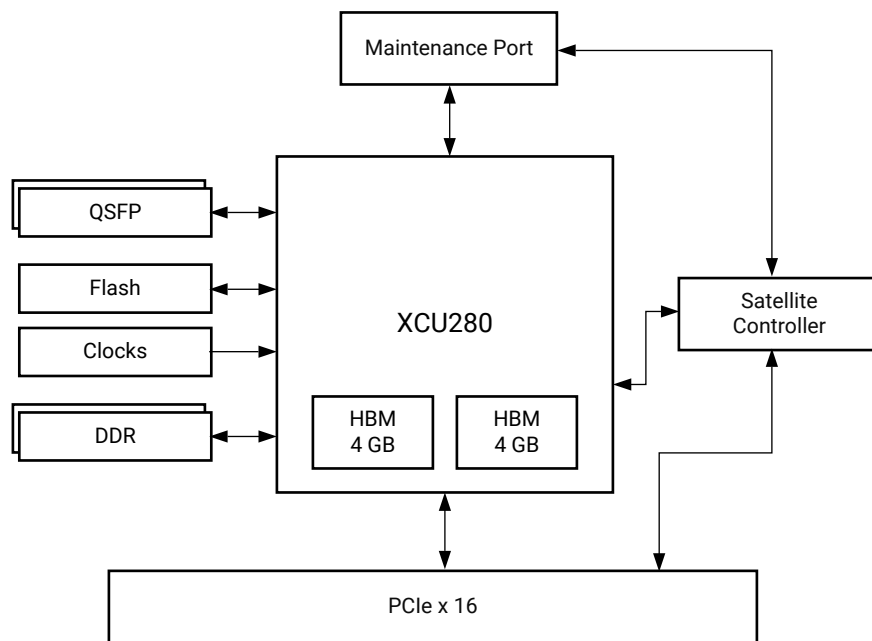
Specification ¹	Active Cooling Version	Passive Cooling Version
DDR total bandwidth	38 GB/s	

Notes:

1. The specifications in this data sheet apply to production U280 cards. Any differences in U280 ES1 card specifications and capabilities are documented in the U280 ES1 Known Issues Xilinx Answer Record [71975](#).
2. The 215W PCIe CEM card can take 65W from the standard connector 12V supply and an additional 150W from the AUX connector 12V supply. The 3.3V supply from the standard connector is not used on this card. The CEM card requires that a 150W PCIe AUX power cable be connected to the card.
3. Passive and active cooling cards are qualified for deployment. The active DEV part number includes a USB cable for development purposes. For volume ordering options on active cards without USB cable included, contact your local Xilinx sales representative.
4. The PCIe interface can be configured to support a variety of link widths and speeds. The maximum is Gen3 (8 GT/s) x16, Gen4 (16 GT/s) x8, or CCIX operating at 16 GT/s x8. The PCIe interface can also be configured into dual x8 interfaces and connected to hosts that support PCIe bifurcation.
5. This block operates in compatibility mode for 16.0 GT/s (Gen4) operation. Refer to *UltraScale+ Devices Integrated Block for PCI Express LogiCORE IP Product Guide* ([PG213](#)) for details on compatibility mode.

The following figure shows the components within an Alveo U280 accelerator card.

Figure 1: U280 Block Diagram



X23519-111319

Card Specifications

Dimensions

The card is compliant with the PCIe CEM rev.3.0 Specification as a dual-slot, standard height card. The card with the passive cooling enclosure is three-quarter length, and the card with the active cooling enclosure is full length.

Table 2: Card Dimensions

Parameter	Dimension
Height	4.375 inch (111.15 mm)
Active cooling enclosure installed	
Assembly length	11.69 inch (297 mm)
Assembly width	1.54 inch (39.04 mm)
Passive cooling enclosure installed	
Assembly length	9.53 inch (242 mm)
Assembly thickness	1.54 inch (39.04 mm)

PCIe Connector/Data Rates

The Alveo U280 accelerator card uses an UltraScale+™ FPGA containing a PCIE4C block. The PCIE4C block is compliant to the PCI Express Base Specification v3.1 supporting up to 8.0 GT/s (Gen3 x16) and compatible with PCI Express Base Specification v4.0 supporting up to 16.0 GT/s (Gen4 x8). The PCIE4C block is also compliant with CCIX Base Specification Revision 1.0 v0.9, supporting speeds up to 16.0 GT/s.

Table 3: PCI Express Data Transfer Rate Performance

PCI Express Generation	Performance
Gen 1	2.5 GigaTransfers per second (GT/s)
Gen 2	5.0 GT/s
Gen 3	8.0 GT/s
Gen 4 ¹	16.0 GT/s

Notes:

- For a list of limitations when operating at the Gen4 rate, see *UltraScale+ Devices Integrated Block for PCI Express LogiCORE IP Product Guide* (PG213).

DDR4 Specifications

Two 288-pin DDR4 DIMM sockets are populated with single rank DIMMs capable of operating at data rates up to 2400 MegaTransfers per second (MT/s).

Table 4: DDR4 Interfaces

Alveo Card	Parameter	Description	
A-U280-A32G-DEV-G A-U280-P32G-PQ-G	Manufacturer	Micron	
	Part Number	MTA18ASF2G72PZ-2G3B1	
	Description	16 GB 288-pin DDR4 RDIMM	
		Configuration: 2 Gb x 72	
		Single rank	
		Supports ECC error detection and correction	
Supports 2400 MT/s			

For more details about the Micron DDR4 DIMM, see the Micron MTA18ASF2G72PZ-2G3B1IG data sheet at www.micron.com.

Network Interfaces

The Alveo U280 accelerator cards host two 100G interfaces, each comprised of a 4-lane QSFP28 connector. The QSFP case temperature must be less than 85°C for class 3 optical modules (< 2.5W), and less than 70°C for class 4 optical modules (< 3.5W). The user needs to provide sufficient airflow and ambient temperature to ensure the optical module remains within the manufacturer's specification. For available platforms, see *Alveo Data Center Accelerator Card Platforms User Guide* (UG1120). Each connector is housed within a single QSFP cage assembly located at the I/O bracket.

USB Maintenance Port

The Alveo U280 accelerator cards include a micro-USB maintenance port located at the back of the card.

Qualified Servers

A list of servers on which Alveo cards are fully qualified can be found here: <https://www.xilinx.com/products/boards-and-kits/alveo/qualified-servers.html>.

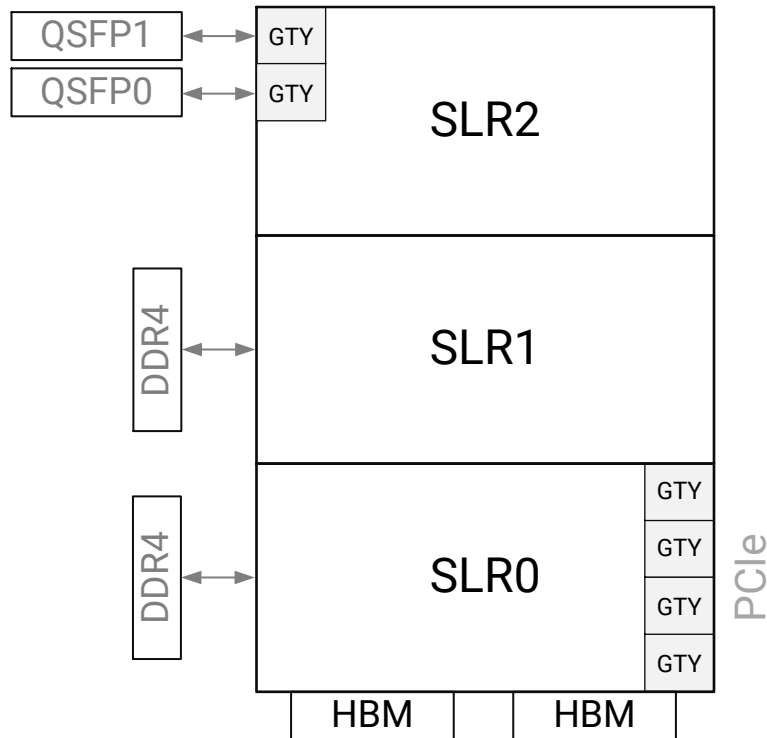
Operating System Compatibility

For the most up-to-date operating system support, refer to the *Vitis Unified Software Platform Documentation: Application Acceleration Development* (UG1393).

FPGA Resource Information

The Xilinx Alveo U280 accelerator card is a custom-built UltraScale+ FPGA that runs optimally (and exclusively) on the Alveo architecture. The Alveo U280 card features the XCU280 FPGA, which uses Xilinx stacked silicon interconnect (SSI) technology to deliver breakthrough FPGA capacity, bandwidth, and power efficiency. This technology allows for increased density by combining multiple super logic regions (SLRs). The XCU280 comprises three SLRs with the bottom SLR (SLR0) integrating an HBM controller to interface with the adjacent 8 GB HBM2 memory. The bottom SLR also connects to 16 lanes of PCI Express® that can operate up to 16 GT/s (Gen4). SLR0 and SLR1 both connect to a DDR4 16 GB, 2400 MT/s, 64-bit with error correcting code (ECC) DIMM for a total of 32 GB of DDR4. SLR2 connects two QSFP28 connectors with associated clocks generated on the U280 board. The following figure shows the three SLR regions along with the connections for PCIe, DDR4, and QSFP28. The HBM is co-located on the XCU280 device and connects directly to SLR0.

Figure 2: Floorplan of the XCU280 Device



For customers using the Vitis™ application acceleration development flow, a platform is created that manages the PCIe interface, data transfers, and card status information. It also remotely loads kernels and performs several functions that greatly simplify developing an application. This platform is part of the static region (an area of the FPGA that is not reconfigurable). This platform consumes resources from the available resources listed in Table 1. The specific amount of resources depends on which platform, and even which version of a platform is used. This information is available in *Alveo Data Center Accelerator Card Platforms User Guide (UG1120)*.

For developing applications, refer to the *Vitis Unified Software Platform Documentation: Application Acceleration Development (UG1393)*.

Thermal Specification

Ambient Conditions

The ambient conditions are detailed in the following sections.

Operating and Storage Temperature Conditions

Table 5: Operating and Storage Temperatures and Humidity Conditions

Specification	Condition
Operating temperature	0°C to 45°C
Storage temperature	-40°C to 75°C

Table 5: Operating and Storage Temperatures and Humidity Conditions (cont'd)

Specification	Condition
Operating humidity, non-condensing	8% to 90%
Storage humidity, non-condensing	5% to 95%

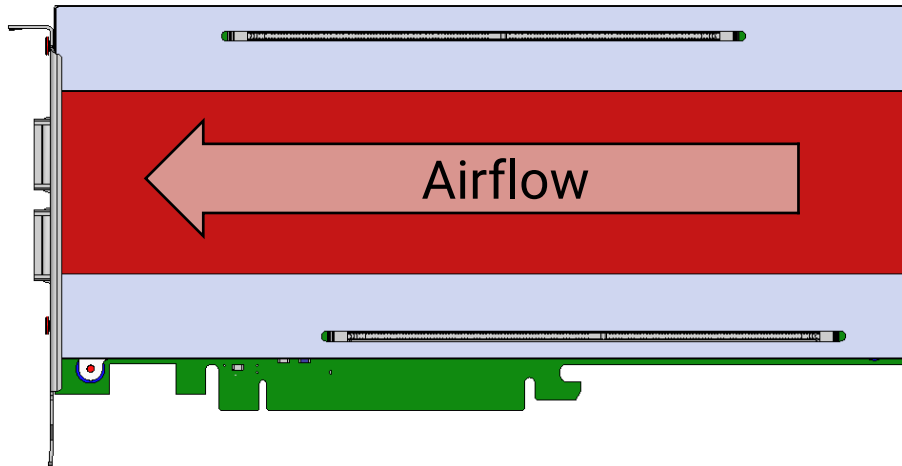
Related Information

[Operating Conditions](#)

Airflow Direction Support

Passive cards do not include a built-in fan and therefore require an external mechanism to ensure proper airflow for cooling. Passive cards should not be powered without a forced airflow mechanism in place. The passively cooled Alveo U280 cards support airflow as illustrated below.

Figure 3: Airflow Direction for Passively Cooled Cards



X22070-021519

Note: Other environmental conditions are possible, including bidirectional flow. However, this is specific to server configurations, and testing is performed by individual OEMs. Contact your server provider for more information and options.

Operating Conditions

Inlet Temperature versus Airflow Requirement in Server

The following tables provide the required airflow rate and airflow speed to the card under various operating conditions.

Note: In the following tables, the term *load* refers to the total thermal power dissipation of the card.

Table 6: Inlet Temperature versus Airflow Requirement for the U280 Card at Sea Level with ~190W Load for 70°C Rated QSFP

Inlet Temperature versus Airflow Requirement of PCIe Card Slot (39.62 mm x 97.54 mm) at Sea Level for 70°C Rated QSFP			
Inlet Temperature to the Card (°C)	Linear Feet per Minute (LFM)	Cubic Feet per Minute (CFM)	Pressure (inwg)
5	300	12.5	0.37
10	320	13.3	0.42
15	350	14.6	0.50
20	390	16.2	0.62
25	440	18.3	0.79
30	500	20.8	1.02
35	570	23.7	1.32
40	660	27.5	1.77
45	750	31.2	2.28
50 (not supported)	870	36.2	3.06

Table 7: Inlet Temperature versus Airflow Requirement for the U280 Card at Sea Level with ~190W Load for 85°C Rated QSFP

Inlet Temperature versus Airflow Requirement of PCIe Card Slot (39.62 mm x 97.54 mm) at Sea Level for 85°C Rated QSFP			
Inlet Temperature to the Card (°C)	Linear Feet per Minute (LFM)	Cubic Feet per Minute (CFM)	Pressure (inwg)
5	220	9.2	0.20
10	230	9.6	0.22
15	250	10.4	0.26
20	280	11.6	0.32
25	310	12.9	0.40
30	350	14.6	0.50
35	390	16.2	0.62
40	450	18.7	0.83
45	520	21.6	1.10
50 (not supported)	600	25.0	1.46

Table 8: Inlet Temperature versus Airflow Requirement for the U280 Card above Sea Level with ~190W Load for 70°C Rated QSFP

Inlet Temperature versus Airflow Requirement of PCIe Card Slot (39.62 mm x 97.54 mm) at 1200m above Sea Level for 70°C Rated QSFP			
Inlet Temperature to the Card (°C)	Linear Feet per Minute (LFM)	Cubic Feet per Minute (CFM)	Pressure (inwg)
5	300	12.5	0.37
10	320	13.3	0.42
15	350	14.6	0.50
20	390	16.2	0.62

Table 8: Inlet Temperature versus Airflow Requirement for the U280 Card above Sea Level with ~190W Load for 70°C Rated QSFP (cont'd)

Inlet Temperature versus Airflow Requirement of PCIe Card Slot (39.62 mm x 97.54 mm) at 1200m above Sea Level for 70°C Rated QSFP			
Inlet Temperature to the Card (°C)	Linear Feet per Minute (LFM)	Cubic Feet per Minute (CFM)	Pressure (inwg)
25	440	18.3	0.79
30	500	20.8	1.02
35	570	23.7	1.32
40	660	27.5	1.77
45	750	31.2	2.28
50 (not supported)	870	36.2	3.06

Table 9: Inlet Temperature versus Airflow Requirement for the U280 Card above Sea Level with ~190W Load for 85°C Rated QSFP

Inlet Temperature versus Airflow Requirement of PCIe Card Slot (39.62 mm x 97.54 mm) at 1200m above Sea Level for 85°C Rated QSFP			
Inlet Temperature to the Card (°C)	Linear Feet per Minute (LFM)	Cubic Feet per Minute (CFM)	Pressure (inwg)
5	240	10.0	0.24
10	250	10.4	0.26
15	270	11.2	0.30
20	300	12.5	0.37
25	330	13.7	0.45
30	370	15.4	0.56
35	420	17.5	0.72
40	480	20.0	0.94
45	560	23.3	1.28
50 (not supported)	650	27.0	1.72

Temperature Gradient

The Alveo accelerator card and its thermal management device should be able to operate at a temperature/time gradient of 15°C/hour in its ambient surroundings. The thermal management device is the heat sink, shroud, backplate, top plate, and fan (for active solutions).

Humidity

The Alveo accelerator card and its thermal management device should be able to operate in a RH (relative humidity) range of 8% to 90% and a dew point of -12°C DP without condensation.

Storage and Non-Operating Conditions

The Alveo accelerator card and its thermal management device should be stored or maintained in non-operating conditions in a RH range of 5% to 95% without condensation and an ambient temperature range of -40°C to 75°C.

Regulatory Compliance Statements

Note: The following sections contain information in languages other than English. This is required for regulatory compliance.

FCC Class A Products

Regulatory Compliance Statements are valid for the production version of Alveo™ cards; not for ES cards.

Note: These devices are for use with UL Listed Servers or I.T.E.

Safety Compliance

The following safety standards apply to all products listed above.

- UL 60950-1, 2nd Edition, 2014-10-14 (Information Technology Equipment - Safety - Part 1: General Requirements)
- CSA C22.2 No. 60950-1-07, 2nd Edition, 2014-10-14 (Information Technology Equipment - Safety - Part 1: General Requirements)
- EN 60950-1:2006+A11:2009+A1:2012+A12:2011+A2:2013 (European Union)
- IEC 60950-1:2005 (2nd Edition); Am 1:2009 (International)
- EU LVD Directive 2014/35/EU

EMC Compliance

The following standards apply.

Class A Products

- FCC Part 15 – Radiated & Conducted Emissions (USA)
- CAN ICES-3(A)/NMB-3(A) – Radiated & Conducted Emissions (Canada)
- CISPR 32 – Radiated & Conducted Emissions (International)
- EN55032: 2015 – Radiated & Conducted Emissions (European Union)
- EN55035:2017 – Immunity (European Union)
- EMC Directive 2014/30/EU
- VCCI (Class A)– Radiated & Conducted Emissions (Japan)
- CNS13438 – Radiated & Conducted Emissions (Taiwan)
- CNS 15663 - RoHS (Taiwan)

- AS/NZS CISPR 32 – Radiated and Conducted Emissions (Australia/New Zealand)
- Article 58-2 of Radio Waves Act, Clause 3 (Korea)

Regulatory Compliance Markings


When required, these products are provided with the following Product Certification Markings:


- UL Listed Accessories Mark for the USA and Canada
- CE mark
- FCC markings
- VCCI marking
- Australian C-Tick mark
- Korea MSIP mark
- Taiwan BSMI mark


FCC Class A User Information


The Class A products listed above comply with Part 15 of the FCC Rules. Operation is subject to the following two conditions:

1. This device may not cause harmful interference.
2. This device must accept any interference received, including interference that may cause undesired operation.

 **IMPORTANT!** *This equipment has been tested and found to comply with the limits for a Class A digital device, pursuant to Part 15 of the FCC rules. These limits are designed to provide reasonable protection against harmful interference when the equipment is operated in a commercial environment. This equipment generates, uses, and can radiate radio frequency energy and, if not installed and used in accordance with the instructions, may cause harmful interference to radio communications. Operation of this equipment in a residential area is likely to cause harmful interference, in which case the user will be required to correct the interference at his or her own expense.*

 **IMPORTANT!** *Cet équipement a été testé et jugé conforme à la Class A digital device, conformément à la règle 15 du standard FCC. Ces limites sont conçues pour fournir des protections contre des interférences nuisibles lorsque l'équipement est utilisé dans un environnement commercial. Cet équipement génère, utilise et peut émettre des énergies de radio-fréquence et, s'il n'est pas installé et utilisé conformément aux instructions, peut nuire aux communications radio. L'exploitation de cet équipement dans une zone résidentielle est susceptible de causer des interférences nuisibles, auquel cas l'utilisateur peut être tenu de prendre des mesures adéquates à ses propres frais.*

 **WICHTIG!** *Dieses Gerät wurde getestet und entspricht den Grenzwerten für digitale Geräte der Klasse A gemäß Teil 15 der FCC-Bestimmungen. Diese Grenzwerte bieten einen angemessenen Schutz gegen schädliche Interferenzen, wenn das Gerät in einer gewerblichen Umgebung betrieben wird. Dieses Gerät erzeugt und verwendet Hochfrequenzenergie und kann diese abstrahlen. Wenn es nicht gemäß den Anweisungen installiert und verwendet wird, kann dies Funkstörungen verursachen. Der Betrieb dieses Geräts in einem Wohngebiet kann schädliche Interferenzen verursachen. In diesem Fall muss der Benutzer die Interferenz auf eigene Kosten beheben.*

 **CAUTION!** *If the device is changed or modified without permission from Xilinx, the user may void his or her authority to operate the equipment.*



ATTENTION! Si l'appareil est modifié sans l'autorisation de Xilinx, l'utilisateur peut annuler son habilité à utiliser l'équipement.



VORSICHT! Wenn das Gerät ohne Erlaubnis von Xilinx geändert wird, kann der Benutzer seine Berechtigung zum Betrieb des Geräts verlieren.

Canadian Compliance (Industry Canada)

CAN ICES-3(A)/NMB-3(A)

VCCI Class A Statement

この装置は、クラス A 情報技術装置です。この装置を家庭環境で使用すると電波妨害を引き起こすことがあります。この場合には使用者が適切な対策を構ずるよう要求されることがあります。

VCCI-A

KCC Notice Class A (Republic of Korea Only)

A급 기기
(업무용 방송통신기기)

이 기기는 업무용(A급)으로 전자파적합등록을 한 기기이오니 판매자 또는 사용자는 이 점을 주의하시기 바라며, 가정외의 지역에서 사용하는 것을 목적으로 합니다.

CLASS A device
(commercial broadcasting
and communication
equipment)

This device has been approved by EMC registration. Distributors or users pay attention to this point. This device is usually aimed to be used in other area except at home

BSMI Class A Notice (Taiwan)

警告使用者:

此為甲類資訊技術設備，於居住環境中使用時，可能會造成射頻擾動，在此種情況下，使用者會被要求採取某些適對的對策。

EU WEEE Logo



Manufacturer Declaration European Community



Manufacturer Declaration

Xilinx declares that the equipment described in this document is in conformance with the requirements of the European Council Directive listed below:

- Low Voltage Directive 2014/35/EU
- EMC Directive 2014/30/EU
- RoHS Directive 2011/65/EU
- China RoHS Declaration: Standards SJ/T 11363-2006, 11364-2006, and GB/T 26572-2011

These products follow the provisions of the European Directive 2014/53/EU.

Dette produkt er i overensstemmelse med det europæiske direktiv 2014/53/EU.

Dit product is in navolging van de bepalingen van Europees Directief 2014/53/EU.

Tämä tuote noudattaa EU-direktiivin 2014/53/EU määräyksiä.

Ce produit est conforme aux exigences de la Directive Européenne 2014/53/EU.

Dieses Produkt entspricht den Bestimmungen der Europäischen Richtlinie 2014/53/EU.

Þessi vara stenst reglugerð Evrópska Efnahags Bandalagsins númer 2014/53/EU.

Questo prodotto è conforme alla Direttiva Europea 2014/53/EU.

Dette produktet er i henhold til bestemmelsene i det europeiske direktivet 2014/53/EU.

Este produto cumpre com as normas da Diretiva Europeia 2014/53/EU.

Este producto cumple con las normas del Directivo Europeo 2014/53/EU.

Denna produkt har tillverkats i enlighet med EG-direktiv 2014/53/EU.

This declaration is based upon compliance of the Class A products listed above to the following standards:

EN 55032 (CISPR 32 Class A) RF Emissions Control.

EN 55024:2010 (CISPR 24) Immunity to Electromagnetic Disturbance.

EN 60950-1:2006/A11:2009 A1:2010/A12:2011 Information Technology Equipment- Safety-Part 1: General Requirements.

EN 50581:2012 - Technical documentation for the assessment of electrical and electronic products with respect to the restriction of hazardous substances.

CAUTION! *In a domestic environment, Class A products may cause radio interference, in which case the user may be required to take adequate measures.*

ATTENTION! *Dans un environnement domestique, les produits de Classe A peuvent causer des interférences radio, auquel cas l'utilisateur peut être tenu de prendre des mesures adéquates.*

VORSICHT! *In einer häuslichen Umgebung können Produkte der Klasse A Funkstörungen verursachen. In diesem Fall muss der Benutzer möglicherweise geeignete Maßnahmen ergreifen.*

Responsible Party

Xilinx, Inc.
 2100 Logic Drive, San Jose, CA 95124
 United States of America
 Phone: (408) 559-7778

References

The following documents provide additional information.

- [Getting Started with Alveo Data Center Accelerator Cards \(UG1301\)](#)
- [Alveo Data Center Accelerator Card Platforms User Guide \(UG1120\)](#)

Revision History

The following table shows the revision history for this document.

Section	Revision Summary
09/24/2021 Version 1.4	
Table 1	Updated total electrical card load from 225W to 215W.
Manufacturer Declaration European Community	Removed GS compliance mark.
05/11/2020 Version 1.3	
Summary	Updated description of DDR4 RDIMMs.
Table 1	Updated number of LUTs and added block RAMs.
Network Interfaces	Updated wattage description.
FPGA Resource Information	Updated paragraph after Figure 2 .
Table 2	Updated assembly length for active cooling enclosure installed.
Table 5	Updated operating temperature.
Standard Compliance Details	Removed section.

Section	Revision Summary
Airflow Direction Support	Added note after figure.
Operating Conditions	Updated tables.
Humidity	Updated upper end of relative humidity range from 85% to 90%.
Storage and Non-Operating Conditions	Updated upper end of relative humidity range from 90% to 95%.
11/20/2019 Version 1.2	
General updates	Updated to the Vitis unified software platform throughout.
General updates	Updated to the Vitis unified software platform throughout.
Alveo Product Details	Updated table and figure.
Qualified Servers	Replaced table with link to Alveo Qualified Servers Catalog.
Network Interfaces	Removed sentence about QSFP connectors not being supported in target platform.
Operating System Compatibility	Updated section.
FPGA Resource Information	Updated section, including figure.
06/28/2019 Version 1.1	
Alveo Product Details	Updated the block diagram.
Qualified Servers	Added servers.
Operating System Compatibility	Updated operating systems.
Standard Compliance Details	Added a note about altitude.
02/15/2019 Version 1.0	
Initial release	N/A

Please Read: Important Legal Notices

The information disclosed to you hereunder (the "Materials") is provided solely for the selection and use of Xilinx products. To the maximum extent permitted by applicable law: (1) Materials are made available "AS IS" and with all faults, Xilinx hereby DISCLAIMS ALL WARRANTIES AND CONDITIONS, EXPRESS, IMPLIED, OR STATUTORY, INCLUDING BUT NOT LIMITED TO WARRANTIES OF MERCHANTABILITY, NON-INFRINGEMENT, OR FITNESS FOR ANY PARTICULAR PURPOSE; and (2) Xilinx shall not be liable (whether in contract or tort, including negligence, or under any other theory of liability) for any loss or damage of any kind or nature related to, arising under, or in connection with, the Materials (including your use of the Materials), including for any direct, indirect, special, incidental, or consequential loss or damage (including loss of data, profits, goodwill, or any type of loss or damage suffered as a result of any action brought by a third party) even if such damage or loss was reasonably foreseeable or Xilinx had been advised of the possibility of the same. Xilinx assumes no obligation to correct any errors contained in the Materials or to notify you of updates to the Materials or to product specifications. You may not reproduce, modify, distribute, or publicly display the Materials without prior written consent. Certain products are subject to the terms and conditions of Xilinx's limited warranty, please refer to Xilinx's Terms of Sale which can be viewed at <https://www.xilinx.com/legal.htm#tos>; IP cores may be subject to warranty and support terms contained in a license issued to you by Xilinx. Xilinx products are not designed or intended to be fail-safe or for use in any application requiring fail-safe performance; you assume sole risk and liability for use of Xilinx products in such critical applications, please refer to Xilinx's Terms of Sale which can be viewed at <https://www.xilinx.com/legal.htm#tos>.

AUTOMOTIVE APPLICATIONS DISCLAIMER

AUTOMOTIVE PRODUCTS (IDENTIFIED AS "XA" IN THE PART NUMBER) ARE NOT WARRANTED FOR USE IN THE DEPLOYMENT OF AIRBAGS OR FOR USE IN APPLICATIONS THAT AFFECT CONTROL OF A VEHICLE ("SAFETY APPLICATION") UNLESS THERE IS A SAFETY CONCEPT OR REDUNDANCY FEATURE CONSISTENT WITH THE ISO 26262 AUTOMOTIVE SAFETY STANDARD ("SAFETY DESIGN"). CUSTOMER SHALL, PRIOR TO USING OR DISTRIBUTING ANY SYSTEMS THAT INCORPORATE PRODUCTS, THOROUGHLY TEST SUCH SYSTEMS FOR SAFETY PURPOSES. USE OF PRODUCTS IN A SAFETY APPLICATION WITHOUT A SAFETY DESIGN IS FULLY AT THE RISK OF CUSTOMER, SUBJECT ONLY TO APPLICABLE LAWS AND REGULATIONS GOVERNING LIMITATIONS ON PRODUCT LIABILITY.

Copyright

© Copyright 2019–2021 Xilinx, Inc. Xilinx, the Xilinx logo, Alveo, Artix, Kintex, Spartan, Versal, Virtex, Vivado, Zynq, and other designated brands included herein are trademarks of Xilinx in the United States and other countries. PCI, PCIe, and PCI Express are trademarks of PCI-SIG and used under license. All other trademarks are the property of their respective owners.

Mouser Electronics

Authorized Distributor

Click to View Pricing, Inventory, Delivery & Lifecycle Information:

[Xilinx:](#)

[A-U280-P32G-ES1-G](#) [A-U280-A32G-ES1-G](#) [A-U280-A32G-DEV-G](#) [A-U280-P32G-PQ-G](#) [UP-A-U280-A32G-DEV-G](#)
[UP-A-U280-P32G-PQ-G](#)