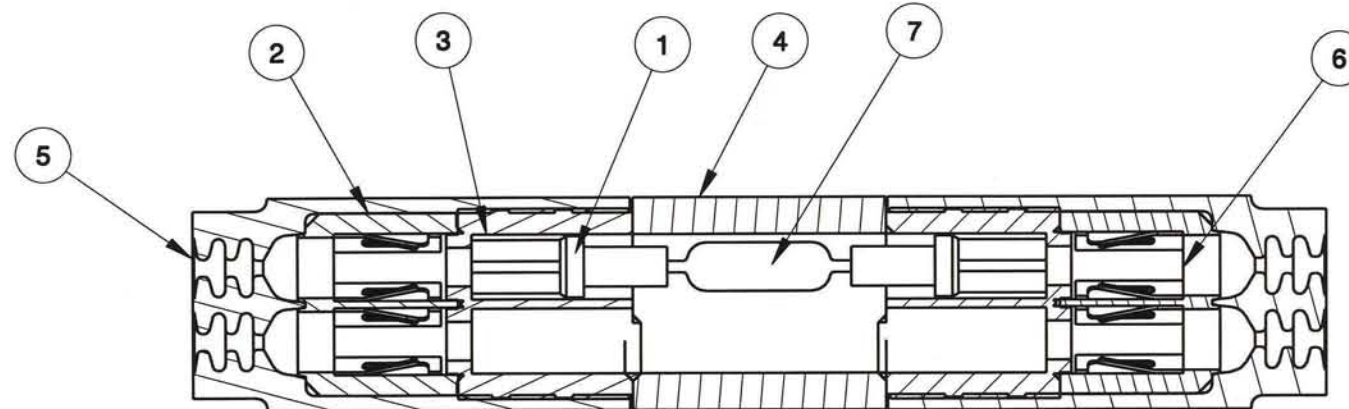
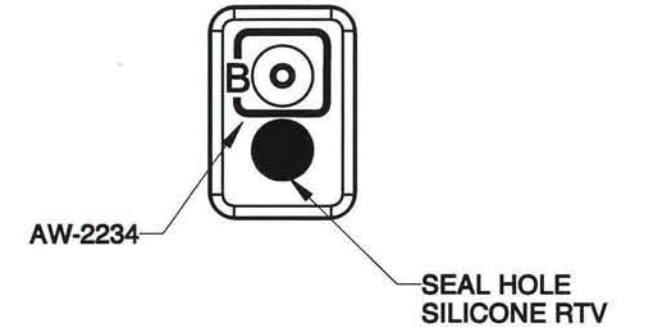
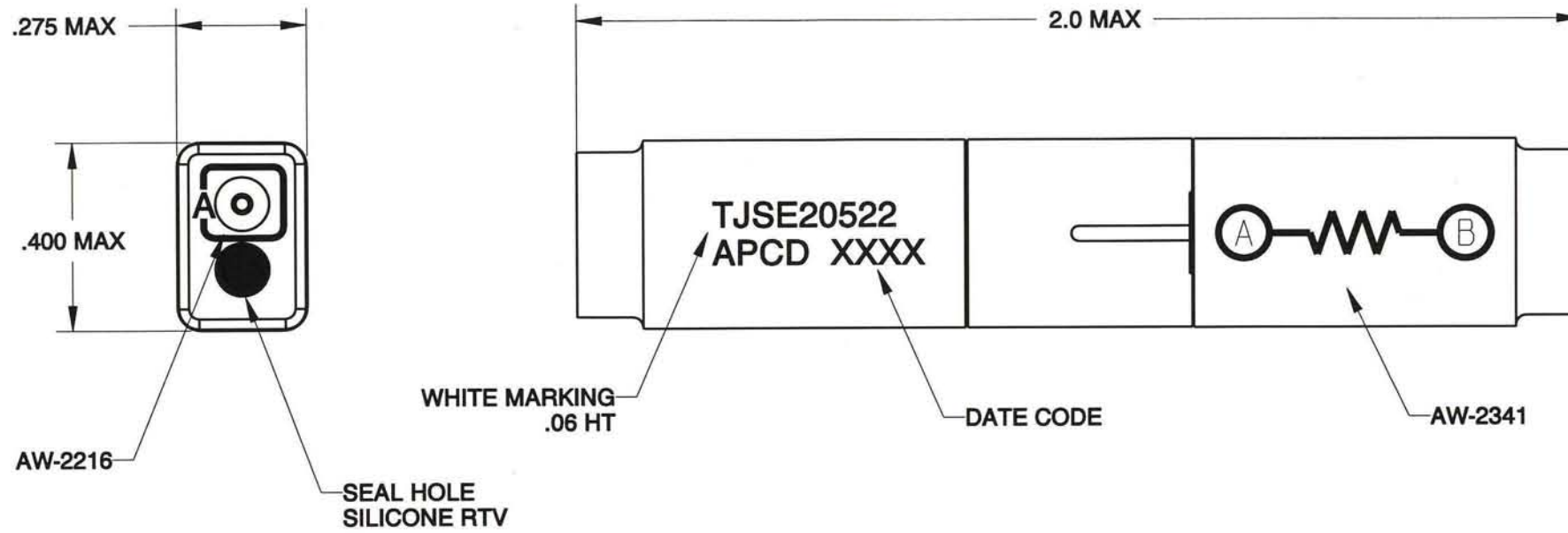


TJSE20522

REV	ECN	DESCRIPTION	APP'D
-	5831	RELEASE	3-22-06



SECTION A-A

- NOTES:
- MATERIALS:
 HOUSING: POLYETHERIMIDE, COLOR BLACK
 GROMMET: SILICONE ELASTOMER, COLOR BLUE
 INTERNAL CONTACT: COPPER ALLOY, GOLD PLATED, PER MIL-G-45204, TYPE I, GRADE C, CLASS I.
 CONTACT RETAINER: STAINLESS STEEL
 - SPLICE ACCEPTS (2) MATING M39029/1-101 CONTACTS (NOT INCLUDED)
 - PART COMPLIES TO ALL REQUIREMENTS PER MIL-T-81714.
 - RESISTOR: 2K Ω , 1W

ID	PART #	DESCRIPTION	QTY
1	210210000	CONTACT TJE SZ 16/20	2
2	220019200	END CAP SIZE 22/20 DOUBLE SPLICE	2
3	220019400	MIDDLE HOUSING SIZE 22/20 DOUBLE SPLICE	2
4	220019410	MIDDLE HOUSING SIZE 20/22 TJSE BUSSED	1
5	270005401	GROMMET TJS SIZE 20/22 DOUBLE	2
6	310000101	CONTACT RETAINER, SIZE 20	4
7	320001520	RESISTOR, 2K OHM, 1W, G0012K000FS7080	1

DIMENSIONS	TOLERANCES	PROJECTION	TITLE		
ANSI Y14.5M UNITS: INCHES Pro/E FILE	.XX ± 0.01 .XXX ± 0.005 ANGLES $\pm 2.0^\circ$		Amphenol Pcd WIRE SPLICE, ELECTRONIC RESISTOR, 2K Ω , 1/4W SIZE 20		
ORIGINAL NOT FOR CUSTOMER DISTRIBUTION	THIS DOCUMENT CONTAINS PROPRIETARY INFORMATION WHICH IS THE CONFIDENTIAL PROPERTY OF AMPHENOL PCD INC., PEABODY, MA	ENGR D. LANG 03/21/06 CHKD APPD <i>Frank TC 3/24/06</i>	SIZE B	DWG NO. TJSE20522	REV -
		CODE: 58982	SCALE: 3:1	SHEET 1 OF 1	

TJSE20522

TJSE20522

Mouser Electronics

Authorized Distributor

Click to View Pricing, Inventory, Delivery & Lifecycle Information:

[Amphenol:](#)

[TJSE20525](#)