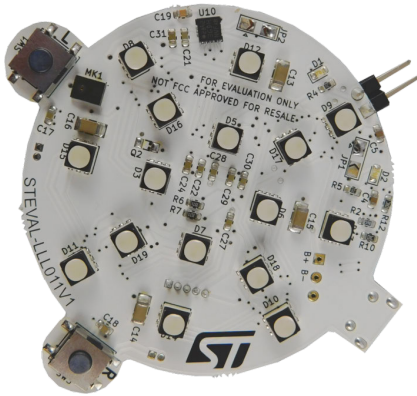


Evaluation board for the 12-Channel LED1202 low quiescent current LED driver



Features

- 4x 12-channel low quiescent current LED drivers
- STM32L073 on-board microcontroller
- L3GD20H gyroscope and MP34DT01-M digital MEMS microphone
- 16 RGB LEDs
- Battery-powered supply option
- USB connector for battery charging and communication
- Programmable with scripts
- RoHS and China RoHS compliant
- WEEE compliant (2012/19/UE RAEE II)

Description

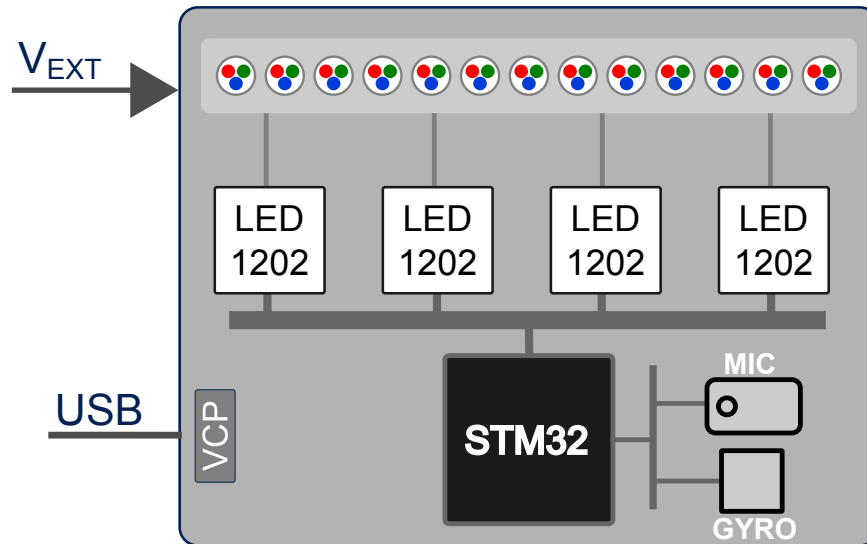
The [STEVAL-LLL011V1](#) is a compact 16 RGB LED board driven by four [LED1202](#) 12-Channel low quiescent current LED drivers and STM32L073 microcontroller to run user scripts for LED effects.

The board includes two buttons and gyroscope and microphone sensors that can be programmed via USB to trigger LED effects. It is designed for portable applications with a Li-Ion battery, which is charged via USB thanks to the embedded linear battery charger. Alternative external power supply is also supported.

Product summary	
evaluation board for the LED1202 LED driver	STEVAL-LLL011V1
12-channel low quiescent current LED driver	LED1202
ultra-low-power ARM Cortex-M0+ MCU	STM32L073
GUI for evaluation boards based on LED1202 driver	STSW-LED1202GUI
firmware for STEVAL-LLL011V1 with demonstration examples	STSW-LLL011FW
Applications	Wearable LED Small Displays

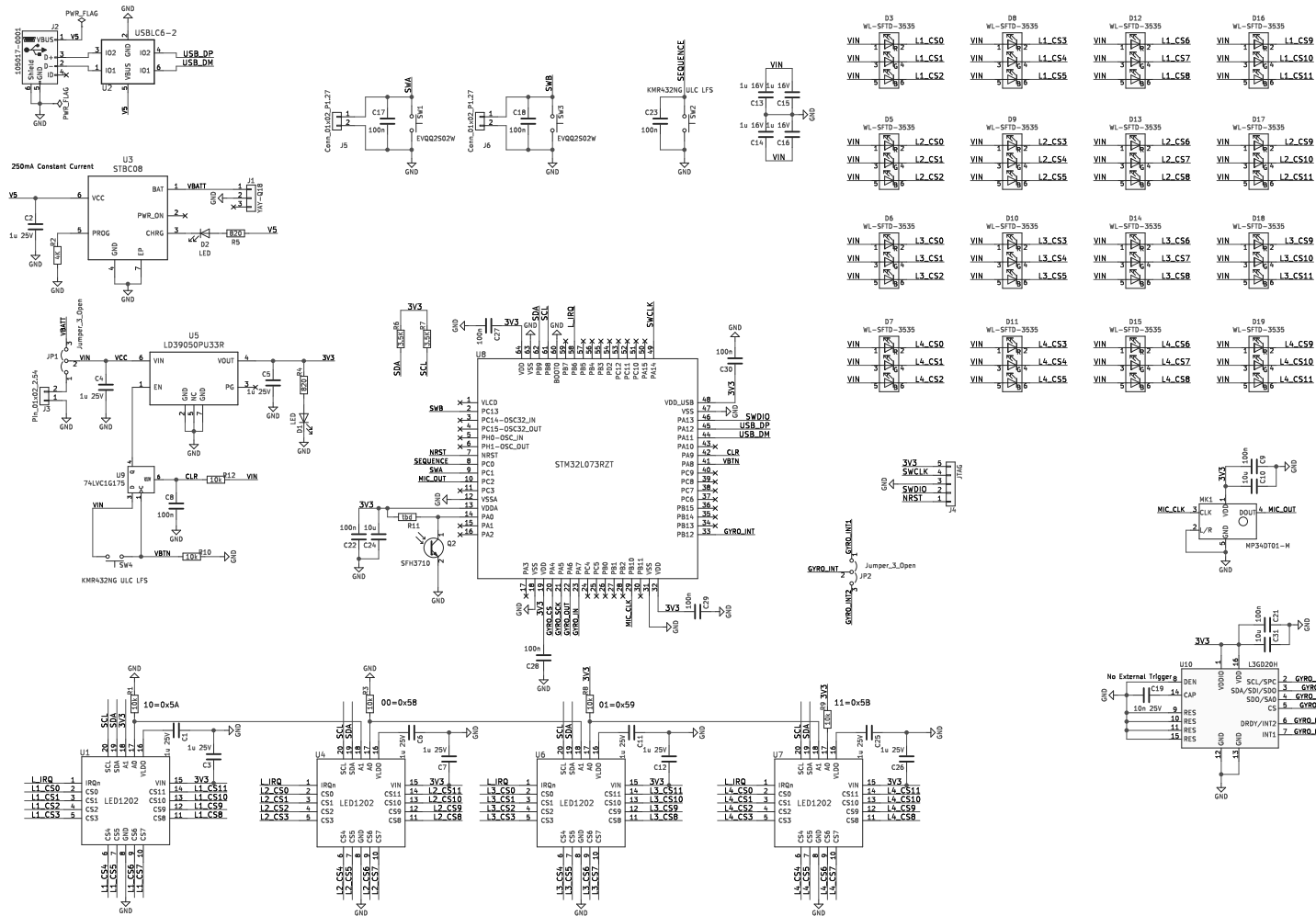
1 Block diagram and schematics

Figure 1. STEVAL-LLL011V1 block diagram



1.1 Schematic diagrams

Figure 2. STEVAL-LLL011V1 schematic



Revision history

Table 1. Document revision history

Date	Version	Changes
03-Aug-2020	1	Initial release.

IMPORTANT NOTICE – PLEASE READ CAREFULLY

STMicroelectronics NV and its subsidiaries (“ST”) reserve the right to make changes, corrections, enhancements, modifications, and improvements to ST products and/or to this document at any time without notice. Purchasers should obtain the latest relevant information on ST products before placing orders. ST products are sold pursuant to ST’s terms and conditions of sale in place at the time of order acknowledgement.

Purchasers are solely responsible for the choice, selection, and use of ST products and ST assumes no liability for application assistance or the design of Purchasers’ products.

No license, express or implied, to any intellectual property right is granted by ST herein.

Resale of ST products with provisions different from the information set forth herein shall void any warranty granted by ST for such product.

ST and the ST logo are trademarks of ST. For additional information about ST trademarks, please refer to www.st.com/trademarks. All other product or service names are the property of their respective owners.

Information in this document supersedes and replaces information previously supplied in any prior versions of this document.

© 2020 STMicroelectronics – All rights reserved

Mouser Electronics

Authorized Distributor

Click to View Pricing, Inventory, Delivery & Lifecycle Information:

[STMicroelectronics:](#)

[STEVAL-LLL011V1](#)