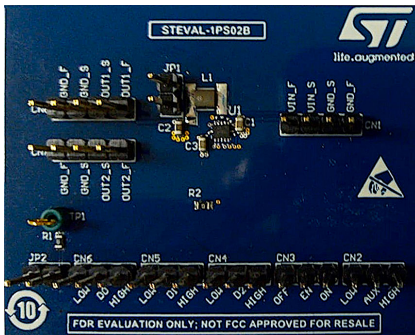


Evaluation board based on ST1PS02BQTR 400 mA nano-quiescent synchronous step-down converter with AUX switch



Features

- 1.8 V to 5.5 V input operating range
- Up to 400 mA output current capability
- Tiny external components: L=2.2 μ H typ.
- Dynamically selectable output voltages from 1.8 V to 2.5 V
- Output voltage Power Good
- Auxiliary load switch Vout2 (AUX control input)
- WEEE and RoHS compliant (hardware only)

Description

The STEVAL-1PS02B evaluation board demonstrates a smart converter design able to deliver up to 400 mA output current from a 1.8 V to 5.5 V input, with a dynamically adjustable 1.8 V to 2.5 V output voltage.

The board features the ST1PS02BQTR nano-quiescent miniaturized synchronous step-down converter which implements enhanced peak current control (PCC) and advanced design circuitry to minimize quiescent current. The device embeds a controlled load switch to supply a subsystem with same voltage rail.

The board demonstrates how highly efficient conversion can be achieved with just the ST1PS02BQTR, a 2.2 μ H inductor and two small capacitors.

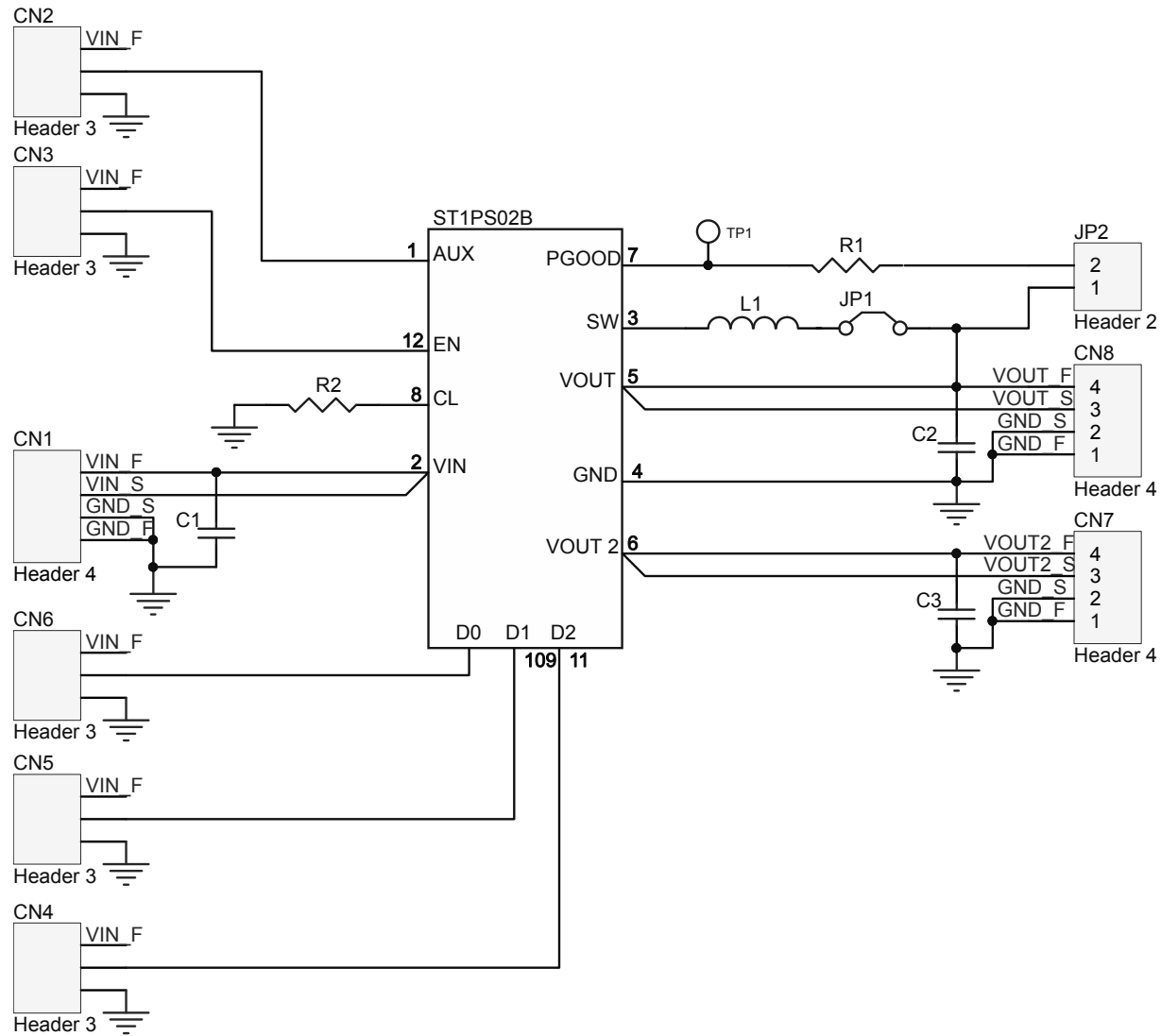
The board highlights key application benefits made possible by the ST1PS02BQTR, including high efficiency and small PCB size and thickness, and is ideal for power management solutions in wearable applications and fitness accessories, personal tracking monitors, smart watches, sports bands, energy harvesting, wireless sensors, industrial sensors, portable low power devices, single cell Li-Ion battery applications, and Bluetooth® low energy and Zigbee applications.

The device used on this board is supplied in the thin TQFN12 (2.0x1.7 mm) package, but other packages are also available.

Product summary	
evaluation board for ST1PS02 step-down converter	STEVAL-1PS02B
400mA nano-quiescent synchronous step-down converter with digital voltage selection, Power Good and AUX switch	ST1PS02BQTR
Applications	Buck Converter

1 Schematic diagrams

Figure 1. STEVAL-1PS02B schematic diagram



Revision history

Table 1. Document revision history

Date	Version	Changes
15-Apr-2020	1	Initial release.

IMPORTANT NOTICE – PLEASE READ CAREFULLY

STMicroelectronics NV and its subsidiaries (“ST”) reserve the right to make changes, corrections, enhancements, modifications, and improvements to ST products and/or to this document at any time without notice. Purchasers should obtain the latest relevant information on ST products before placing orders. ST products are sold pursuant to ST’s terms and conditions of sale in place at the time of order acknowledgement.

Purchasers are solely responsible for the choice, selection, and use of ST products and ST assumes no liability for application assistance or the design of Purchasers’ products.

No license, express or implied, to any intellectual property right is granted by ST herein.

Resale of ST products with provisions different from the information set forth herein shall void any warranty granted by ST for such product.

ST and the ST logo are trademarks of ST. For additional information about ST trademarks, please refer to www.st.com/trademarks. All other product or service names are the property of their respective owners.

Information in this document supersedes and replaces information previously supplied in any prior versions of this document.

© 2020 STMicroelectronics – All rights reserved

Mouser Electronics

Authorized Distributor

Click to View Pricing, Inventory, Delivery & Lifecycle Information:

[STMicroelectronics:](#)

[STEVAL-1PS02B](#)