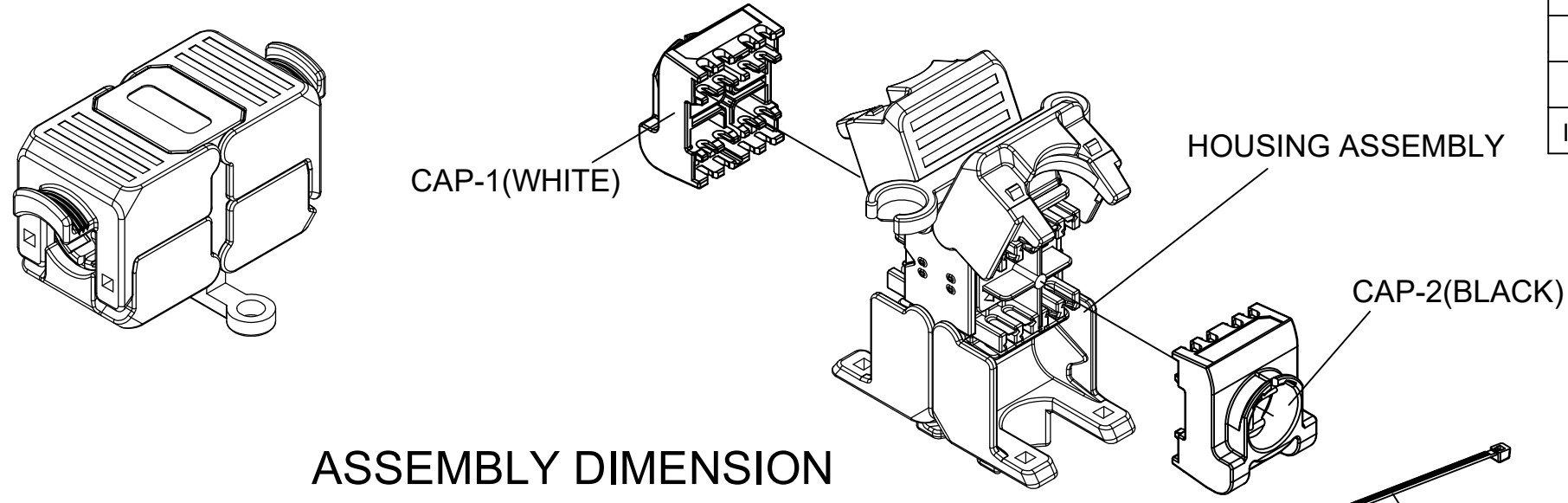
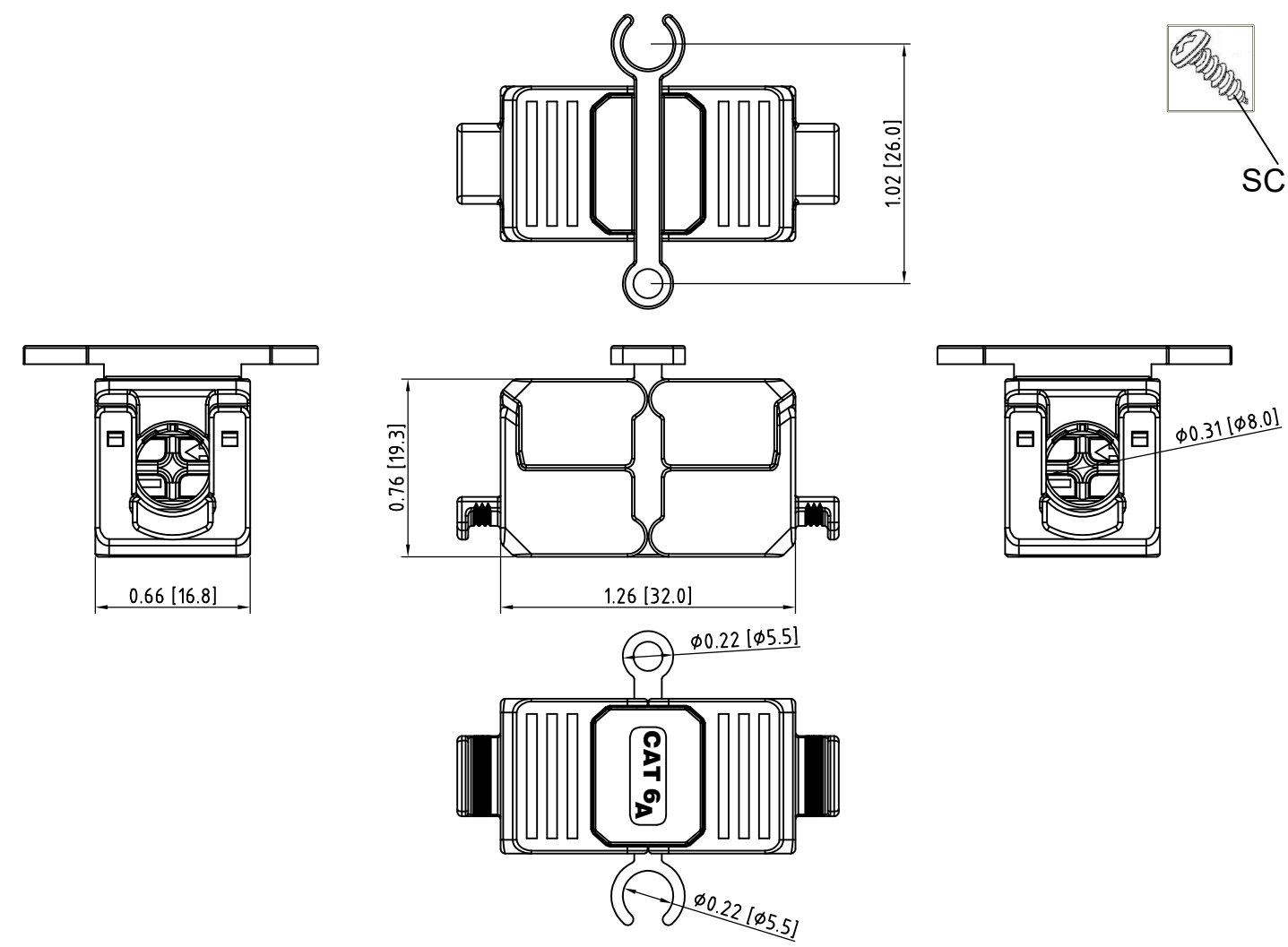


COMPONENTS		
ITEM	PART NAME	Q'TY
5	SCREW, M3 x 10, SELF-TAP	2
4	CABLE TIE	2
3	CAP-2(BLACK)	1
2	CAP-1(WHITE)	1
1	HOUSING ASSEMBLY	1

DATE	REV	ECN	APP'D. BY
10/15/20	A0	-	ADB
11/04/20	A1	11655	JE



### ASSEMBLY DIMENSION



- NOTES:
- SUITABLE FOR USE IN EXISTING CABLE SYSTEMS UP TO CATEGORY 6A PERFORMANCE.
  - PHYSICAL  
HOUSING: ZINC ALLOY, FULLY SHIELDED  
IDC: PHOSPHOR BRONZE ALLOY WITH 100μIN TIN PLATING
  - ELECTRICAL  
INSULATION RESISTANCE: 500MOHM MIN. @ 100VDC  
DIELECTRIC WITHSTANDING VOLTAGE: IEC 60603-7  
CONTACT TO CONTACT: 1000 VDC OR AC PEAK  
CONTACT TO SHIELD: 1500 VDC OR AC PEAK
  - MECHANICAL  
IDC WIRE GAUGE: 22 - 26 AWG, SOLID OR STRANDED  
A SMALLER AWG CANNOT BE USED IN A PREVIOUSLY USED IDC.

SS-82120-002  
PART NUMBER



THIRD ANGLE PROJECTION  
DO NOT SCALE DRAWING  
DRAWING IS SUBJECT TO CHANGE WITHOUT NOTICE  
DIMENSIONS: INCHES [METRIC]  
UNLESS OTHERWISE SPECIFIED TOLERANCES ARE ±.005 [0.13] ANGLES ARE ± 1°  
SHEET NO. 1 OF 1

**stewart**  
CONNECTOR  
a bel group

11118 Susquehanna Trail South  
Glen Rock, PA 17327-9199  
(717) 235-7512  
<http://www.stewartconnector.com>

TITLE: CAT 6A TOOL-LESS CABLE SPLICER		DRN BY: JE	DATE: 09/28/20
THIS DRAWING AND THE SUBJECT MATTER SHOWN THEREON ARE CONFIDENTIAL AND THE PROPRIETARY PROPERTY OF STEWART CONNECTOR AND SHALL NOT BE REPRODUCED, COPIED, OR USED IN ANY MANNER WITHOUT PRIOR WRITTEN CONSENT OF STEWART CONNECTOR. ONE OR MORE U.S. PATENTS MAY APPLY TO THIS PRODUCT. FOR DETAILS, PLEASE VISIT: <a href="http://BELFUSE.COM/STEWART/STEWART_PATENTS/">HTTP://BELFUSE.COM/STEWART/STEWART_PATENTS/</a>		APPD BY: ADB	DATE: 10/15/20
		DWG NO. CT820036	REV. A1

# Mouser Electronics

Authorized Distributor

Click to View Pricing, Inventory, Delivery & Lifecycle Information:

Bel:

[SS-82120-002](#)