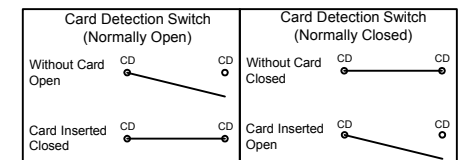
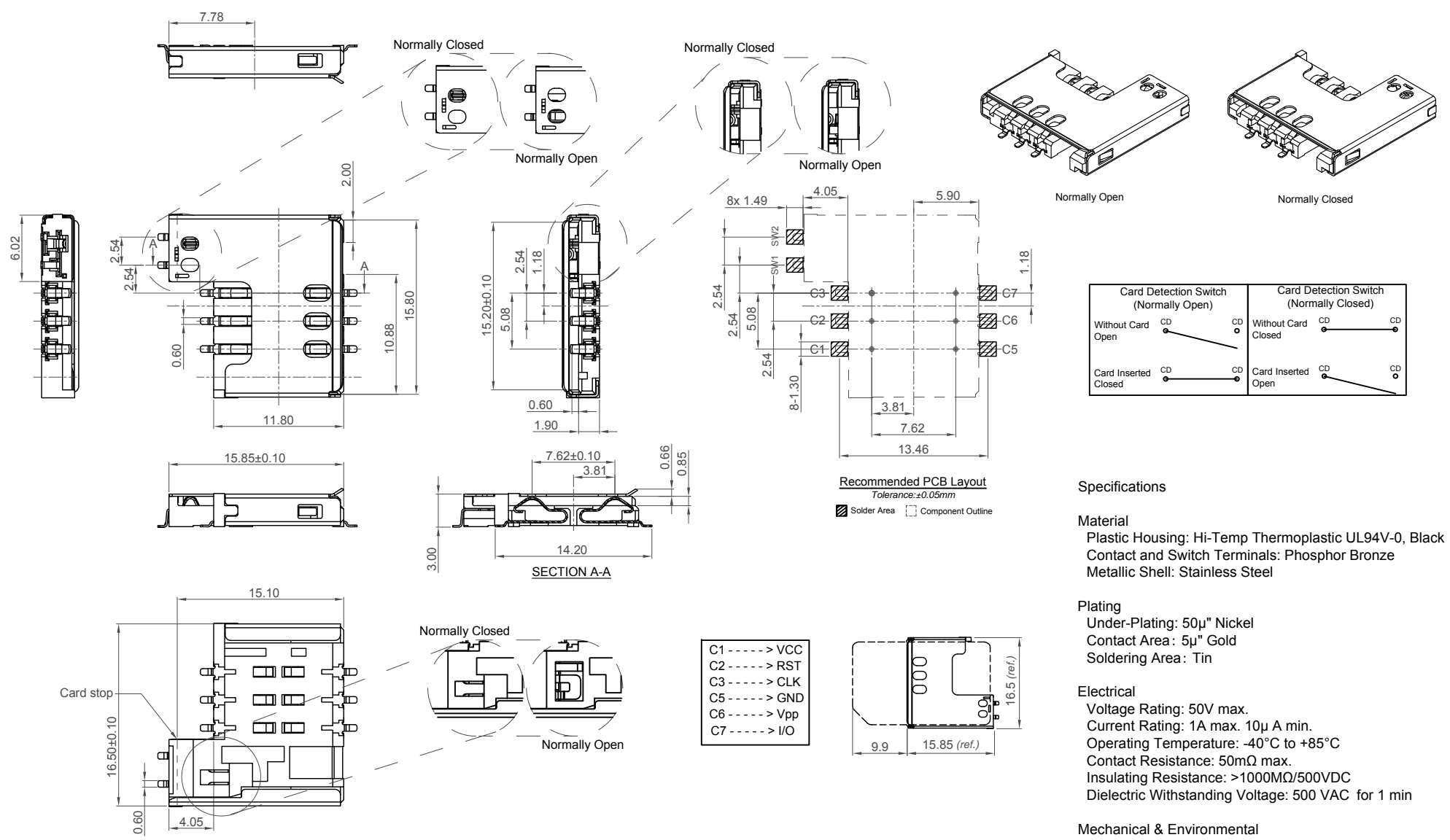


H
G
F
E
D
C
B
A



Specifications

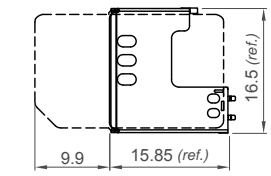
Material
 Plastic Housing: Hi-Temp Thermoplastic UL94V-0, Black
 Contact and Switch Terminals: Phosphor Bronze
 Metallic Shell: Stainless Steel

Plating
 Under-Plating: 50µ" Nickel
 Contact Area: 5µ" Gold
 Soldering Area: Tin

Electrical
 Voltage Rating: 50V max.
 Current Rating: 1A max. 10µ A min.
 Operating Temperature: -40°C to +85°C
 Contact Resistance: 50mΩ max.
 Insulating Resistance: >100MΩ/500VDC
 Dielectric Withstanding Voltage: 500 VAC for 1 min

Mechanical & Environmental
 Durability: 5,000 cycles

- C1 -----> VCC
- C2 -----> RST
- C3 -----> CLK
- C5 -----> GND
- C6 -----> Vpp
- C7 -----> I/O



Ordering Grid

SIM2070 - **6** - **X** - **30** - **00** - **A**

Request Samples and Quotation

No. of Contacts: 6

Packing Options: A = Tape & Reel (700 Pcs per Reel)

Switch: 1 = With - Normally Open (Standard), 0 = With - Normally Closed

Locating Post: 00 = Without

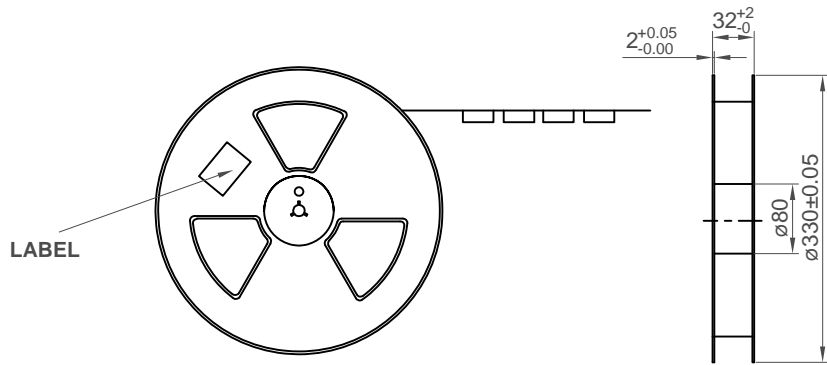
Part Number		Product Description	
SIM2070		SIM Card Connector - 3.44mm Profile	
Drawing Date		Receiver type 6 Pin, SMT, with Card Detect	
5th Dec 2011			
By	CC	Tolerances (Except as Noted)	Units:
Detail	SIM2070	Length	Metric (mm)
	D PCN	X.X ± 0.25	Angle
Revision	D2	X.XX ± 0.15	X.° ± 1°
Date	13/11/18	X.XXX ± 0.050	X.XX° ± 0.25°



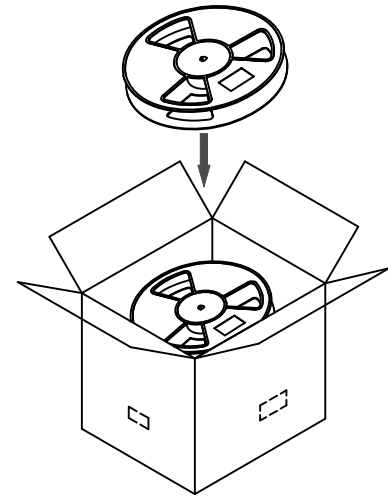
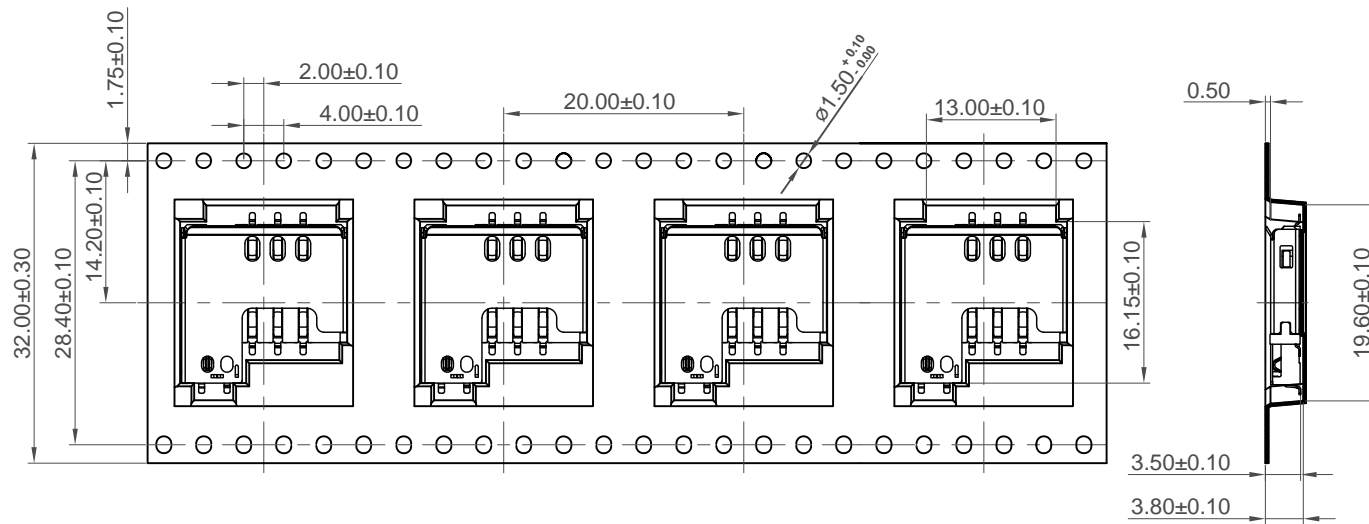
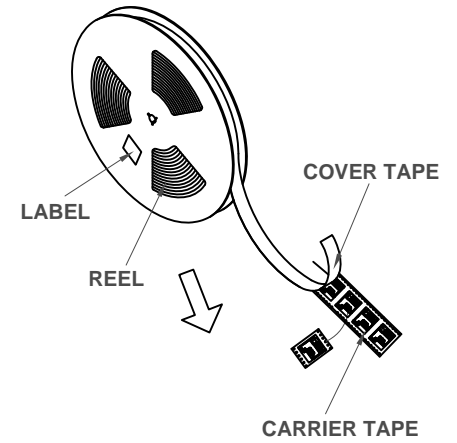
This drawing is confidential and copyright of Global Connector Technology, Ltd (GCT). This drawing must not be copied or disclosed without written consent. E & OE



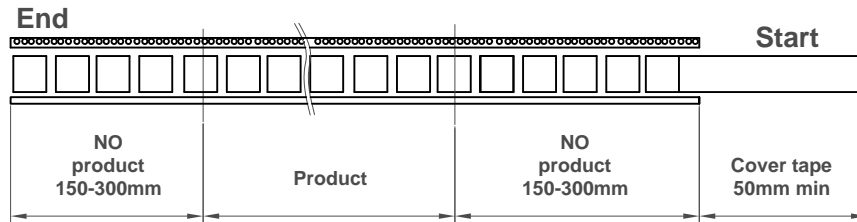
Not to Scale	Drawn By CM	Sheet No. 1/2
--------------	-------------	---------------



Gross Weight: 1.00KGS
Q'ty: 700 Pcs per Reel



Gross Weight: 8.00KGS
Quantity: 5600 Pcs per carton (8 Reels set in order)
Measure: 35.00Lx35.00Wx31.50H cm



Part Number		Product Description	
SIM2070		SIM Card Connector - 3.44mm Profile	
Drawing Date		Receiver type 6 Pin, SMT, with Card Detect	
5th Dec 2011			
By	CC	Tolerances (Except as Noted)	Units:
Detail	SIM2070	Length	Metric (mm)
	D PCN	Angle	
Revision	D2		
Date	13/11/18		



This drawing is confidential and copyright of Global Connector Technology, Ltd (GCT). This drawing must not be copied or disclosed without written consent. E & OE



Not to Scale	Drawn By CM	Sheet No. 2/2
--------------	-------------	---------------

H
G
F
E
D
C
B
A

1 2 3 4 5 6 7 8

Mouser Electronics

Authorized Distributor

Click to View Pricing, Inventory, Delivery & Lifecycle Information:

[Global Connector Technology \(GCT\):](#)

[SIM2070-6-0-30-00-A](#)