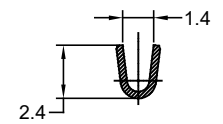
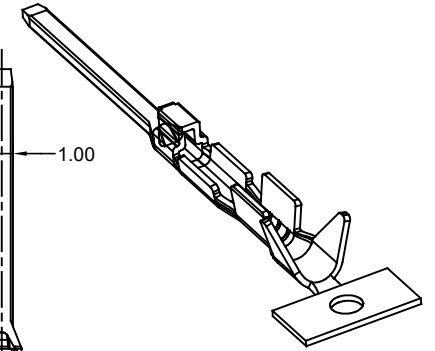
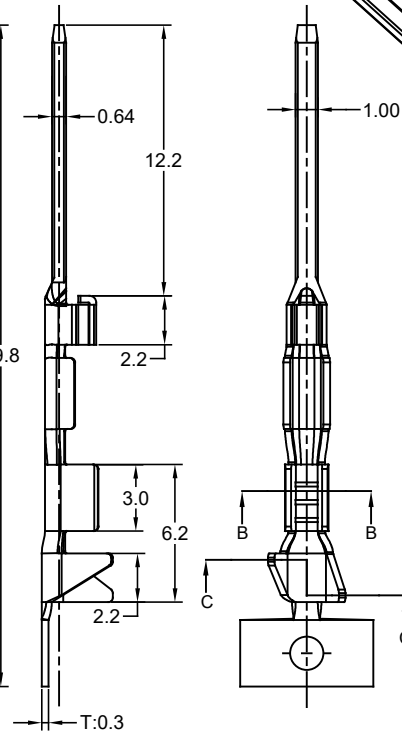
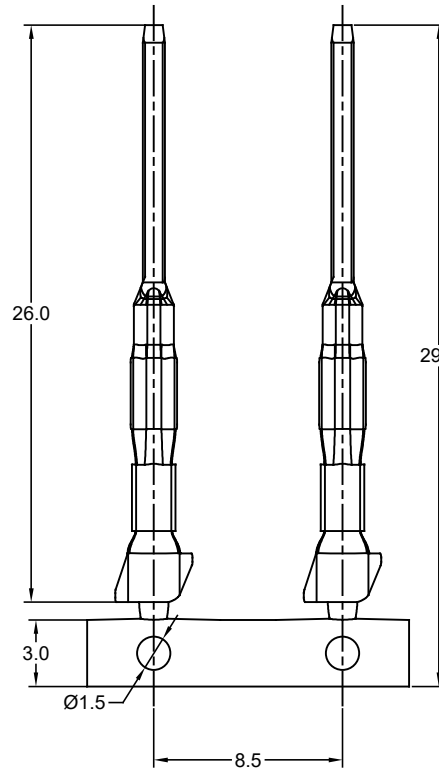
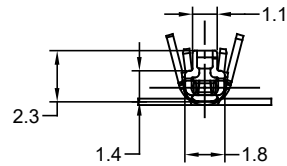
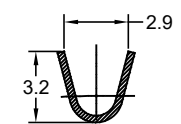


CONTACT ORIENTATION ON ROLL
(4000PCS/COIL)



SECTION B-B



SECTION C-C

NOTES: (UNLESS OTHERWISE SPECIFIED)

1. MATERIAL:
 - 1.1. CONTACT: COPPER ALLOY.
2. SPECIFICATIONS:
 - 2.1 CURRENT RATING: 5A MAX.
 - 2.2 TERMINATION TYPE: CRIMPING.
 - 2.3 WIRE RANGE: 20~22AWG.
 - 2.4 WIRE INSULATION DIA(MAX): Ø1.8mm.
3. RoHS COMPLIANT.
4. ALL DIMENSIONS ARE FOR REFERENCE USE ONLY.

P/N	CONTACT PLATING (* MATING AREA ONLY)
SC000571T	TIN PLATING OVER NICKEL.
SC000571N	NICKEL PLATING OVER COPPER.
SC000571F	GOLD FLASH PLATING OVER NICKEL.
SC000571G5	* 5µ"GOLD PLATING OVER NICKEL.
SC000571G10	* 10µ"GOLD PLATING OVER NICKEL.
SC000571G15	* 15µ"GOLD PLATING OVER NICKEL.
SC000571G30	* 30µ"GOLD PLATING OVER NICKEL.

REVISIONS					
REV	ECO	DESCRIPTION	DATE	BY	APPR
A1	-	RELEASED DRAWING	May-15-2019	Flan	Tommy
A2	-	UPDATE DRAWING	Aug-9-2019	Flan	Tommy
A3	-	UPDATE DRAWING	Jun-29-2020	Ronald	Tommy

QUANTITY	PART NUMBER	DESCRIPTION	ITEM
MATERIALS LIST			
<small>UNLESS OTHERWISE SPECIFIED</small> 1) All dimensions are in metric(mm). 2) Tolerances are as follows: 1 PL DEC ±0.30 1 Fractions ±1/64 2 PL DEC ±0.15 Angles ±1° 3 PL DEC ±0.08			
SIGNATURES		DATE	
DRAWN: Ronald		Jun-29-2020	
CHECKED: Flan		Jun-30-2020	
ENGINEER:			
APPROVAL: Tommy		Jun-30-2020	
MATERIAL SPECIFICATIONS:		CUSTOMER:	
PROCESS SPECIFICATIONS:		THIS DRAWING IS SUPPLIED FOR INFORMATION ONLY. DESIGN FEATURES, SPECIFICATIONS AND PERFORMANCE DATA SHOWN HEREON ARE THE PROPERTY OF THE AMPHENOL CORPORATION. NO RIGHTS OF REPRODUCTION ARE IMPLIED. ALL DIMENSIONS ARE SUBJECT TO NORMAL MANUFACTURING VARIATIONS.	
NEXT ASSY:		SCALE: NONE	
		SIZE: B C-	DWG NO: SC000571x
		REVISION: A3	
		SHEET 1 OF 1	

TITLE: DURALOK ATV, PIN CONTACT, STAMPED, 20-22AWG
DWG NO: SC000571x
REV: A3
SHEET 1 OF 1

Mouser Electronics

Authorized Distributor

Click to View Pricing, Inventory, Delivery & Lifecycle Information:

[Amphenol:](#)

[SC000571T](#)