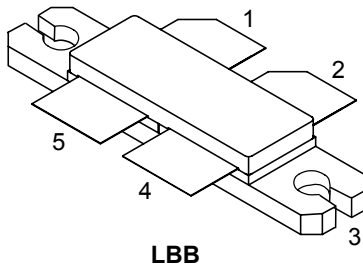


400 W, 28/32 V, HF to 1 GHz RF power LDMOS transistor



Pin connection	
Pin	Connection
1	Drain A
2	Drain B
3	Source (bottom side)
4	Gate B
5	Gate A



Product status link
RF3L05400CB4

Product summary	
Order code	RF3L05400CB4
Marking	3L05400
Package	LBB
Packing	Tape and reel 13"
Base/bulk quantity	100/100

Features

Order code	Frequency	V _{DD}	P _{OUT}	Gain	Efficiency
RF3L05400CB4	108 MHz	28 V	400 W	15 dB	75%

- High efficiency and linear gain operations
- Integrated ESD protection
- Large positive and negative gate-source voltage range for improved class C operation
- In compliance with the European directive 2002/95/EC

Applications

- 2-30 MHz HF or short wave communication
- 30-88 MHz ground communication
- 118-140 MHz avionics
- 136-174 MHz commercial ground communication
- 30-512 MHz jammer, ground/air communication
- HF to 1 GHz ISM - instrumentation

Description

The **RF3L05400CB4** is a 400 W, 28/32 V, LDMOS FET designed for wideband communication and ISM applications in the frequency range from HF to 1 GHz. It can be used in class AB, B or C for all typical modulation formats.

1 Electrical ratings

Table 1. Absolute maximum ratings ($T_C = 25\text{ °C}$)

Symbol	Parameter	Value	Unit
V_{DS}	Drain-source voltage	90	V
V_{GS}	Gate-source voltage	-8 to 10	V
V_{DD}	Maximum operating voltage	36	V
T_{STG}	Storage temperature range	-65 to 150	°C
T_J	Maximum junction temperature	200	°C

Table 2. Thermal data

Symbol	Parameter	Value	Unit
$R_{thJC}^{(1)}$	Thermal resistance, junction-to-case	0.3	°C/W

1. $T_C = 85\text{ °C}$, $T_J = 200\text{ °C}$, DC test.

Table 3. ESD protection

Symbol	Test methodology	Class
HBM	Human body model (according to ANSI/ESDA/JEDEC JS001-2017)	2
CDM	Charge device model (according to ANSI/ESDA/JEDEC JS002-2014)	C3

2 Electrical characteristics

$T_C = 25\text{ }^\circ\text{C}$ unless otherwise specified.

Table 4. Static (per side)

Symbol	Parameter	Test conditions	Min.	Typ.	Max.	Unit
$V_{(BR)DSS}$	Drain-source breakdown voltage	$V_{GS} = 0\text{ V}, I_D = 100\text{ }\mu\text{A}$	90			V
I_{DSS}	Zero gate voltage drain leakage current	$V_{GS} = 0\text{ V}, V_{DS} = 28\text{ V}$			1	μA
		$V_{GS} = 0\text{ V}, V_{DS} = 75\text{ V}$			1	
I_{GSS}	Gate-source leakage current	$V_{GS} = -8/10\text{ V}, V_{DS} = 0\text{ V}$			± 100	nA
$V_{GS(th)}$	Gate threshold voltage	$V_{DS} = 28\text{ V}, I_D = 600\text{ }\mu\text{A}$	1.75		2.50	V
$V_{GS(Q)}$	Gate quiescent voltage	$V_{DS} = 1\text{ V}, I_D = 1\text{ A}$	2		4	V
$V_{DS(on)}$	Static drain-source on-voltage	$V_{GS} = 10\text{ V}, I_{DS} = 5\text{ A}$			800	mV
$I_{DS(on)}$	Static drain-source on-current	$V_{GS} = 10\text{ V}, V_{DS} = 100\text{ mV}$			2.5	A
$R_{DS(on)}$	Drain-source on-state resistance	$V_{GS} = 10\text{ V}, V_{DS} = 100\text{ mV}$			1	Ω
C_{ISS}	Common source input capacitance	$V_{GS} = 0\text{ V}, V_{DD} = 28\text{ V}, f = 1\text{ MHz}$		187		pF
C_{RSS}	Common source feedback capacitance			4.6		pF
C_{OSS}	Common source output capacitance			79		pF

Table 5. Dynamic

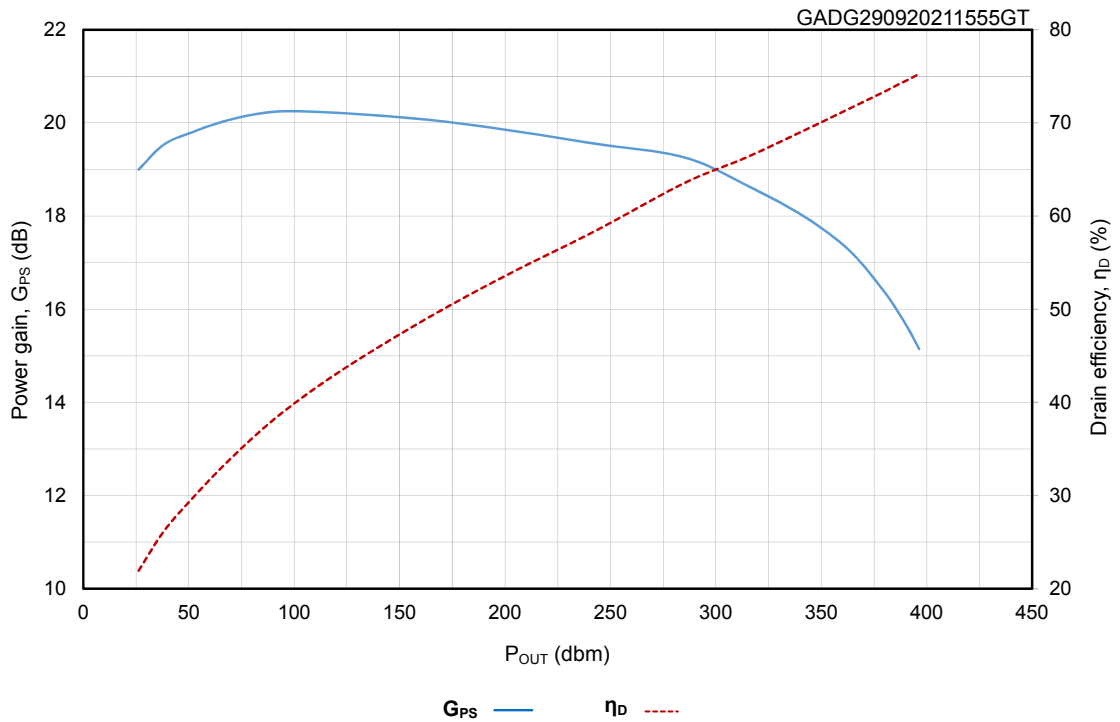
Symbol	Parameter	Test conditions	Min.	Typ.	Max.	Unit
f	Frequency				1000	MHz
P_{OUT}	Output power	f = 108 MHz, 5 dB compression		400		W
G_{PS}	Power gain			15		dB
η_D	Drain efficiency			75		%
VSWR	Load mismatch	$P_{OUT} = 400\text{ W}$, pulsed CW, all phases			10:1	

Note: $V_{DD} = 28\text{ V}, I_{DQ} = 200\text{ mA}$, pulsed CW, pulse width = 100 μs , duty cycle = 10%.

3 Typical performances

Table 6. Output power, power gain and drain efficiency versus input power (f = 108 MHz)

P_{IN} (dBm)	P_{OUT} (dBm)	P_{OUT} (W)	I_{DS} (A)	G_{PS} (dB)	η_D (%)
29.3	49.5	90	8.4	20.2	38
30.3	50.5	113	9.6	20.2	42
31.3	51.45	139.5	10.9	20.15	45.8
32.3	52.35	170.7	12.2	20.03	50
33.3	53.1	205	13.5	19.8	54.15
34.3	53.8	243	14.8	19.5	58.4
35.3	54.6	284.7	16	19.3	63.5
36.3	54.6	314.5	17	18.7	66.3
37.3	55.3	342	17.6	18	69.2
38.3	55.55	363.4	18.1	17.25	71.5
39.3	55.7	379.1	18.5	16.4	73.25
39.9	55.85	385.9	18.6	15.95	74
40.3	55.92	391.3	18.7	15.62	74.65
40.8	55.98	396.4	18.8	15.18	75.2

Figure 1. Power gain and efficiency versus output power (108 MHz)


Note: $V_{DD} = 28\text{ V}$, $I_{DQ} = 200\text{ mA}$, pulsed CW, pulse width = 100 μs , duty cycle = 10%

4 Test circuits

Figure 2. Test circuit layout (f = 108 MHz)

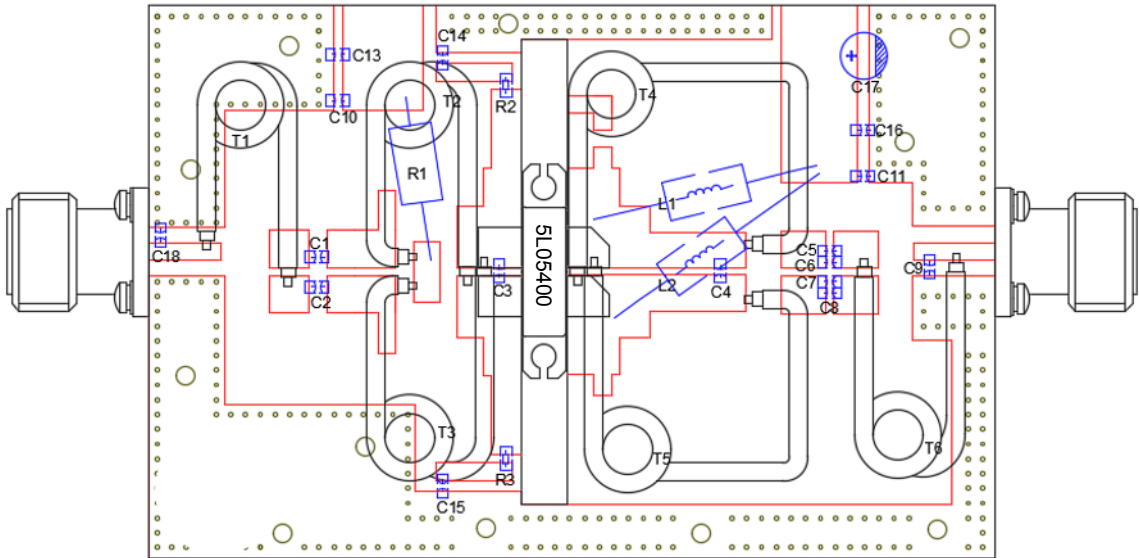


Figure 3. Test circuit photo

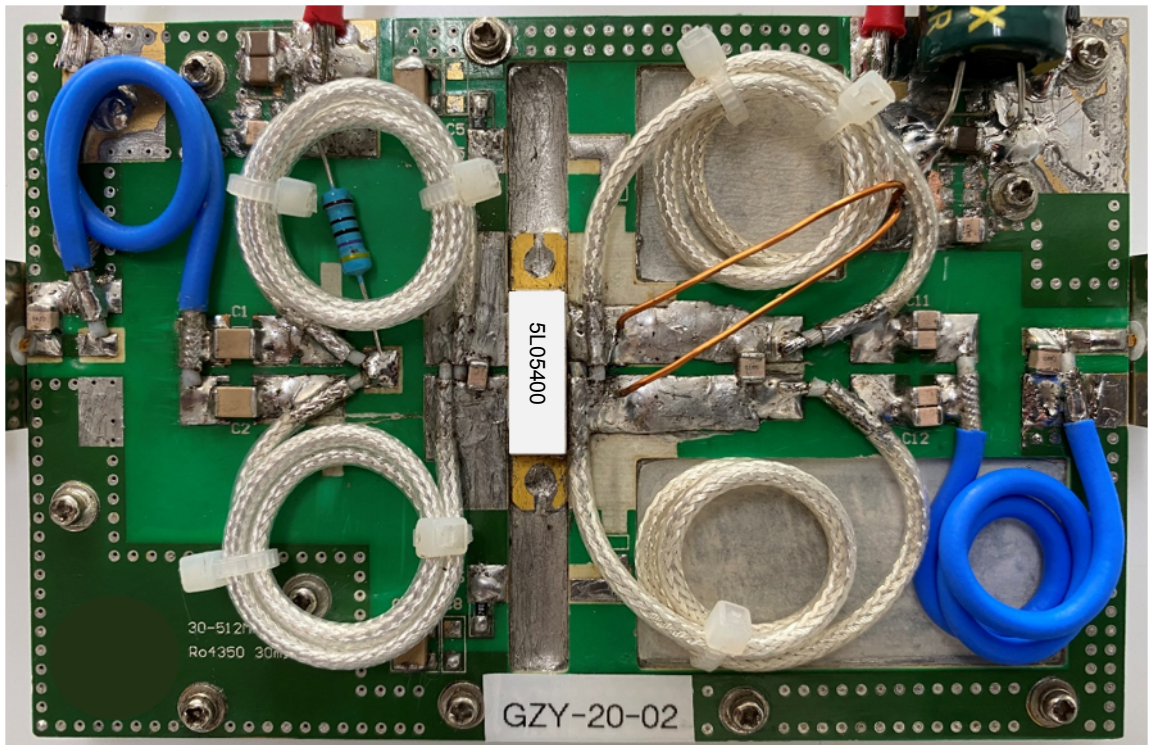


Table 7. Components list

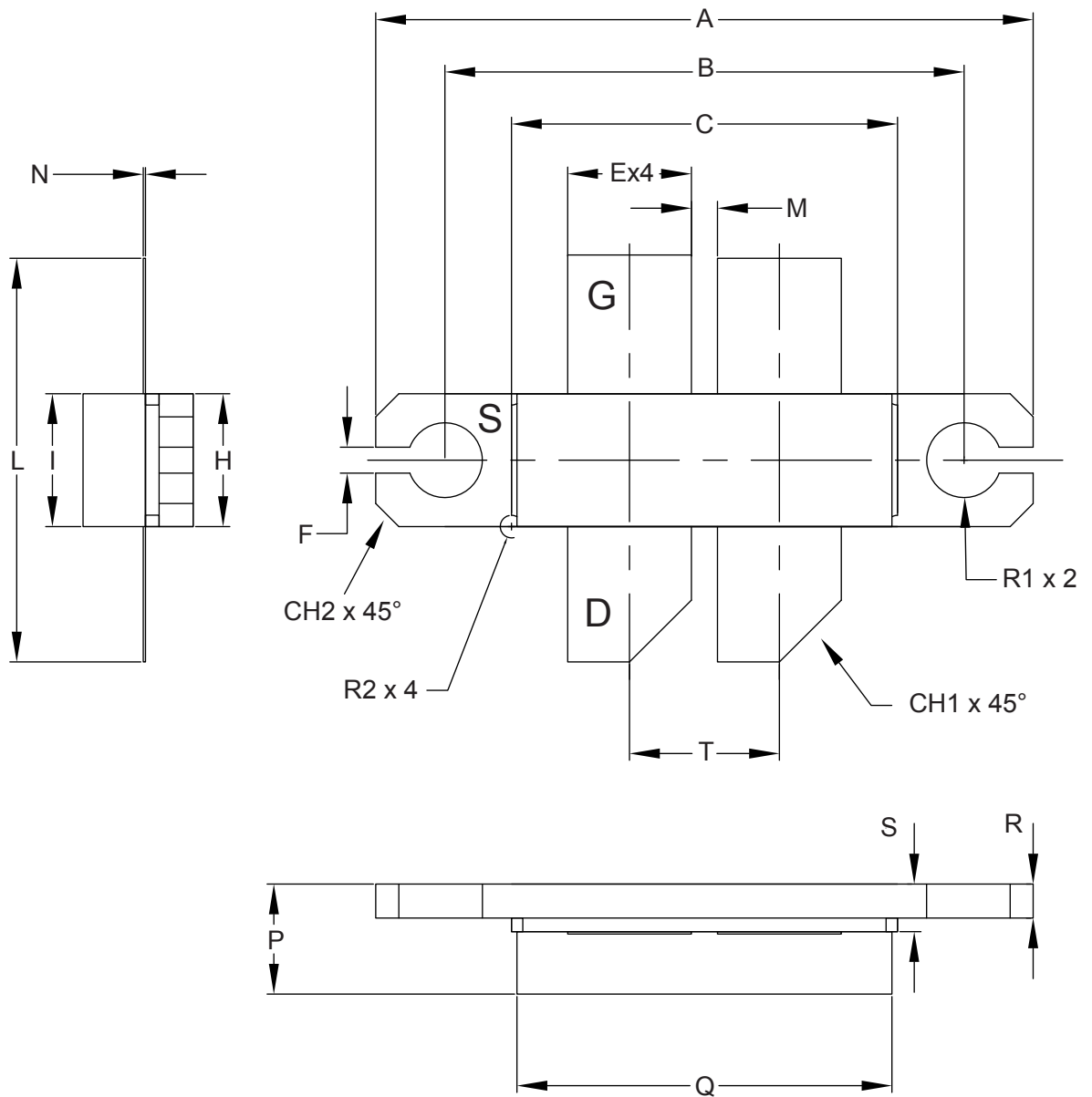
Component	Value	Reference
C5, C6, C7, C8, C10, C11	470 pF	ATC800B
C3, C18	24 pF	ATC800B
C4	18 pF	ATC800B
C9	8.2 pF	ATC800B
C1, C2, C14, C15	10 nF	100 V ceramic multilayer capacitor,
C13, C16	10 μ F	100 V ceramic multilayer capacitor
T1	50 Ω , ϕ 2.0, line length = 15 cm	Coaxial cable
T2, T3	25 Ω , ϕ 2.0, line length = 15 cm	Coaxial cable
T3, T4	12.5 Ω , ϕ 2.0, line length = 20 cm	Coaxial cable
T6	50 Ω , ϕ 2.0, line length = 18 cm	Coaxial cable
R1	470 Ω	Metal film resistor
R3, R4	24 Ω	0805 chip resistor
L1, L2	Φ 0.8 mm	Copper wire
C17	470 μ F, 63 V	63 V electrolytic capacitor
PCB	0.762 mm [0.030"] thick, $\epsilon_r = 3.48$, Rogers RO4350B, 1 oz. copper	

5 Package information

In order to meet environmental requirements, ST offers these devices in different grades of **ECOPACK** packages, depending on their level of environmental compliance. ECOPACK specifications, grade definitions and product status are available at: www.st.com. ECOPACK is an ST trademark.

5.1 LBB package information

Figure 4. LBB package outline



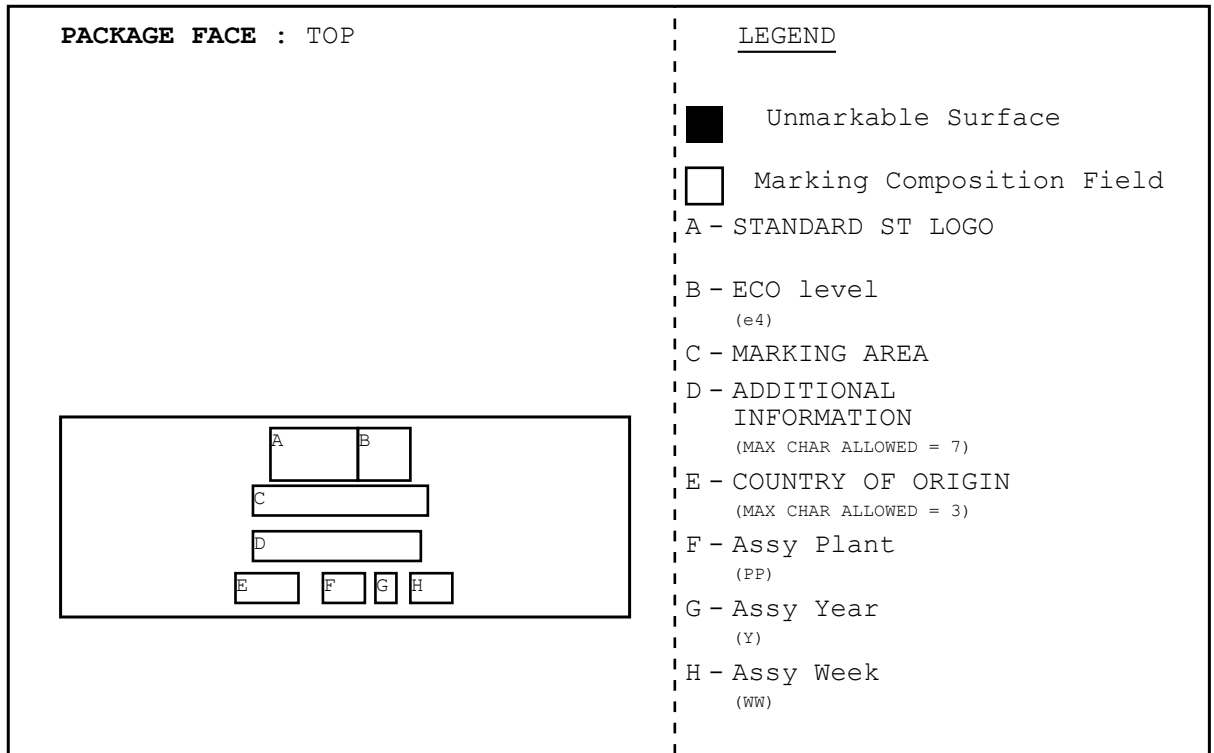
DM00666717_2

Table 8. LBB mechanical data

Symbol	Millimeters		
	Min.	Typ.	Max.
A	28.82	28.95	29.08
B	22.73	22.86	22.99
C	16.87	17.00	17.13
E	5.32	5.45	5.58
F	1.01	1.14	1.27
H	5.72	5.85	5.98
I	5.72	5.85	5.98
L	17.65	17.78	17.91
M	1.02	1.15	1.28
N		0.10	
P	4.72	4.85	4.98
Q	16.38	16.51	16.64
R	1.37	1.50	1.63
S	1.97	2.10	2.23
T		6.60	
CH1		2.72	
CH2		1.02	
R1		1.65	
R2		0.50	

5.2 Marking information

Figure 5. Marking composition



GADG040220211644GT

Revision history

Table 9. Document revision history

Date	Version	Changes
08-Jun-2020	1	First release
01-Oct-2021	2	Updated title and Device summary on cover page. Updated Section 1 Electrical ratings. Updated Table 4. Static (per side). Updated Figure 1. Power gain and efficiency versus output power (108 MHz). Updated Section 4 Test circuits. Added Section 5.2 Marking information. Minor text changes.

Contents

1	Electrical ratings	2
2	Electrical characteristics	3
3	Typical performances	4
4	Test circuits	5
5	Package information	7
5.1	LBB package information	7
5.2	Marking information	9
	Revision history	10

IMPORTANT NOTICE – PLEASE READ CAREFULLY

STMicroelectronics NV and its subsidiaries (“ST”) reserve the right to make changes, corrections, enhancements, modifications, and improvements to ST products and/or to this document at any time without notice. Purchasers should obtain the latest relevant information on ST products before placing orders. ST products are sold pursuant to ST’s terms and conditions of sale in place at the time of order acknowledgement.

Purchasers are solely responsible for the choice, selection, and use of ST products and ST assumes no liability for application assistance or the design of Purchasers’ products.

No license, express or implied, to any intellectual property right is granted by ST herein.

Resale of ST products with provisions different from the information set forth herein shall void any warranty granted by ST for such product.

ST and the ST logo are trademarks of ST. For additional information about ST trademarks, please refer to www.st.com/trademarks. All other product or service names are the property of their respective owners.

Information in this document supersedes and replaces information previously supplied in any prior versions of this document.

© 2021 STMicroelectronics – All rights reserved

Mouser Electronics

Authorized Distributor

Click to View Pricing, Inventory, Delivery & Lifecycle Information:

[STMicroelectronics:](#)

[RF3L05400CB4](#)