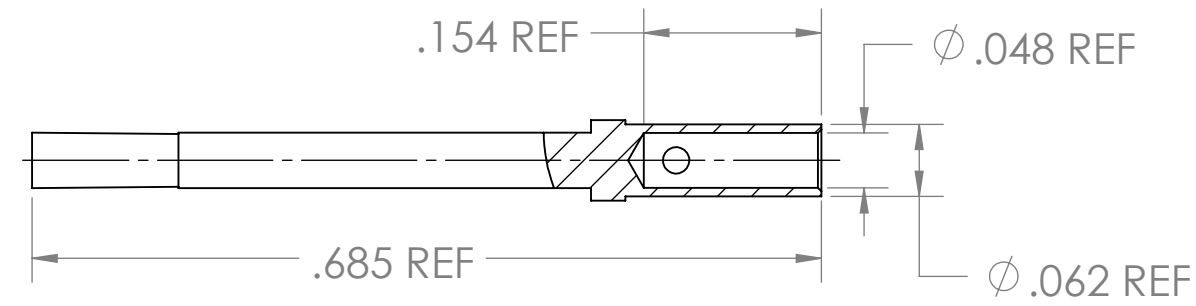
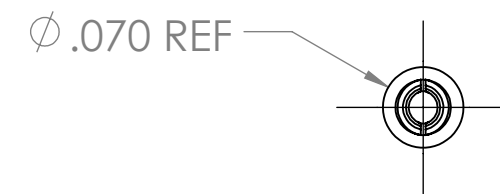
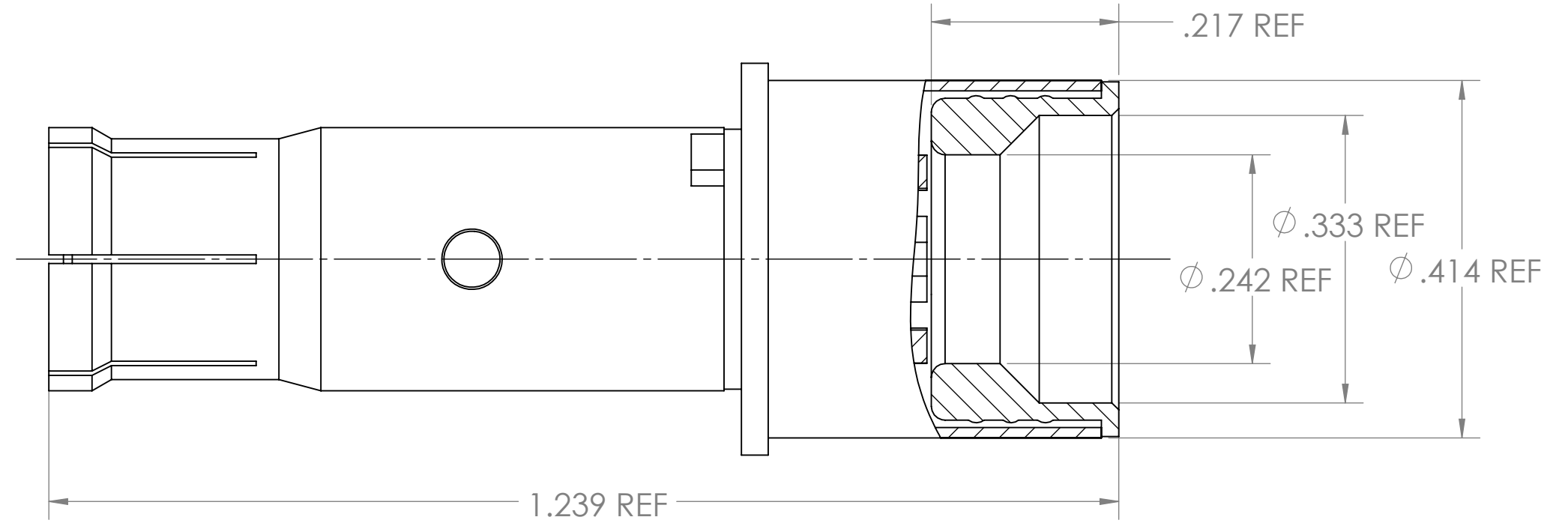
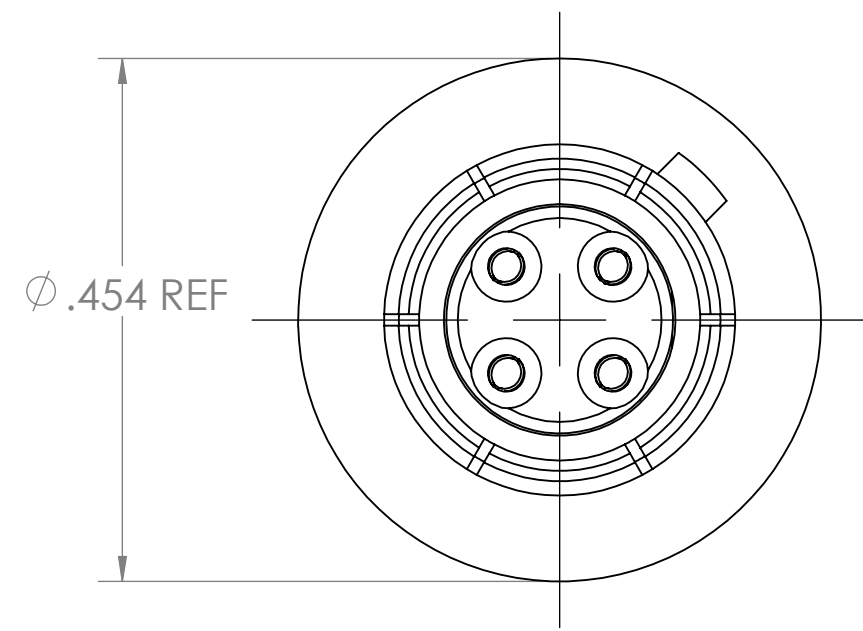
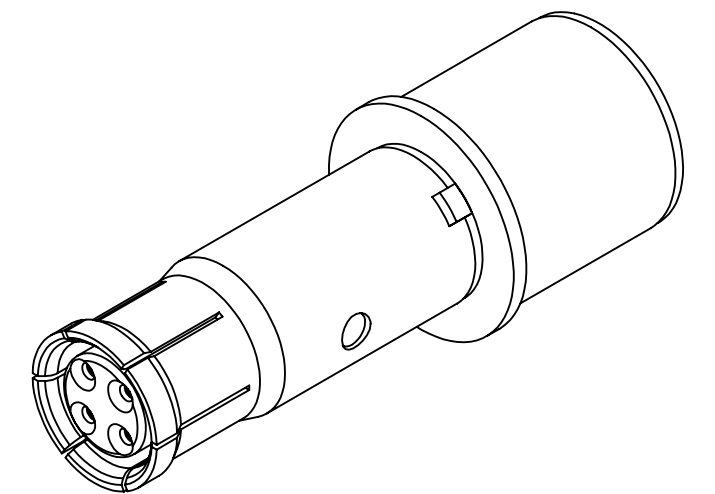


# CUSTOMER DRAWING

REVISIONS			
ZONE	REV.	DESCRIPTION	DATE
	PA1	INITIAL RELEASE	2021/3/25



INNER CONTACT  
QTY: 4  
GOLD PLATED  
SCALE 6.000



- NOTES**
1. THE REFERENCED PRODUCT SHALL BE COMPLIANT TO RoHS DIRECTIVE.
  2. THE CONTACT IMPEDANCE RESISTANCE 120OHM.
  3. THE RECOMMEND WIRE SIZE : AWG 18~20.
  4. THE RATED VOLTAGE: 50V  
THE RATED CURRENT: 5A

THIS DOCUMENT CONTAINS PROPRIETARY INFORMATION AND SUCH INFORMATION MAY NOT BE DISCLOSED TO OTHERS FOR ANY PURPOSE OR USED FOR MANUFACTURING PURPOSES WITHOUT WRITTEN PERMISSION FROM THE AMPHENOL CORP.

Next Assembly

UNLESS OTHERWISE SPECIFIED		APPROVALS		DATE
LINEAR DIMENSIONS ARE IN INCHES TOLERANCES: .XXXX = ± .0005 .XXX = ± .010 .XX = ± .03 .X = ± .1 ANGLES = ± 2° Amphenol STANDARDS PER 9-3800		PREPARED BY:	Bruce Lee	2021/3/25
		LEAD/PRODUCT ENGINEER:	Bruce Lee	
		ENGINEERING MANAGER:	Ran Xiao	
		PRODUCT GROUP:	C&I	
		AIPG DIVISION:	AIO	
THIRD ANGLE PROJECTION		MATERIAL SPEC	PROCESS SPEC	
		N/A	N/A	

<b>AMPHENOL CORPORATION</b>			
Amphenol Technology (Zhuhai) Co. Ltd. No. 63 Xingnan Road, Sanzao Town, Jinwan, Zhuhai, PRC			
<b>CONTACT SOCKET, QUADRAX</b>			
<b>QX4-20-S-120</b>			
<b>GOLD PLATED</b>			
SIZE	CAGE CODE	DOCUMENT NUMBER	REV
C	77820	10-765917-12S	PA1
SCALE: 6:1	REF:	SHEET 1 OF 1	

# Mouser Electronics

Authorized Distributor

Click to View Pricing, Inventory, Delivery & Lifecycle Information:

[Amphenol:](#)

[QX4-20-S-120](#)