

PPC-10510U-150-C

User Manual

Release 1.0



Chipsee Products Naming Rules

PPC-10510U/3855/7200U-150-C	
PPC	Product with shell
10510U 3855 7200U	Intel CPU model
150	The product is 15 inches and the display resolution is 1024 x 768 pixels
C	C means capacitive touch R means resistive touch

Hardware Features

Key Features:	
CPU	Intel Core i7-10510U / Intel Celeron 3855/ i5-7200U, 1.8GHz, Quad-core
RAM	Default 4GB/8GB/16GB (1 x S0-DIMM DDR4)
Storage	32GB, MSATA SSD support up to 512GB (1 x 2.5 "SATA HDD/SDD, 1 x MSATA)
Display	Intel HD graphics, Support HDMI output, Core graphics card/shared memory, Display resolution: 1024*768, Brightness: 350cd/□
Touch	High-temperature resistance touch screen
USB	4x USB 3.0 HOST
LAN	RJ-45x2 Intel®I211, 10/100/1000 Base-TX, support Wake on LAN
UART	Default 2*RS232/RS485, Optional +2*RS232
SATA	1 mSATA
WiFi/BT	Optional
HDMI	1 Channel

4G/LTE	Optional
Power Input	12~24V DC
Working Temperature	-20°C to +60°C
OS	This product comes with a pre-installed Linux operating system. You can also choose to get Windows 7, or Windows 10 operating system installed.
Dimension	376*300*61.7mm
Weight	4500g

**PPC-10510U/3855/
7200U-150-C**



Figure 1: Front View

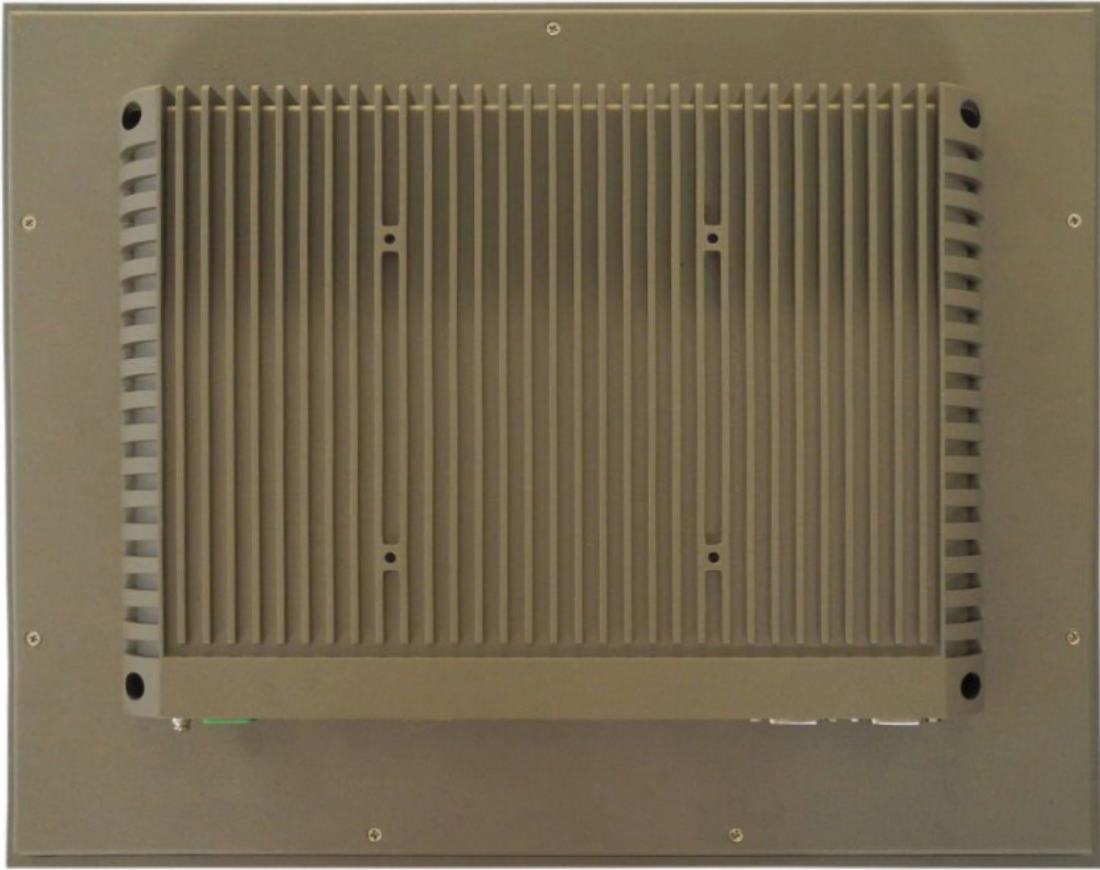


Figure 2: Back View



Figure 3: Side View

Power Input Connector

The PPC-10510U/3855/7200U-150-C uses a wide-range power input DC 12~24V. The Power Input Connector is one 2 Pin 3.81mm Screw Terminal Connector as Figure 4 shows.



Figure 4: Power Input Connector

RS485+RS232 Connector

The PPC-10510U/3855/7200U-150-C has 4 COM connectors (4RS232 by default; COM1 and COM2 can be configured as RS232 or RS485). Please feel free to [contact us](#) if you need a different configuration from the default one.

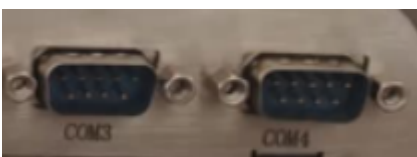


Figure 5: RS485+RS232 Connector

USB HOST Connector

The product PPC-10510U/3855/7200U-150-C has four USB 3.0 interfaces, as shown in Figure 6. USB 2.0 transfer speed is

480 megabits per second (Mbps), while the USB 3.0 transfer speed is 4,800 Mbps. This means USB 3.0 is approximately 10 times faster than USB 2.0, and as such, it is more energy-efficient. The port is compatible with USB 2.0 devices.



Figure 6: USB HOST Connector

LAN Connector

The PPC-10510U/3855/7200U-150-C has a two-channel 1000Mbit Ethernet Connector (LAN), as Figure 7 shows.

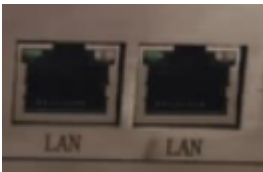


Figure 7: LAN Connector

HDMI Connector

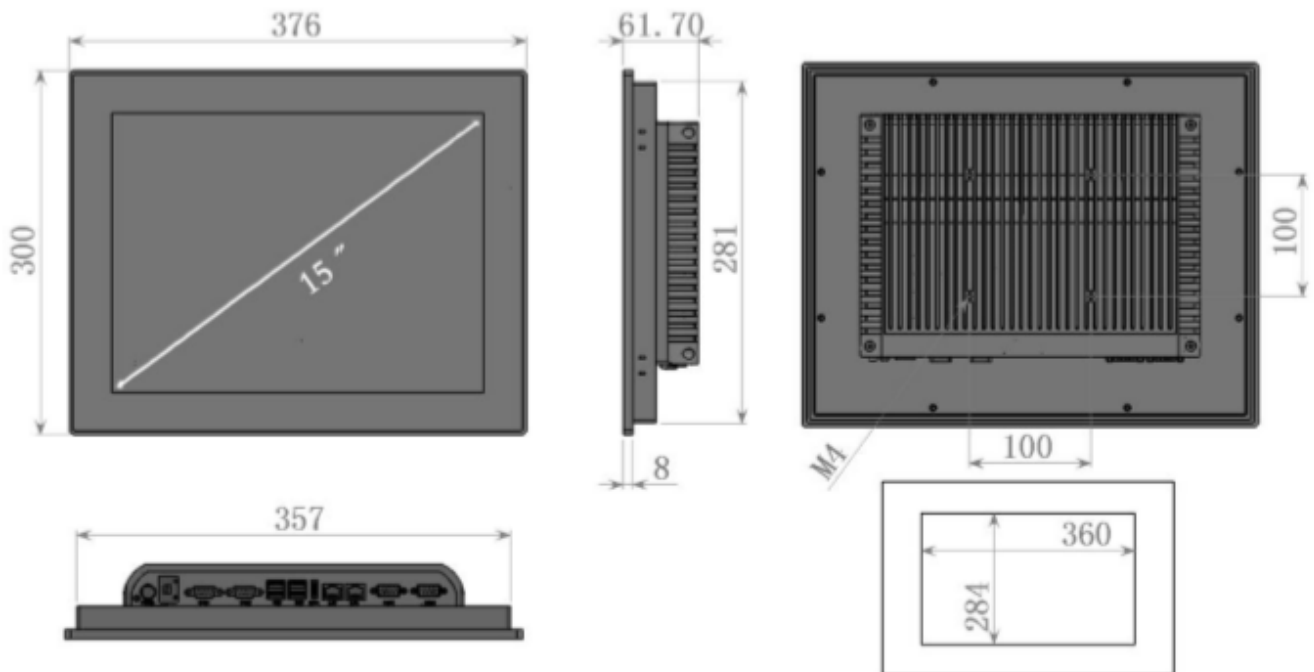
The PPC-10510U/3855/7200U-150-C has one HDMI connector as shown in Figure 8. The HDMI output resolution can be configured by the software.



Figure 8: HDMI Connector

The dimensions of PPC-10510U/3855/7200U-150-C

The dimensions of PPC-10510U/3855/7200U-150-C are 376*300*61.7mm



How to Get Support

Please feel free to contact us with any questions, queries or suggestions.

If your question is about technical support or troubleshooting for one of our products, we kindly ask you to first check our documentation for a possible solution.

If you cannot find the solution you are looking for then please write to service@chipsee.com providing all possible details.

Mouser Electronics

Authorized Distributor

Click to View Pricing, Inventory, Delivery & Lifecycle Information:

[Chipsee:](#)

[PPC-10510U-150-C](#) [PPC-7200U-150-C](#)