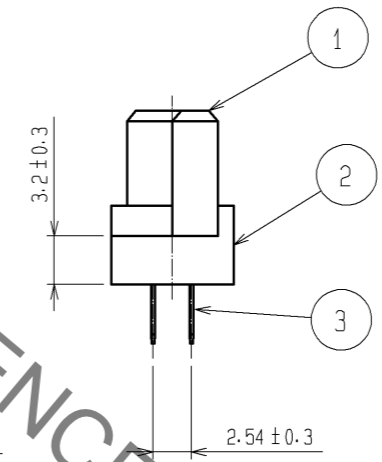
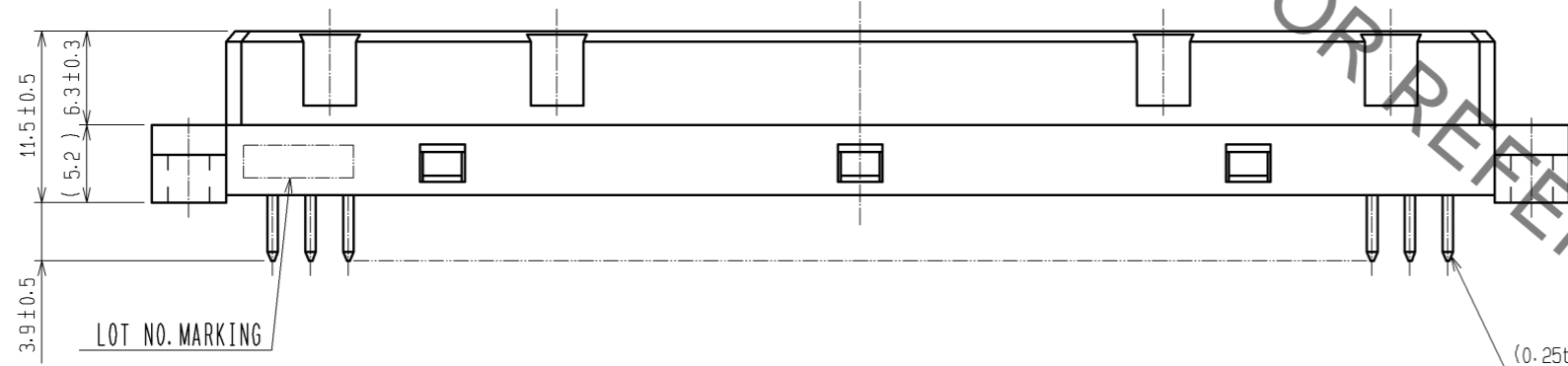
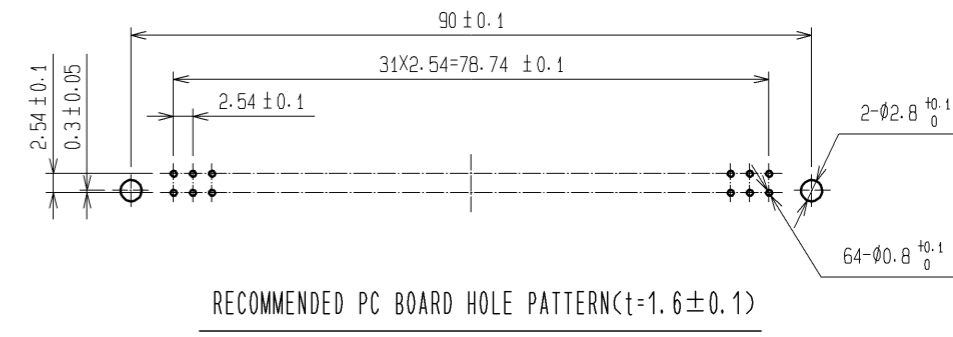
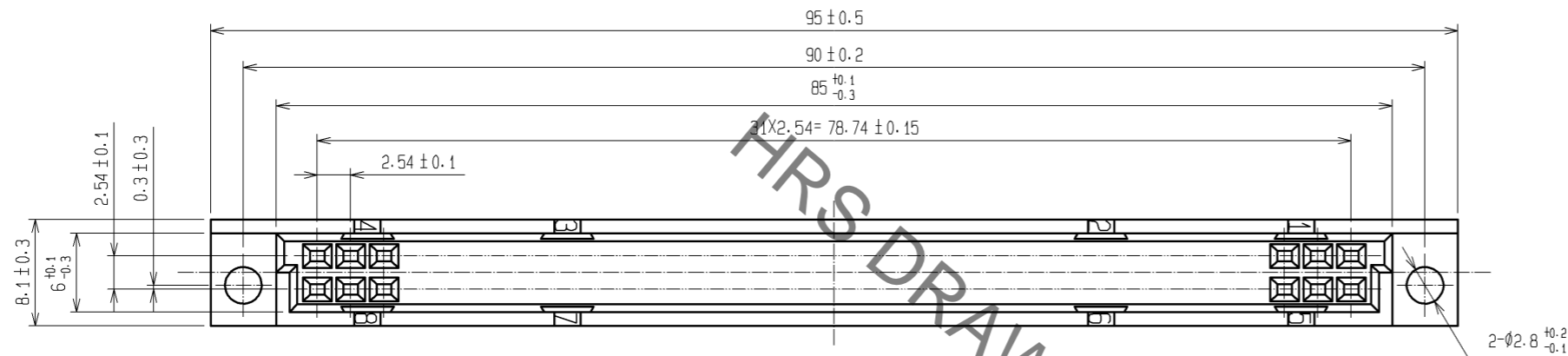


Jan.1.2022 Copyright 2022 HIROSE ELECTRIC CO., LTD. All Rights Reserved.
 In case of consideration for using Automotive equipment / device which demand high reliability, kindly contact our sales window correspondents.



1, 2	PBT	GRAY UL94V-0	3	COPPER ALLOY	CONTACT AREA : Ni1μm+Au0.2μm DIP AREA : Ni1μm+Sn1μm
NO.	MATERIAL	FINISH . REMARKS	NO.	MATERIAL	FINISH . REMARKS
UNITS mm		SCALE 2 : 1	COUNT 	DESCRIPTION OF REVISIONS	DESIGNED
HRS HIROSE ELECTRIC CO., LTD.		APPROVED : KI. AKIYAMA 10.01.22	DRAWING NO. EDC3-018374-01		
		CHECKED : NH. SUGITA 10.01.22	PART NO. PCN10-64S-2.54DSA(72)		
		DESIGNED : KJ. NISHIWAKI 10.01.22	CODE NO. CL583-0021-9-72		
		DRAWN : CR. TAKESHIMA 10.01.21	1/1		

Mouser Electronics

Authorized Distributor

Click to View Pricing, Inventory, Delivery & Lifecycle Information:

[Hirose Electric:](#)

[PCN10-64S-2.54DSA\(72\)](#)