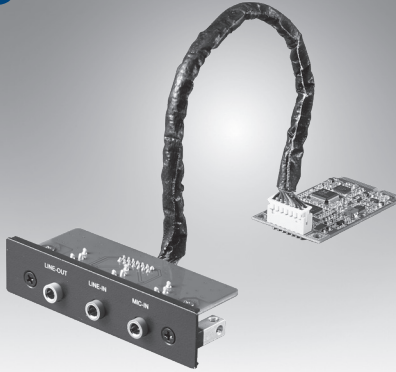


# PCM-27J3AU

## 3-Port Audio Stereo, mPCIe, 3.5 mm Jack

NEW



### Features

- Meets Advantech iDoor technology standard
- 3 x 3.5 mm jack (Line-in, Line-out, MIC-in)
- 102 dB signal-to-noise ratio (A-weighting) for DAC output
- 97 dB signal-to-noise ratio (A-weighting) for ADC input
- All DACs/ADCs support 44.1/48/96/192 kHz sample rate
- Supports two stereo digital microphone inputs
- S/PDIF-OUT supports 16/20/24-bit format and 44.1/48/96/192 kHz rate
- Supports embedded automation PC (UNO-2200/2300 series)
- Supports control DIN-Rail PC (UNO-1300/1400 series)
- Supports control cabinet PC (UNO-3200/3300/3400 series)
- Supports control panel computers (TPC-xx81/xx82 series)
- Supports thin client panel computers (TPC-xx51 series)

### Introduction

The PCM-27 series are digital/analog input/output modules from Advantech iDoor Technology. They are all compatible with the PCI Express® Mini Card Specification Revision 1.2, including isolated / non-isolated RS-232/422/485 communication cards for automation control, Wi-Fi/3G/GPS/GSM/LTE wireless communication models for data exchange for management and machine level automation applications, ZigBee module as an IoT terminal or controller and PoE function for smart cameras in detection-inspection-production applications. This is a flexible design that enables customers to customize their features with iDoor Technology.

### Specifications

#### General

- **Bus Type** PCI Express Mini Card Revision TM 2.0 (USB differential)
- **Certification** CE, FCC class A
- **Connector** 3 x 3.5 mm Jack (1/8") (Line-in, Line-out, MIC-in)
- **Dimensions** Module: 51 x 30 x 12.4 mm (2" x 1.18" x 0.49")
- **I/O Plate:** 81 x 19.4 x 41 mm (3.19" x 0.76" x 1.61")
- **Power Consumption** 25 mW per channel @ 5 V<sub>DC</sub>

#### Communication

- **Audio Chipset** Realtek ALC286S-VC
- **Channels** 4-channels (supports independent 2 stereo channels for DAC/ADC)
- **Input/Output Full-Scale Voltage** 1.3/1.2 V<sub>rms</sub> (input/output)
- **Analog Playback/Recording Sample Rate and Resolution** 44.1/48/96/192 kHz @ 24 bit
- **Signal to Noise Ratio (SNR)** 120 dB for DAC output; 97 dB for ADC input

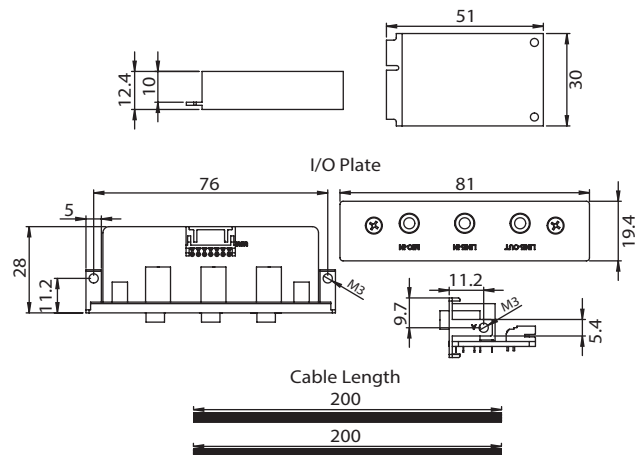
#### Software

- **OS Support** Microsoft® Windows® XP/7/8

#### Environment

- **Humidity (Operating)** 5-95% RH, non-condensing
- **Operating Temperature** -20 ~ 60°C (-4 ~ 140°F)
- **Storage Temperature** -40 ~ 85°C (-40 ~ 185°F)

### Dimensions



### Ordering Information

- **PCM-27J3AU-AE** 3-Port Audio Stereo, mPCIe, 3.5 mm Jack

# Mouser Electronics

Authorized Distributor

Click to View Pricing, Inventory, Delivery & Lifecycle Information:

[Advantech:](#)

[PCM-27J3AU-AE](#)