
Single/Multi-Channel Power Monitor with Accumulator, 32V Full-Scale Range

Features

- High-Side/Low-Side Current Monitor with One, Two, Three or Four Channels:
 - 100 mV Full-Scale Range (FSR) for current sense voltage
 - Programmable FSR: -50 mv to +50 mv
 - 16-bit resolution for current measurements
 - External sense resistor sets the full-scale current range
 - Very low input current simplifies routing
- Voltage Monitor with Wide V_{BUS} Range
 - 0V to 32V FSR
 - 16V programmable V_{BUS} option
 - 16-bit resolution for voltage measurements
- V_{SOURCE} Can Be Applied before V_{DD} Is Applied
- Real-Time Auto-Calibration of Offset Error for Voltage and Current
- 1% Power Measurement Accuracy over a Wide Dynamic Range
- On-Chip Accumulation of 30-bit Power Results for Energy Measurement
 - User programmable sampling rates of 8, 64, 256 and 1024 SPS
 - 5120 SPS for a single channel in Burst mode
- 2.7V to 5.5V Supply Operation
 - 1.62-5.5V capable I²C/SMBus and digital I/O
 - SMBus 3.1 and I²C Fast Mode Plus, 1 Mbps
 - High-Speed mode (3.4 Mbps)
- SMBus Address – 16 Options, Set with Resistor
- ALERT Features that Can Be Enabled:
 - ALERT on conversion complete
 - ALERT on Over/Undervoltage and Current or Overpower conditions
- Coulomb Counting: When Selected, the Accumulator Accumulates V_{SENSE} Values.
- 8X Averaging Mode for Single-Shot Measurements to Reduce Noise and Offset
- Two Independent ALERT/GPIO pins
- Available Packages
 - 3 x 3 mm 16-Lead VQFN with wettable flanks
 - 2.225 x 2.17 mm 16-Lead WLCSP

Applications

- Embedded Computing
- Networking
- FPGA Systems
- Low-Voltage/High-Power – AI, GPU
- Industrial
- Linux® Applications
- Notebook and Tablet Computing
- Cloud, Linux and Server Computing
- Optical Networking Modules

Computing Platform Support

- Windows® 10 Driver
- Linux Driver
- Python™ Script
- MCC Library

Description

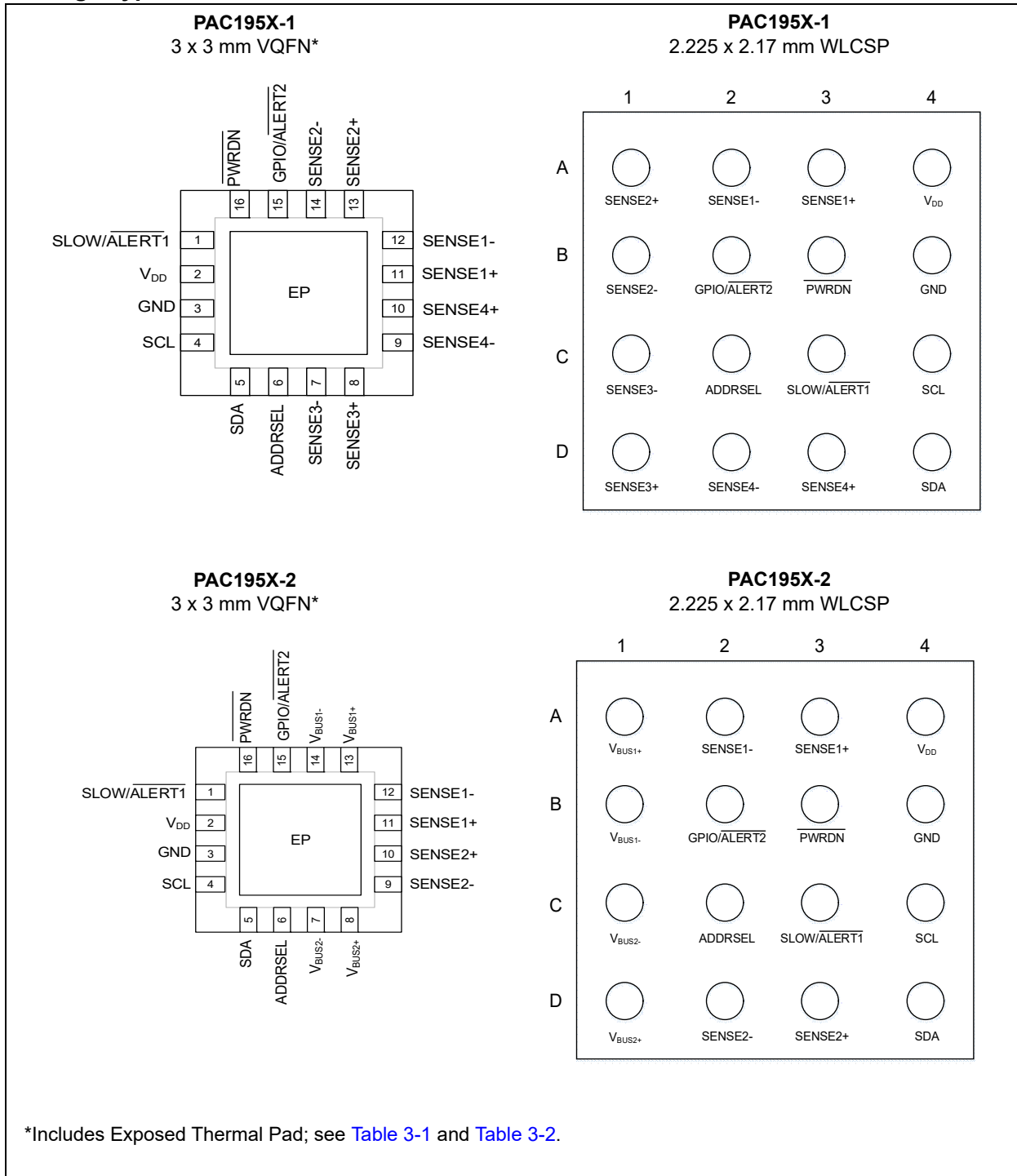
The PAC195X products are one, two, three and four-channel energy monitors, with bus voltage monitors and current sense amplifiers that feed high-resolution ADCs. There are two versions of the PAC195X: the PAC195X-1 devices are for high-side current sensing and the PAC195X-2 devices are for low-side current sensing or floating VBUS applications.

Digital circuitry performs power calculations and energy accumulation. This enables energy monitoring with integration periods up to one year or longer. Bus voltage, sense resistor voltage and accumulated proportional power are stored in registers for retrieval by the system host or embedded controller. The PAC195X devices have a set of digital comparators that allow the user to detect over/undervoltage, over/undercurrent and overpower against user programmed limits for each channel and generate an ALERT when the threshold is exceeded.

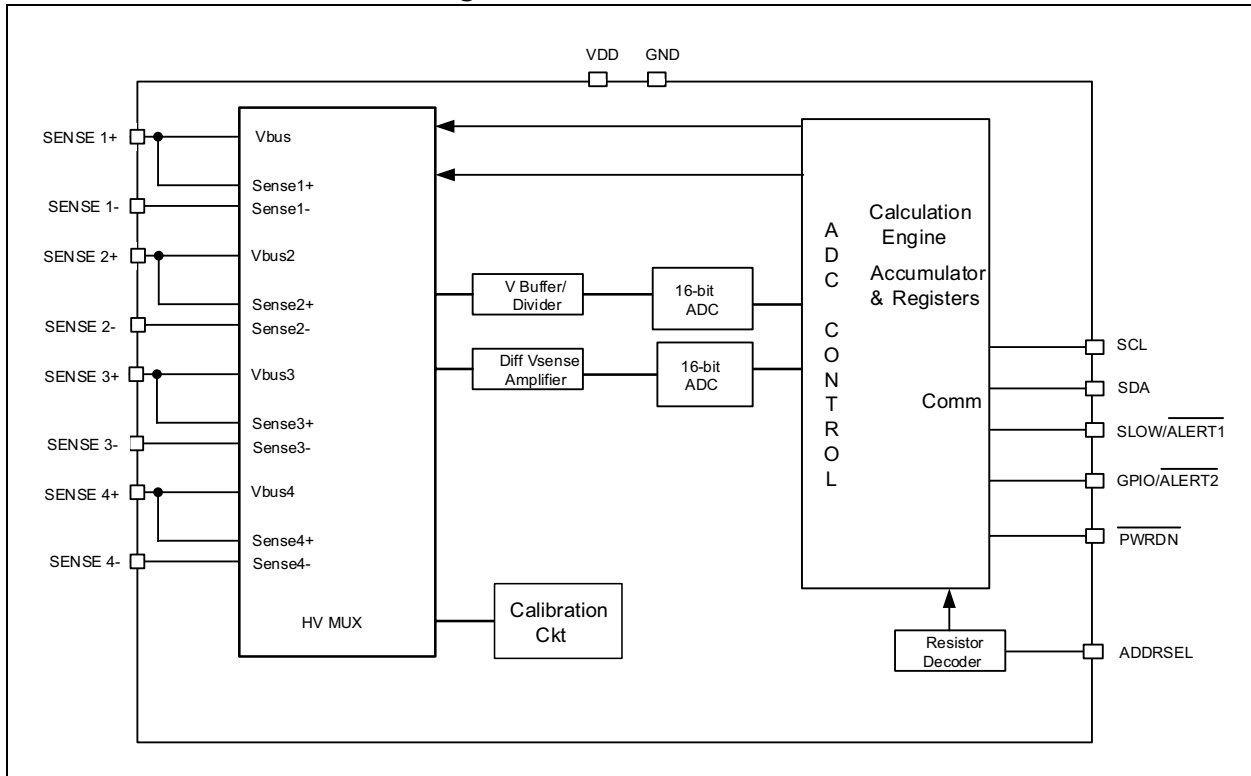
The sampling rate and energy integration period can be controlled over SMBus or I²C. Active channel selection, single-shot measurements and other controls are also configurable by the SMBus or I²C. The PAC195X device family uses real-time calibration to minimize the offset error. No input filters are required for this device.

PAC195X

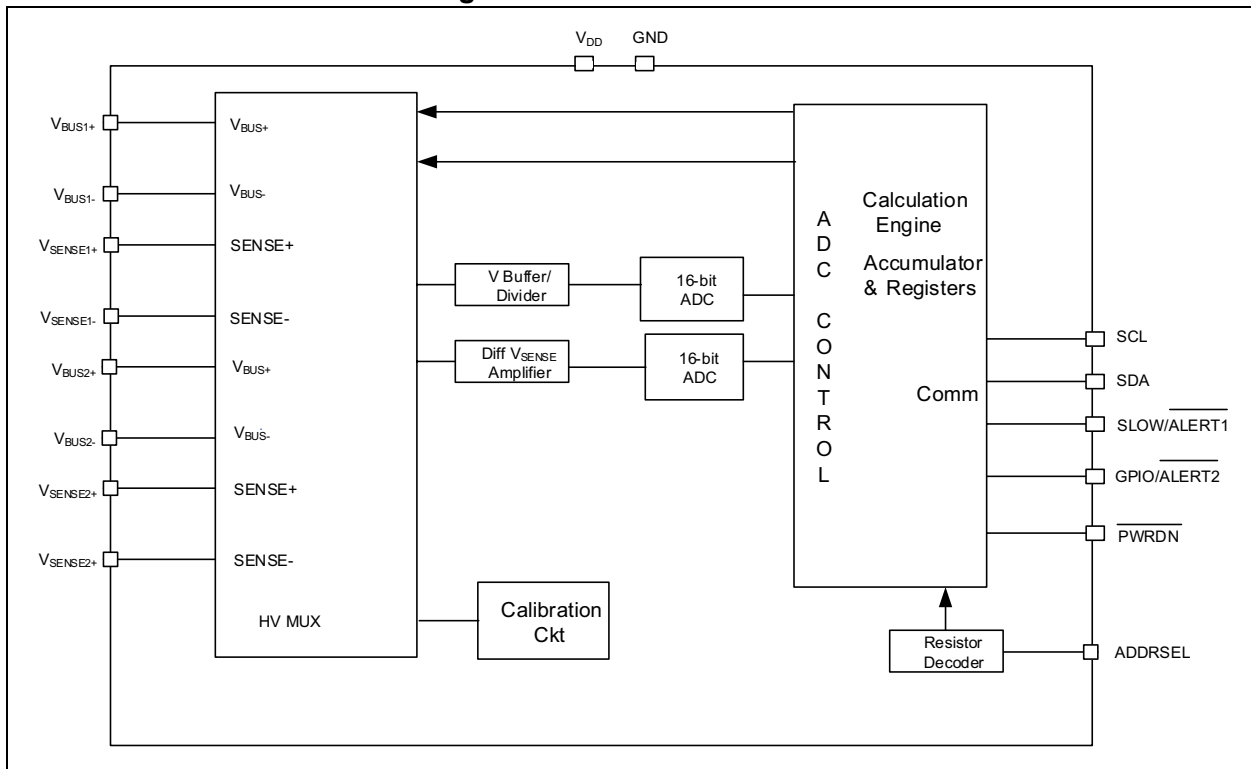
Package Types



PAC195X-1 Functional Block Diagram



PAC195X-2 Functional Block Diagram



PAC195X

NOTES:

1.0 ELECTRICAL CHARACTERISTICS

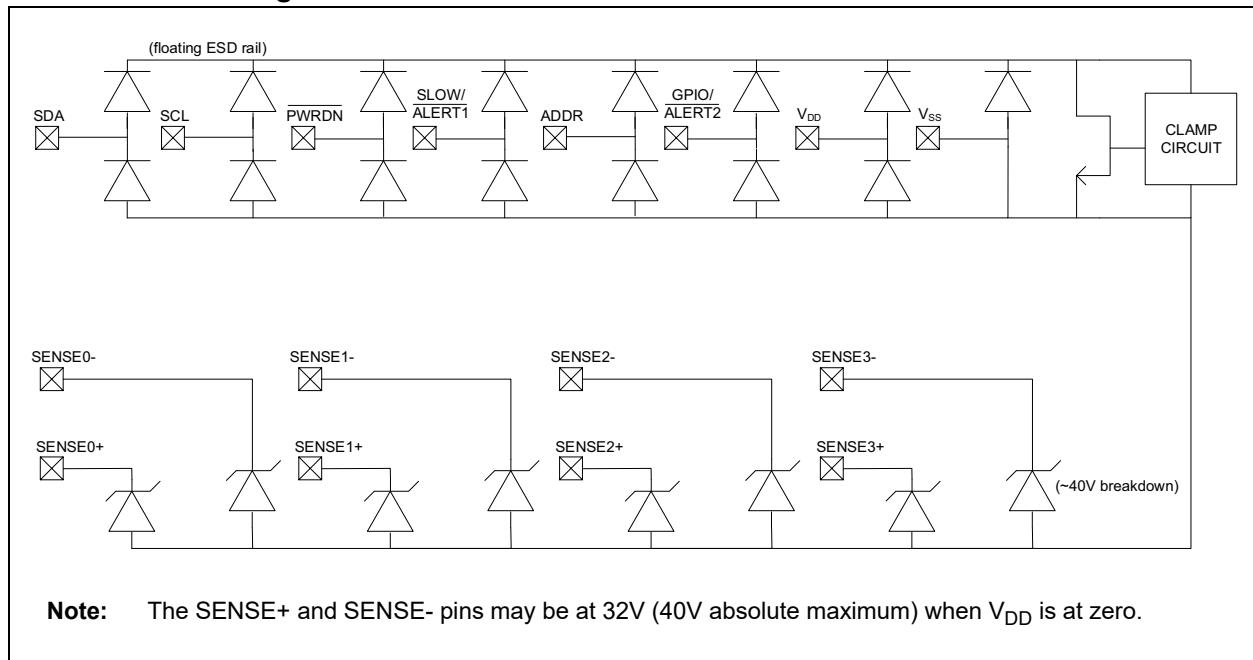
1.1 Electrical Specifications

Absolute Maximum Ratings^(†)

V _{DD} Pin	-0.3 to 6.0V
Voltage on SENSE- and SENSE+ Pins	-0.3 to 40V
Voltage on Any Other Pin to GND	-0.3 to 6.0V
Voltage between Sense Pins ((SENSE+ – SENSE-))	500 mV
Input Current to Any Pin Except V _{DD}	±100 mA
Output Short-Circuit Current	Continuous
Operating Ambient Temperature Range.....	-40°C to +150°C
Storage Temperature Range.....	-55°C to +150°C
ESD Rating – All Pins – HBM.....	7500V
ESD Rating – All Pins – CDM.....	2000V

† **Notice:** Stresses above those listed under “Absolute Maximum Ratings” may cause permanent damage to the device. This is a stress rating only and functional operation of the device at those or any other conditions above those indicated in the operation listings of this specification is not implied. Exposure above maximum rating conditions for extended periods may affect device reliability.

ESD Protection Diagram



PAC195X

DC ELECTRICAL CHARACTERISTICS

Electrical Characteristics: Unless otherwise specified, $T_A = -40^{\circ}\text{C}$ to $+125^{\circ}\text{C}$, $V_{DD} = 2.7\text{V}$ to 5.5V , $V_{BUS} = 0\text{V}$ to 32V ; $V_{SENSE} = (\text{SENSE+} - \text{SENSE-}) = 0\text{V}$; Typical values are at $T_A = +25^{\circ}\text{C}$, $V_{DD} = 3.3\text{V}$						
Parameters	Sym.	Min.	Typ.	Max.	Units	Conditions
Power Supply						
V_{DD} Range	V_{DD}	2.7	—	5.5	V	
V_{DD} Active Current	I_{DD}	—	395	495	μA	1024 SPS, 4 channels enabled
		—	395	440		1024 SPS, 4 channels enabled $T_A = 0^{\circ}\text{C}$ to $+85^{\circ}\text{C}$
		—	12	25		8 SPS, 4 channels enabled $T_A = 0^{\circ}\text{C}$ to $+85^{\circ}\text{C}$
V_{DD} Sleep Current	I_{DD_SLEEP}	—	5	—	μA	
V_{DD} Power-Down Current	I_{DD_PWRDN}	0	—	8	μA	
Minimum V_{DD} Rise Rate	$V_{DD_RISE_MIN}$	—	0.05	—	V/ms	0V to 5V in 100 ms
Maximum V_{DD} Rise Rate	$V_{DD_RISE_MAX}$	—	1000	—	V/ms	0V to 5V in 5 μs
POR Level	V_{POR}	—	1.35	—	V	
Analog Input Characteristics						
Bus Voltage Range	V_{BUS}	-0.2V	—	32	V	Common-mode voltage on SENSE pins, referenced to ground
V_{SENSE} Differential Input Voltage Range	V_{SENSE_DIF}	-100	—	100	mV	
SENSE+, SENSE- Pin Input Current	I_{SENSE+}, I_{SENSE-}	-6	0.6	6	μA	$V_{SENSE+} = V_{SENSE-} = \text{Full scale}$ All states include leakage current and average value of the capacitively coupled switching current.
		-1	0.4	1		$V_{SENSE+} = 6\text{V}$, $V_{SENSE-} = 5.9\text{V}$ All states include leakage current and average value of the capacitively coupled switching current.
V_{BUS} , V_{SENSE} Input Trace Resistance (allowable trace resistance without measurement error)	R_{TRACE}	—	1	—	k Ω	
Measurement Accuracy						
V_{SENSE} ADC Data Resolution	V_{SENSE_RES}	—	—	16	Bits	
V_{SENSE} LSB Step Size	V_{SENSE_LSB}	—	1.50	—	μV	FSR = 100 mV
		—	3.05	—		FSR = ± 100 mV
V_{BUS} LSB Step Size	V_{BUS_LSB}	—	488	—	μV	FSR = 32V, 16-bit resolution
		—	976	—		FSR = $\pm 32\text{V}$, 16V resolution
V_{BUS} ADC Data Resolution	V_{BUS_RES}	—	—	16	Bits	14 bits are used for power calculations, 16 bits are reported when the V_{BUS} measurement result is read

DC ELECTRICAL CHARACTERISTICS (CONTINUED)

Electrical Characteristics: Unless otherwise specified, $T_A = -40^{\circ}\text{C}$ to $+125^{\circ}\text{C}$,
 $V_{DD} = 2.7\text{V}$ to 5.5V , $V_{BUS} = 0\text{V}$ to 32V ; $V_{SENSE} = (\text{SENSE+} - \text{SENSE-}) = 0\text{V}$;
 Typical values are at $T_A = +25^{\circ}\text{C}$, $V_{DD} = 3.3\text{V}$

Parameters	Sym.	Min.	Typ.	Max.	Units	Conditions
V_{SENSE} Gain Accuracy	$V_{SENSE_GAIN_ERR}$	—	± 0.1 ± 0.3	± 0.5	%	At $+25^{\circ}\text{C}$ typical, -40°C to $+125^{\circ}\text{C}$
V_{SENSE} Offset Accuracy, Referenced to Input	$V_{SENSE_OFFSET_ERR}$	—	± 25	± 100	μV	16-bit resolution
V_{BUS} Gain Accuracy	$V_{BUS_GAIN_ERR}$	—	± 0.02 ± 0.2	± 0.25	%	At $+25^{\circ}\text{C}$ typical, -40°C to $+125^{\circ}\text{C}$
Power Accumulator Accuracy (1 Sigma Error Range with > 1000 Accumulations)						
Accumulator Error	ACC_Err	—	0.1	—	%	$V_{SENSE} = 97\text{ mV}$
		—	0.1	—		$V_{SENSE} = 10\text{ mV}$
		—	1	—		$V_{SENSE} = 1\text{ mV}$
		—	2	—		$V_{SENSE} = 100\ \mu\text{V}$
		—	4	—		$V_{SENSE} = 50\ \mu\text{V}$
Active Mode Timing						
Time to First Communications	t_{INT_T}	—	—	50	ms	Time after V_{DD} is applied before it is ready to begin communication and measurement.
Transition from Sleep State to Start of Conversion Cycle	$t_{SLEEP_TO_ACTIVE}$	—	—	5	ms	Time from Sleep state exit commanded by register write to the beginning of the conversion cycle.
Digital I/O Pins (SLOW/ALERT, SM_CLK, SM_DATA Pins)						
Input High Voltage	V_{IH}	1.35	—	—	V	
Input Low Voltage	V_{IL}	—	—	0.8	V	
Output Low Voltage	V_{OL}	—	—	0.4	V	Sinking 8 mA for the ALERT pins and 20 mA for the CLK pin in all modes. 4 mA for the SDA pin in 3.4 MHz mode.
Leakage Current	I_{LEAK}	-0.5	—	+0.5	μA	Powered or unpowered
Digital I/O Pin (PWRDN)						
Input High Voltage	V_{IH}	1.3	—	—	V	
Input Low Voltage	V_{IL}	—	—	0.6	V	

PAC195X

AC ELECTRICAL CHARACTERISTICS – I²C/SMBUS TIMING

Electrical Characteristics: Unless otherwise specified, maximum values are at T_A = -40°C to +125°C, V_{DD} = 2.7V to 5.5V, V_{I/O} = 1.62V to 5.5V, V_{BUS} = 0V to 32V;
 Typical values are at T_A = +25°C, V_{DD} = 3.3V, V_{I/O} = 3.3V, V_{BUS} = 32V, V_{SENSE} = (SENSE+ – SENSE-) = 0V

Parameters	Sym.	Min.	Typ.	Max.	Units	Conditions
Clock Frequency	f _{SMB}	0.010	—	1	MHz	Fast Mode Plus. No minimum if Time-out is not enabled.
		0.010	—	3.4		High-Speed mode. No minimum if Time-out is not enabled.
Spike Suppression	t _{SP}	0	—	50	ns	Fast Mode Plus
		0	—	10		High-Speed mode
Bus Free Time Stop to Start	t _{BUF}	0.5	—	—	μs	Per SMBus 3.1
Hold Time after Repeated Start Condition	t _{HD:STA}	0.26	—	—	μs	Per SMBus 3.1, Fast Mode Plus
		0.16	—	—		Per SMBus 3.1, High-Speed mode
Repeated Start Condition Setup Time	t _{SU:STA}	0.26	—	—	μs	Per SMBus 3.1, Fast Mode Plus
		0.16	—	—		Per SMBus 3.1, High-Speed mode
Setup Time: Stop	t _{SU:STO}	0.26	—	—	μs	Per SMBus 3.1, Fast Mode Plus
		0.16	—	—		Per SMBus 3.1, High-Speed mode
Setup Time: Start	t _{SU:STA}	0.26	—	—	μs	Per SMBus 3.1, Fast Mode Plus
		0.16	—	—		Per SMBus 3.1, High-Speed mode
Data Hold Time	t _{HD:DAT}	0	—	—	ns	Per SMBus 3.1, Fast Mode Plus
		0	—	70		Per SMBus 3.1, High-Speed mode
Data Setup Time	t _{SU:DAT}	50	—	—	ns	Per SMBus 3.1, Fast Mode Plus
		10	—	—		Per SMBus 3.1, High-Speed mode
Clock Low Period	t _{LOW}	0.5	—	—	μs	Per SMBus 3.1, Fast Mode Plus
		0.16	—	—		Per SMBus 3.1, High-Speed mode
Clock High Period	t _{HIGH}	0.26	—	50	μs	Fast Mode Plus
		0.06	—	50		High-Speed mode
Clock/Data Fall Time	t _{FALL}	12	—	120	ns	Fast Mode Plus
Clock/Data Rise Time	t _{RISE}	—	—	120	ns	Fast Mode Plus
Clock Fall Time	t _{rCL}	10	—	40	ns	High-Speed mode
Clock Rise Time	t _{rCL}	10	—	40	ns	High-Speed mode
Data Fall Time	t _{rDA}	10	—	80	ns	High-Speed mode
Data Rise Time	t _{rDA}	10	—	80	ns	High-Speed mode

AC ELECTRICAL CHARACTERISTICS – I²C/SMBUS TIMING (CONTINUED)

Electrical Characteristics: Unless otherwise specified, maximum values are at $T_A = -40^{\circ}\text{C}$ to $+125^{\circ}\text{C}$, $V_{DD} = 2.7\text{V}$ to 5.5V , $V_{I/O} = 1.62\text{V}$ to 5.5V , $V_{BUS} = 0\text{V}$ to 32V ;
 Typical values are at $T_A = +25^{\circ}\text{C}$, $V_{DD} = 3.3\text{V}$, $V_{I/O} = 3.3\text{V}$, $V_{BUS} = 32\text{V}$, $V_{SENSE} = (\text{SENSE+} - \text{SENSE-}) = 0\text{V}$

Parameters	Sym.	Min.	Typ.	Max.	Units	Conditions
Capacitive Load	C_{LOAD}	—	—	550	pF	Per bus line, Fast Mode Plus
		—	—	100		Per bus line, High-Speed mode
SLOW Pin Pulse Width	SLOWpw	150	—	—	μs	Pulses narrower than 150 μs may not be detected

TEMPERATURE SPECIFICATIONS

Electrical Specifications: Unless otherwise specified, all parameters apply for $T_A = -40^{\circ}\text{C}$ to $+125^{\circ}\text{C}$, $V_{DD} = 2.7\text{V}$ to 5.5V , $V_{BUS} = 0\text{V}$ to 32V , $V_{SENSE+} - V_{SENSE-} = 0$

Parameters	Sym.	Min.	Typ.	Max.	Units	Conditions
Temperature Ranges						
Specified Temperature Range	T_A	-40	—	+125	°C	
Operating Temperature Range	T_A	-40	—	+125	°C	
Storage Temperature Range	T_{STG}	-55	—	+150	°C	
Thermal Package Resistance						
Thermal Resistance, 16-Lead VQFN	θ_{JA}	—	39.9	—	°C/W	
	θ_{JC}	—	23.1	—	°C/W	
Thermal Resistance, 16-Ball WLCSP	θ_{JA}	—	51.16	—	°C/W	
	θ_{JC}	—	4.85	—	°C/W	

PAC195X

NOTES:

2.0 TYPICAL PERFORMANCE CURVES

Note: The graphs and tables provided following this note are a statistical summary based on a limited number of samples and are provided for informational purposes only. The performance characteristics listed herein are not tested or guaranteed. In some graphs or tables, the data presented may be outside the specified operating range (e.g., outside specified power supply range) and therefore outside the warranted range.

Note: Unless otherwise indicated, maximum values are at $T_A = -40^\circ\text{C}$ to $+125^\circ\text{C}$, $V_{DD} = 2.7\text{V}$ to 5.5V , $V_{BUS} = 0\text{V}$ to 32V . Typical values are at $T_A = +25^\circ\text{C}$, $V_{DD} = 3.3\text{V}$, $V_{BUS} = 3.3\text{V}$, $V_{SENSE} = (\text{SENSE+} - \text{SENSE-}) = 0\text{V}$.

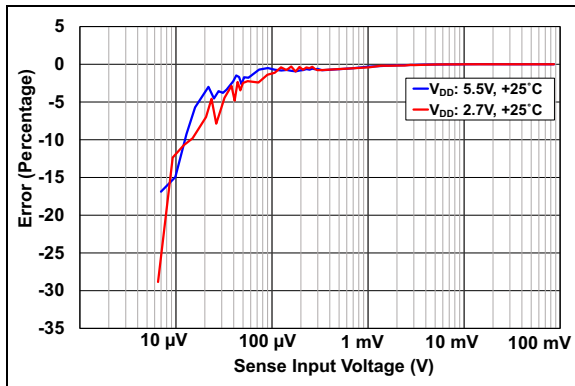


FIGURE 2-1: V_{SENSE} Error vs. V_{SENSE} Input Voltage.

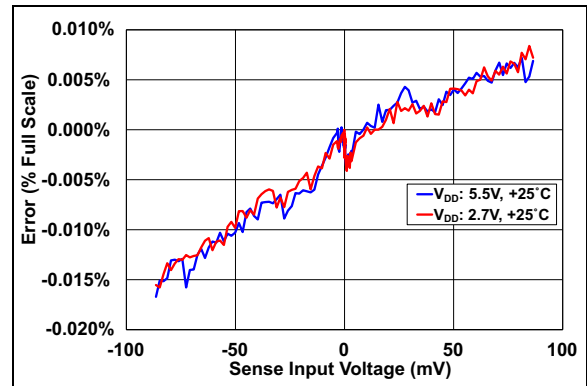


FIGURE 2-4: V_{SENSE} Error vs. V_{SENSE} Input Voltage, Bidirectional Mode.

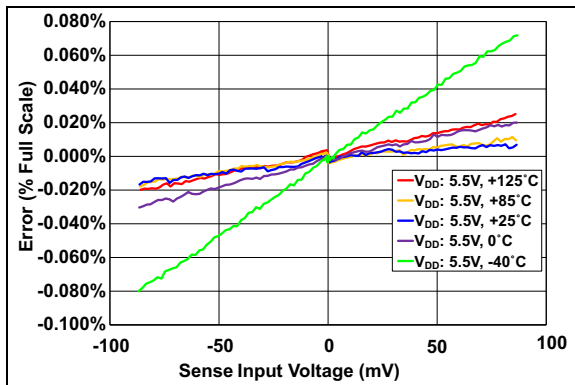


FIGURE 2-2: V_{SENSE} Error vs. V_{SENSE} Input Voltage, Bidirectional Mode.

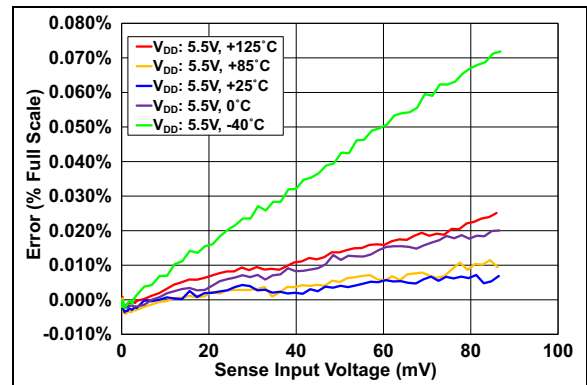


FIGURE 2-5: V_{SENSE} Error vs. V_{SENSE} Input Voltage at Multiple Temperatures.

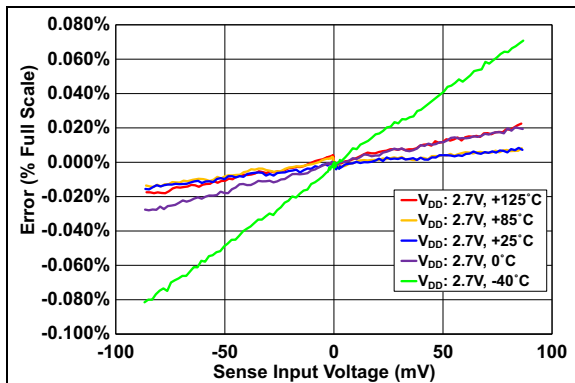


FIGURE 2-3: V_{SENSE} Error vs. V_{SENSE} Input Voltage, Bidirectional Mode.

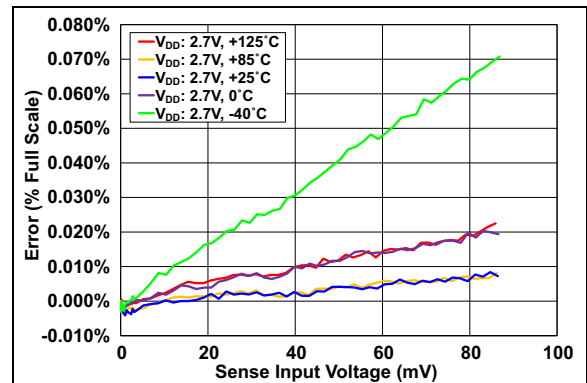


FIGURE 2-6: V_{SENSE} Error vs. V_{SENSE} Input Voltage at Multiple Temperatures.

PAC195X

Note: Unless otherwise indicated, maximum values are at $T_A = -40^\circ\text{C}$ to $+125^\circ\text{C}$, $V_{DD} = 2.7\text{V}$ to 5.5V , $V_{BUS} = 0\text{V}$ to 32V . Typical values are at $T_A = +25^\circ\text{C}$, $V_{DD} = 3.3\text{V}$, $V_{BUS} = 3.3\text{V}$, $V_{SENSE} = (\text{SENSE+} - \text{SENSE-}) = 0\text{V}$.

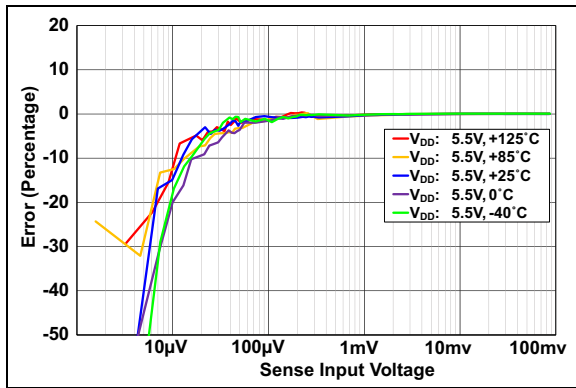


FIGURE 2-7: V_{SENSE} Error vs. V_{SENSE} Input Voltage at Multiple Temperatures.

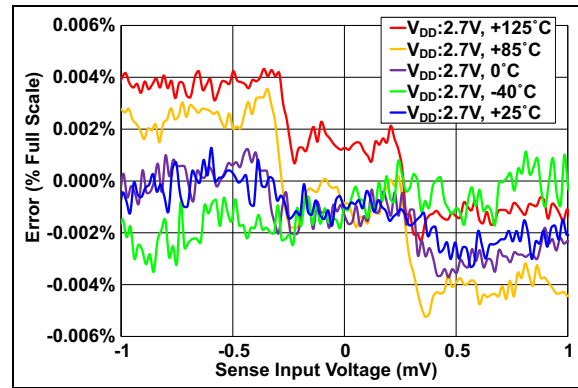


FIGURE 2-10: V_{SENSE} Error vs. V_{SENSE} Input Voltage, Bidirectional Mode (Zoom View).

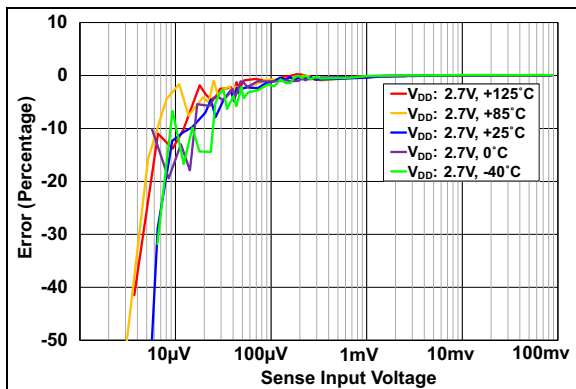


FIGURE 2-8: V_{SENSE} Error vs. V_{SENSE} Input Voltage at Multiple Temperatures.

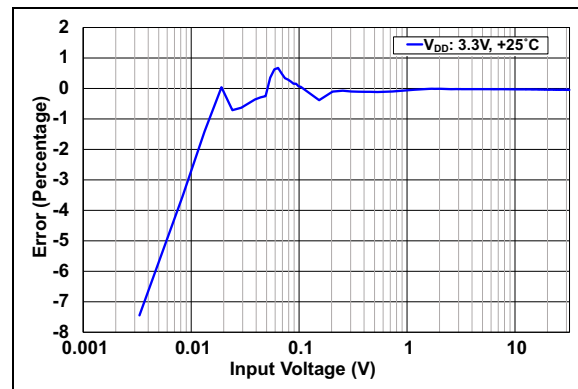


FIGURE 2-11: V_{BUS} Error vs. V_{BUS} Input Voltage.

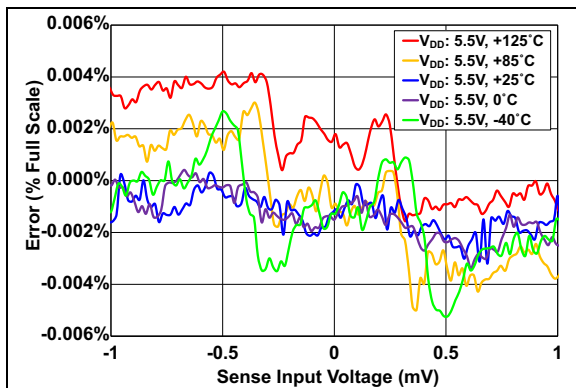


FIGURE 2-9: V_{SENSE} Error vs. V_{SENSE} Input Voltage, Bidirectional Mode (Zoom View).

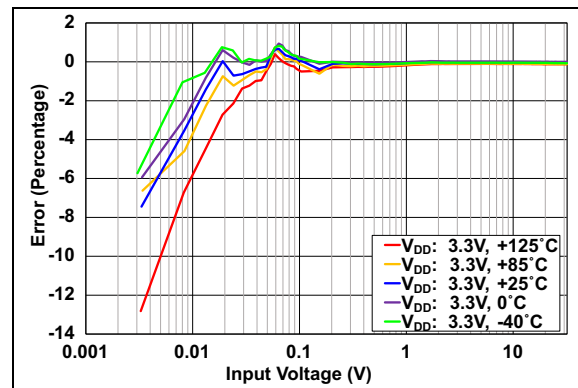


FIGURE 2-12: V_{BUS} Error vs. V_{BUS} Input Voltage at Multiple Temperatures.

Note: Unless otherwise indicated, maximum values are at $T_A = -40^\circ\text{C}$ to $+125^\circ\text{C}$, $V_{DD} = 2.7\text{V}$ to 5.5V , $V_{BUS} = 0\text{V}$ to 32V . Typical values are at $T_A = +25^\circ\text{C}$, $V_{DD} = 3.3\text{V}$, $V_{BUS} = 3.3\text{V}$, $V_{SENSE} = (\text{SENSE+} - \text{SENSE-}) = 0\text{V}$.

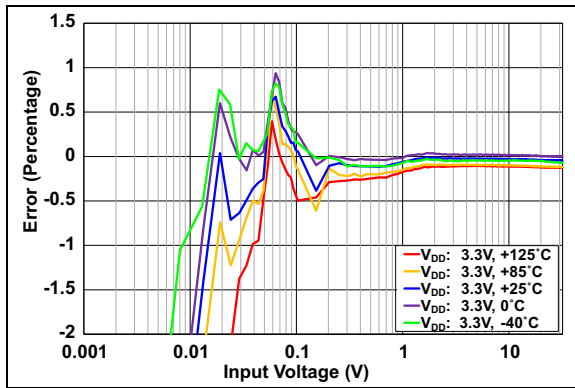


FIGURE 2-13: V_{BUS} Error vs. V_{BUS} Input Voltage at Multiple Temperatures (Zoom View).

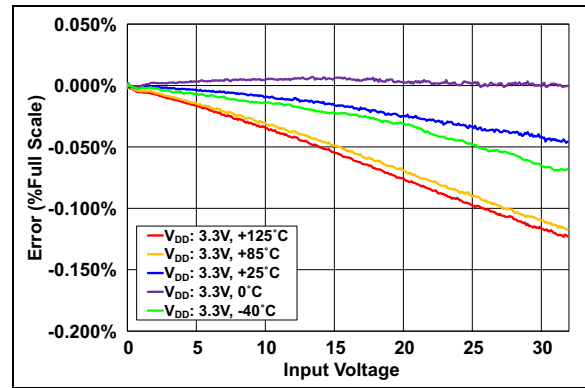


FIGURE 2-16: V_{BUS} Error vs. V_{BUS} Input Voltage at Multiple Temperatures.

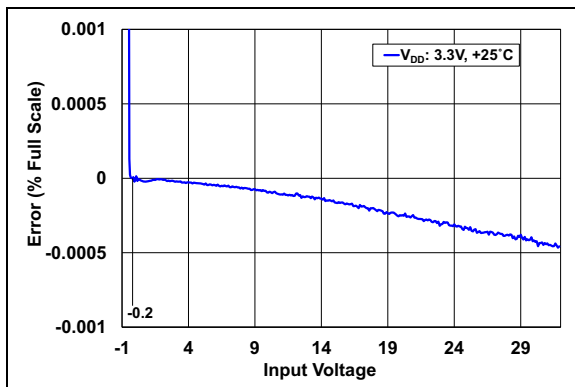


FIGURE 2-14: V_{BUS} Error vs. V_{BUS} Input Voltage (Bipolar Mode).

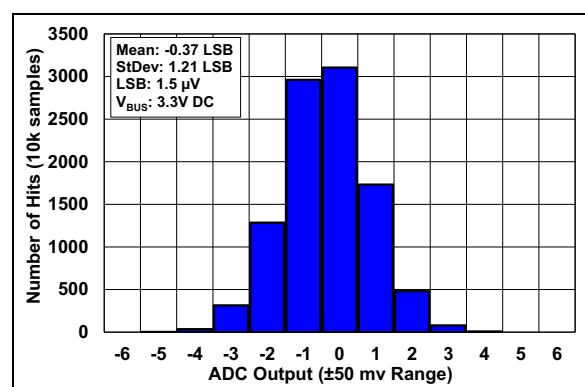


FIGURE 2-17: Zero Input Histogram for V_{SENSE} (LSBs, 8X Average Results, Total Measurements 10,000).

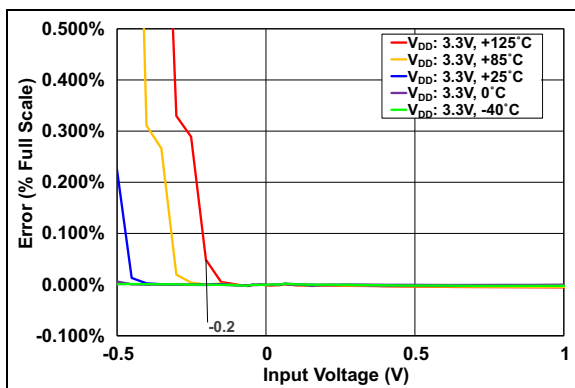


FIGURE 2-15: V_{BUS} Error vs. V_{BUS} Input Voltage at Multiple Temperatures (Bipolar Mode).

PAC195X

Note: Unless otherwise indicated, maximum values are at $T_A = -40^{\circ}\text{C}$ to $+125^{\circ}\text{C}$, $V_{DD} = 2.7\text{V}$ to 5.5V , $V_{BUS} = 0\text{V}$ to 32V . Typical values are at $T_A = +25^{\circ}\text{C}$, $V_{DD} = 3.3\text{V}$, $V_{BUS} = 3.3\text{V}$, $V_{SENSE} = (\text{SENSE+} - \text{SENSE-}) = 0\text{V}$.

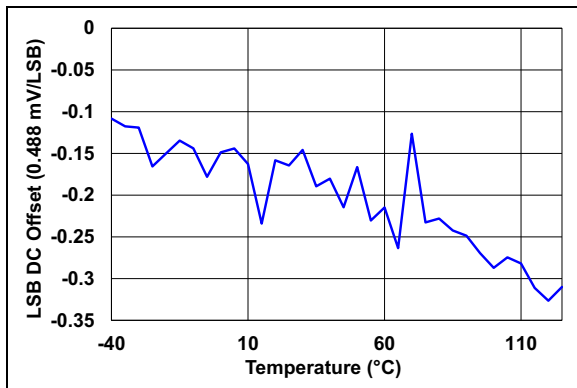


FIGURE 2-18: Input Offset for V_{BUS} Measurements vs. Temperature.

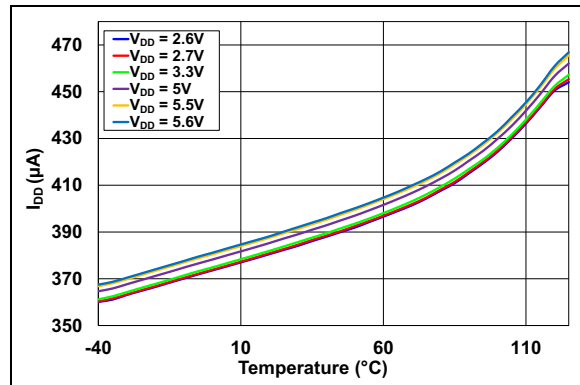


FIGURE 2-21: I_{DD} vs. Temperature and Supply at 1024 SPS.

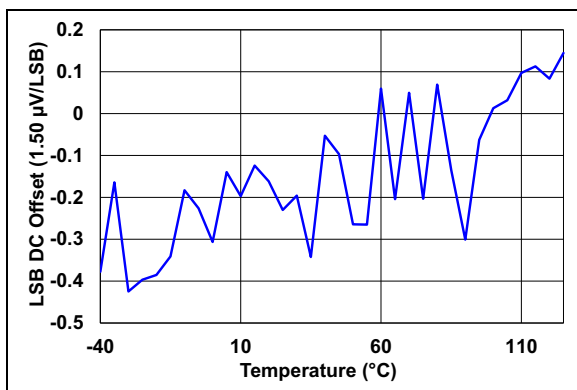


FIGURE 2-19: Input Offset for V_{SENSE} Measurements vs. Temperature.

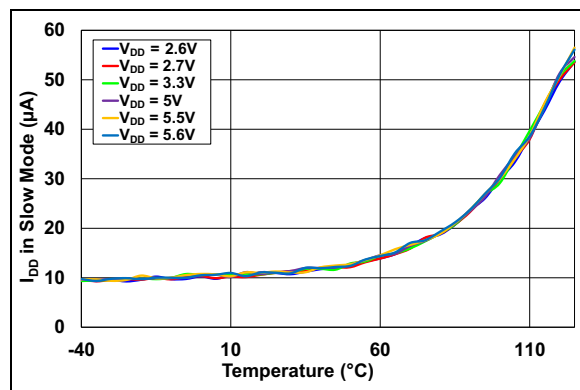


FIGURE 2-22: I_{DD} in Slow Mode vs. Temperature and Supply.

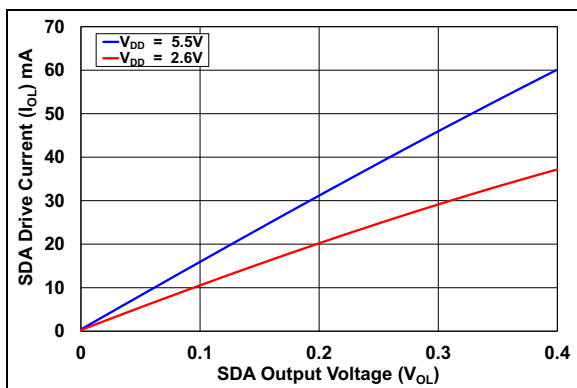


FIGURE 2-20: SDA Drive Current vs. V_{OL} at $+25^{\circ}\text{C}$.

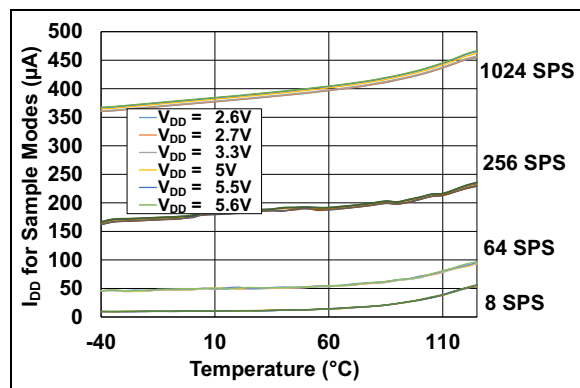


FIGURE 2-23: I_{DD} vs. Temperature, Supply and Sample Rate.

Note: Unless otherwise indicated, maximum values are at $T_A = -40^{\circ}\text{C}$ to $+125^{\circ}\text{C}$, $V_{DD} = 2.7\text{V}$ to 5.5V , $V_{BUS} = 0\text{V}$ to 32V . Typical values are at $T_A = +25^{\circ}\text{C}$, $V_{DD} = 3.3\text{V}$, $V_{BUS} = 3.3\text{V}$, $V_{SENSE} = (\text{SENSE}+ - \text{SENSE}-) = 0\text{V}$.

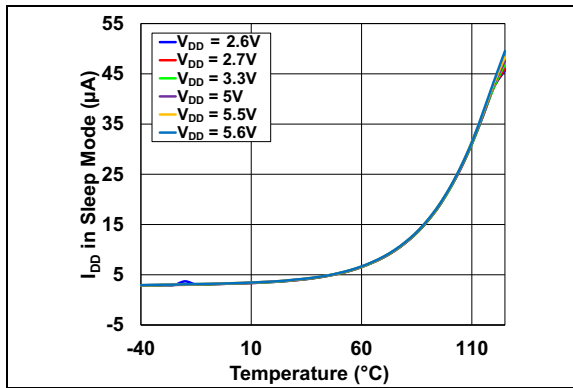


FIGURE 2-24: Sleep Mode Current vs. Temperature and Supply.

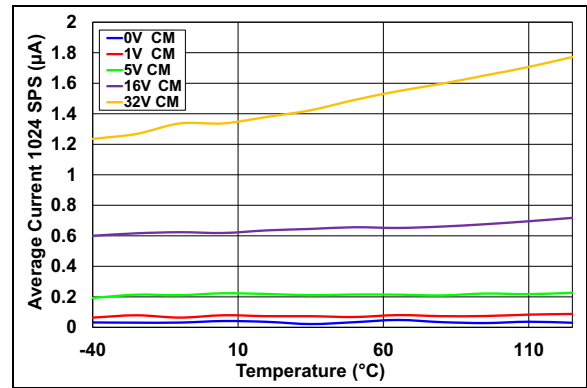


FIGURE 2-27: Average V_{SENSE} Input Current – Active Mode, 1024 SPS vs. Temperature and Common-Mode.

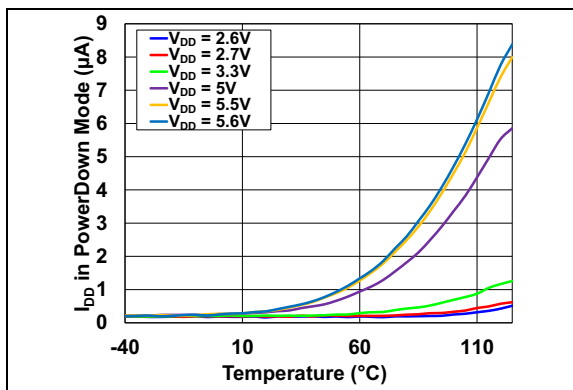


FIGURE 2-25: Power-Down Mode Current vs. Temperature and Supply.

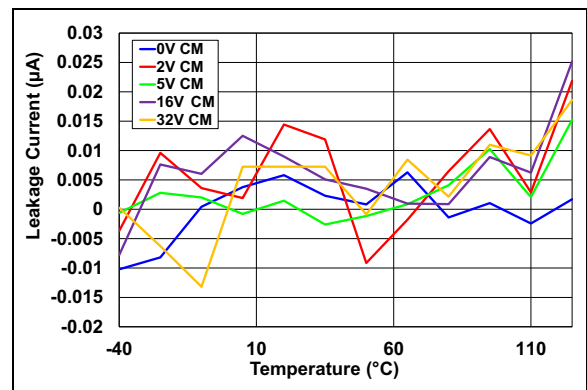


FIGURE 2-28: V_{BUS} Input Leakage Current vs. Temperature and Common-Mode.

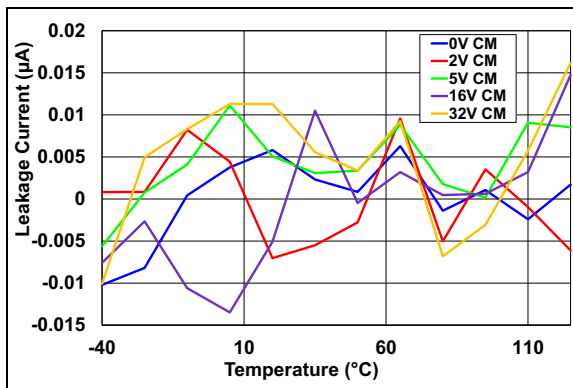


FIGURE 2-26: V_{SENSE} Input Leakage Current vs. Temperature and Common-Mode.

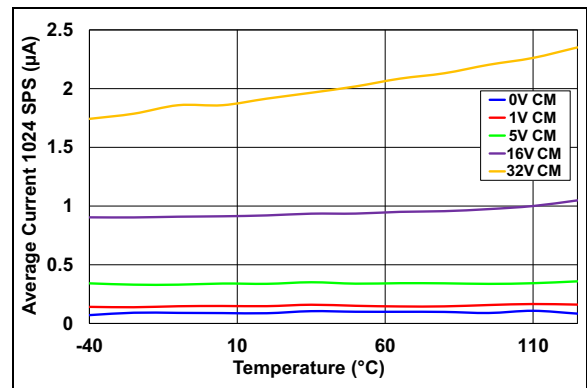


FIGURE 2-29: V_{BUS} Input Current – Active Mode, 1024 SPS vs. Temperature and Common-Mode.

PAC195X

Note: Unless otherwise indicated, maximum values are at $T_A = -40^\circ\text{C}$ to $+125^\circ\text{C}$, $V_{DD} = 2.7\text{V}$ to 5.5V , $V_{BUS} = 0\text{V}$ to 32V . Typical values are at $T_A = +25^\circ\text{C}$, $V_{DD} = 3.3\text{V}$, $V_{BUS} = 3.3\text{V}$, $V_{SENSE} = (\text{SENSE+} - \text{SENSE-}) = 0\text{V}$.

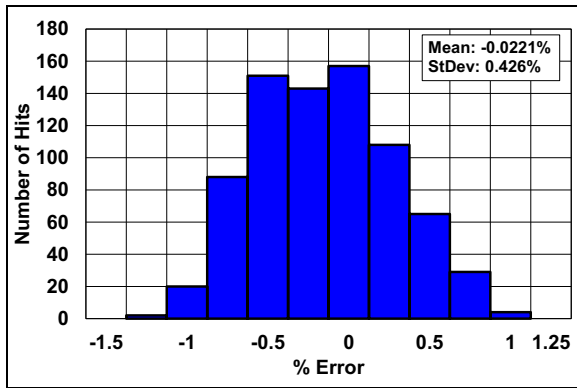


FIGURE 2-30: Clock Frequency Error -40°C to $+125^\circ\text{C}$. Total Population 768 Devices.

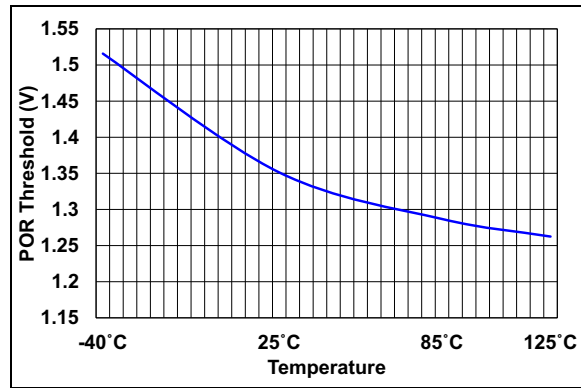


FIGURE 2-32: POR vs. Temperature.

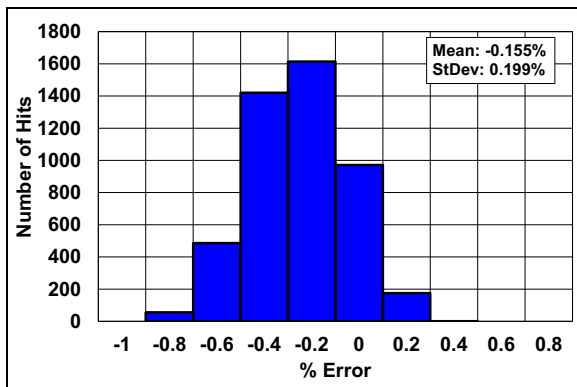


FIGURE 2-31: Clock Frequency Error at $+30^\circ\text{C}$. Total Population 4,723 Devices.

3.0 PIN DESCRIPTIONS

The descriptions of the pins are listed in [Table 3-1](#) and [Table 3-2](#).

TABLE 3-1: PAC195X-1 PIN FUNCTION TABLE

VQFN	WLCSP	Symbol	Pin Type	Description
1	C3	SLOW/ALERT1	Digital I/O Pin	Default: SLOW Input pin. When high, all channels sample at 8 SPS. The pin may be programmed to function as the ALERT1 pin or GPIO (open-drain).
2	A4	V _{DD}	Power for IC	Positive power supply voltage.
3	B4	GND	Ground Pin	Ground for the IC.
4	C4	SCL	SMBus Clock Input	Clock Input pin.
5	D4	SDA	SMBus Data I/O	Open-drain requires a pull-up resistor to Host V _{DD} .
6	C2	ADDRSEL	Analog I/O Pin	Address selection for the SMBus client address.
7	C1 ⁽²⁾	SENSE3- ⁽¹⁾	Analog Input Pin	0-FSR, connect to the load side of the sense resistor.
8	D1 ⁽²⁾	SENSE3+ ⁽¹⁾	Analog Input Pin	0-FSR, connect to the supply side of the sense resistor.
9	D2 ⁽²⁾	SENSE4- ⁽¹⁾	Analog Input Pin	0-FSR, connect to the load side of the sense resistor.
10	D3 ⁽²⁾	SENSE4+ ⁽¹⁾	Analog Input Pin	0-FSR, connect to the supply side of the sense resistor.
11	A3	SENSE1+	Analog Input Pin	0-FSR, connect to the supply side of the sense resistor.
12	A2	SENSE1-	Analog Input Pin	0-FSR, connect to the load side of the sense resistor.
13	A1 ⁽²⁾	SENSE2+ ⁽¹⁾	Analog Input Pin	0-FSR, connect to the supply side of the sense resistor.
14	B1 ⁽²⁾	SENSE2- ⁽¹⁾	Analog Input Pin	0-FSR, connect to the load side of the sense resistor.
15	B2	GPIO/ALERT2	Digital I/O Pin	Default: GPIO, Input mode. May be programmed to be the ALERT2 pin indicator (open-drain) or GPIO (open-drain).
16	B3	PWRDN	Digital Input Pin	Active-low puts the device in a Power-Down state (all circuitry is powered down, including SMBus).
17	—	EP	N/C	The Exposed Pad is not electrically connected.

- Note 1:** VQFN Package: for PAC1951-1, pins 7, 8, 9, 10, 13 and 14 are not connected inside and must be grounded. For PAC1952-1, pins 7, 8, 9 and 10 are not connected inside and must be grounded. For PAC1953-1, pins 9 and 10 are not connected inside and must be grounded.
- 2:** WLCSP Package: for PAC1951-1, pins A1, B1, C1, D1, D2 and D3 are inactive and must be grounded. For PAC1952-1, pins C1, D1, D2, D3 are inactive and must be grounded. For PAC1953-1, pins D2 and D3 are inactive and must be grounded.
- 3:** Analog Input pins: for any unused channels, connect the SENSE+ and SENSE- pins to ground. Voltage may be applied to the analog input pins before or after V_{DD} is applied to the device.
- 4:** For the analog input pins, the safe operating voltage range is up to 32V.

PAC195X

TABLE 3-2: PAC195X-2 PIN FUNCTION TABLE

VQFN	WLCSP	Symbol	Pin Type	Description
1	C3	SLOW/ALERT1	Digital I/O Pin	Default: SLOW input pin. When high, all channels sample at 8 SPS. The pin may be programmed to function as the ALERT1 pin or GPIO (open-drain).
2	A4	V _{DD}	Power for IC	Positive power supply voltage.
3	B4	GND	Ground Pin	Ground for the IC.
4	C4	SCL	SMBus Clock Input	Clock Input pin requires a pull-up resistor V _{DD} voltage for the digital controller.
5	D4	SDA	SMBus Data I/O	Open-drain requires a pull-up resistor V _{DD} voltage for the digital controller.
6	C2	ADDRSEL	Analog I/O Pin	Address selection for the SMBus client address.
7	C1 ⁽²⁾	V _{BUS2-} ⁽¹⁾	Analog Input Pin	0-FSR, connect to the ground sense point for V _{BUS2} .
8	D1 ⁽²⁾	V _{BUS2+} ⁽¹⁾	Analog Input Pin	0-FSR, connect to V _{BUS2+} .
9	D2 ⁽²⁾	SENSE2- ⁽¹⁾	Analog Input Pin	0-FSR, connect to the low side of the sense resistor.
10	D3 ⁽²⁾	SENSE2+ ⁽¹⁾	Analog Input Pin	0-FSR, connect to the low side of the sense resistor.
11	A3	SENSE1+	Analog Input Pin	0-FSR, connect to the low side of the sense resistor.
12	A2	SENSE1-	Analog Input Pin	0-FSR, connect to the low side of the sense resistor.
13	A1	V _{BUS1+}	Analog Input Pin	0-FSR, connect to V _{BUS1+} .
14	B1	V _{BUS1-}	Analog Input Pin	0-FSR, connect to the ground sense point for V _{BUS1} .
15	B2	GPIO/ALERT2	Digital I/O Pin	Default: GPIO, Input mode. May be programmed to be the ALERT2 pin indicator (open-drain) or the GPIO function (open-drain).
16	B3	PWRDN	Digital Input Pin	Active-low puts the device in a Power-Down state (all circuitry is powered down, including SMBus).
17	—	EP	N/C	The Exposed Pad is not electrically connected.

- Note 1:** VQFN Package: for PAC1951-2, pins 7, 8, 9 and 10 are not connected inside and must be grounded.
- 2:** WLCSP: for PAC1952-2, pins C1, D1, D2 and D3 are inactive and must be grounded
- 3:** Analog Input pins: for any unused channels, connect the SENSE+ and SENSE- pins to ground. Voltage may be applied to the analog input pins before or after V_{DD} is applied to the device. For the PAC195X-2 devices, the SENSE+ and SENSE- pins have a Common-mode range from 0V to 32V.
- 4:** For the analog input pins, the safe operating voltage range is up to 32V.

3.1 SENSE[N]+/- (N = 1, 2, 3, 4)

These two pins form the differential input for measuring voltage across a sense resistor in the application. The positive input (SENSE[N]+) also acts as the input pin for bus voltage.

3.2 Ground (GND)

System ground.

3.3 SMBus Data (SM_DATA)

This is the bidirectional SMBus data pin. This pin is open-drain and requires a pull-up resistor to V_{DD}.

3.4 SMBus Clock (SM_CLK)

This is the SMBus clock input pin and requires an external pull-up resistor, except if used in High-Speed mode, which requires a CMOS driver from the host.

3.5 Positive Power Supply Voltage (V_{DD})

Power supply input pin for the device. 2.7V-5.5V range, bypass with 100 nF ceramic capacitor to ground near the IC.

3.6 Address Selection (ADDRSEL)

Connect a resistor from this pin to ground to select the SMBus address.

3.7 Enable Pin ($\overline{\text{PWRDN}}$)

Power-down input pin for the device, active-low.

3.8 SLOW/ $\overline{\text{ALERT1}}$

In default mode, if this pin is forced high, the sampling rate is forced to 8 SPS. When it is forced low, the sampling rate is 1024 SPS, unless a different sample rate has been programmed. This pin may be programmed to act as the $\overline{\text{ALERT1}}$ pin. In ALERT mode, the pin needs a pull-up resistor to V_{DD} . In GPIO mode, the default is an input but it can be configured as an output (open-drain).

3.9 GPIO/ $\overline{\text{ALERT2}}$

In default mode, this pin is a GPIO input pin. It can be configured to be an output pin, as well as the ALERT2 function. This pin is an open-drain configuration and needs a pull-up resistor to V_{DD} .

3.10 Exposed Thermal Pad Pin (EP)

The Exposed Pad is not electrically connected. It is recommended that you connect it to ground.

PAC195X

NOTES:

4.0 GENERAL DESCRIPTION

The PAC195X is an up to four-channel, bidirectional, high-side/low-side current-sensing device with precision voltage measurement capabilities, DSP for power calculation and a power accumulator. PAC1951, PAC1952 and PAC1953 are one, two and three-channel versions of the PAC1954. These devices measure the voltage developed across an external sense resistor (V_{SENSE}) to represent the current of a battery or voltage regulator.

The PAC195X also measures the SENSE+ pin voltages (V_{BUS}). Both V_{BUS} and V_{SENSE} are converted to digital results by a 16-bit ADC and the digital results are multiplied to give V_{POWER} . The V_{POWER} results are accumulated on-chip, which enables energy measurement over the accumulation period.

The PAC195X has an I²C/SMBus interface for digital control and reading results. A system diagram is shown in Figure 4-1.

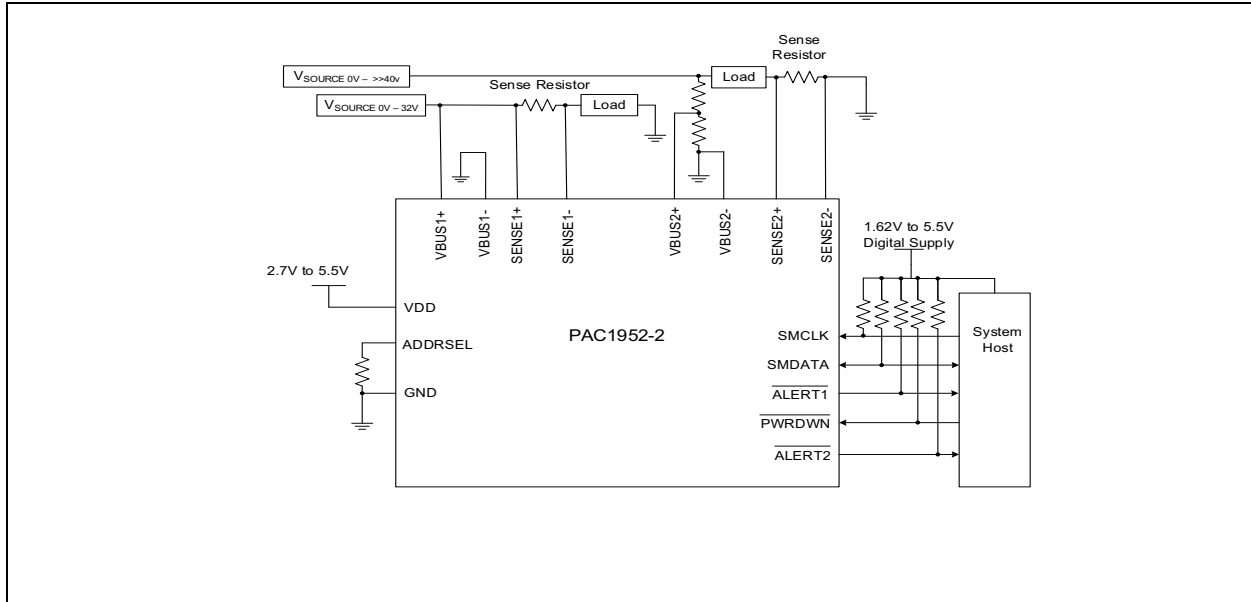
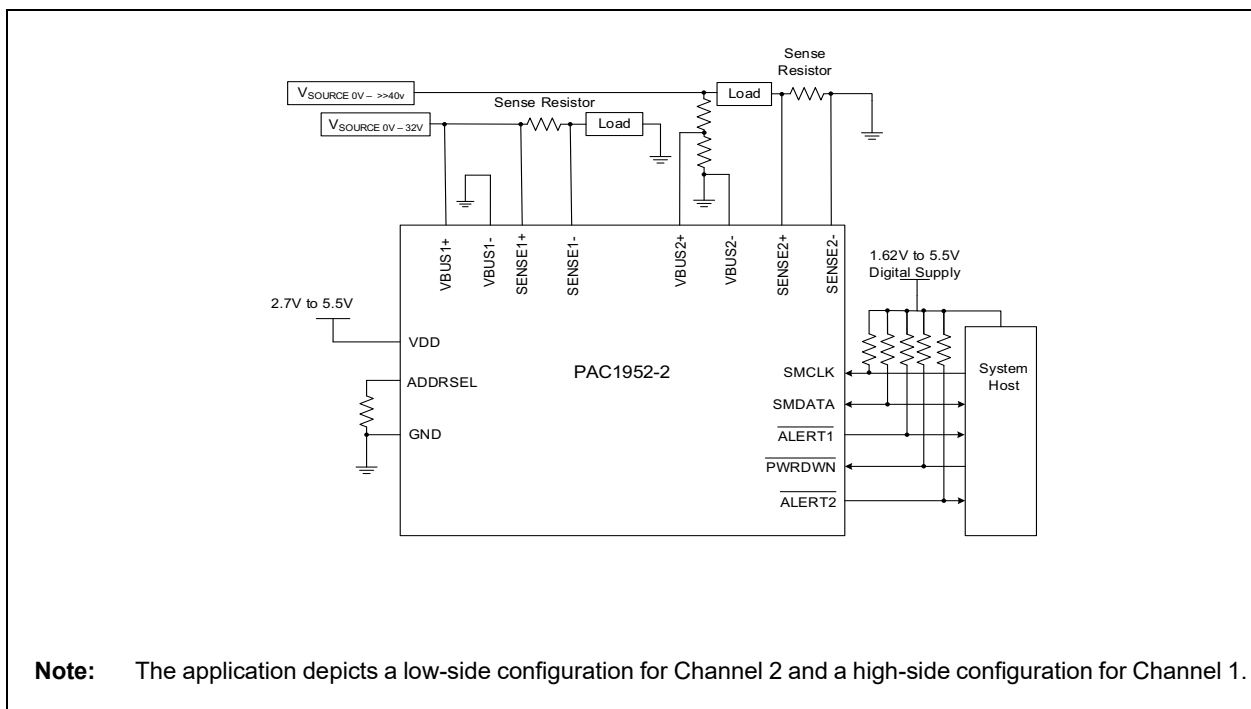


FIGURE 4-1: PAC195X-1 Typical Application Diagram.



Note: The application depicts a low-side configuration for Channel 2 and a high-side configuration for Channel 1.

FIGURE 4-2: PAC195X-2 Low-Side Typical Application Diagram.

PAC195X

4.1 Layout Considerations

It is important to optimize the layout of the R_{SENSE} to ensure the most accurate measurements. When R_{SENSE} values are very low, resistor connections and solder joint variation can play a large role in the accuracy of the system. Figure 4-3 shows the recommended PCB pattern for a sense resistor (highlighted in red) with wide metal trace for the high-current path. The drawing shows metal, solder paste openings and the resistor outline. V_{SOURCE} connects to the +terminal of the high-current path and the load connects to the -terminal of the high-current path. SENSE+ and SENSE- have a Kelvin connection to the current sense resistor to ensure that no metal with high current is included in the V_{SENSE} measurement path. SENSE+ and SENSE- must be routed as a differential pair to the SENSE inputs at the chip. The input pins allow for a typical V_{SENSE} trace resistance of $1\text{ k}\Omega$, which allows the routing flexibility far from the chip itself on the board.

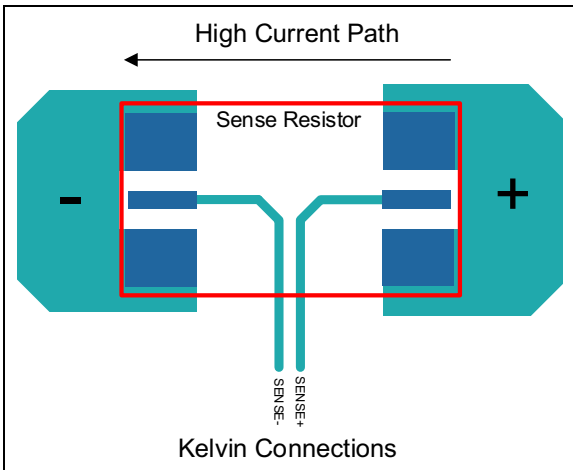


FIGURE 4-3: PCB Pattern for Sense Resistor.

5.0 DEVICE OVERVIEW

A high-voltage multiplexer connects the input pins to the V_{BUS} and V_{SENSE} amplifiers. The amplifier outputs are sampled simultaneously for each channel, converted by 16-bit ADCs and processed for gain and offset error correction. After each conversion, V_{BUS} and V_{SENSE} are multiplied together to give V_{POWER} .

An internal oscillator and digital control signals control the two ADCs and the MUX. The MUX sequentially connects each channel's amplifiers to the ADC inputs.

The PAC1951-1, PAC1952-1, PAC1953-1 and PAC1954-1 devices share a pin for the V_{BUS} measurement and the source-side voltage V_{SENSE+} across an external current sense resistor, R_{SENSE} . This enables four input channels with eight pins. For PAC1951-2 and PAC1952-2, the chip allows V_{BUS+} and V_{BUS-} to go to separate pins for two channels, unconnected from the V_{SENSE+} and V_{SENSE-} pins. This enables the low-side current measurement.

5.1 Initial Operation

After Power-on Reset and a start-up sequence, the device is in the Active state and begins sampling the inputs sequentially. Voltage and current are sampled for all active channels and power is calculated and accumulated. All active channels are sampled at 1024 SPS by default. Sample rates of 256, 64 or 8 SPS may be programmed over the I²C or SMBus. If the SLOW pin is asserted, the sample rate is 8 SPS. For sampling rates lower than 1024 SPS, the device is in Sleep mode for a portion of the conversion cycle, which results in lower power dissipation. If fewer than four channels are active, power is also reduced.

To read accumulator data and reset the accumulators, the REFRESH command is used. To read the voltage, current, power and accumulator data without resetting the accumulators, the REFRESH_V command is used. Changes to the Control register (01h) are activated by sending any REFRESH command. When a new value is written to the Control register (01h), the new values take effect after the current round robin cycle (actively sampling) or before the next round robin sampling cycle following any REFRESH command.

5.2 REFRESH Command

The host sends the REFRESH command after changing the Control register and/or before reading accumulator data from the device. The host controls the accumulation period in this manner.

The readable registers for the V_{BUS} , V_{SENSE} , Power, accumulator outputs and accumulator count are updated by the REFRESH command and the values are static until the next REFRESH command.

These readable registers will be stable within 1 ms from sending the REFRESH command and may be read by the host at any time up until the next REFRESH command is sent.

Note: In Burst/Fast modes with one or more channels disabled, the 1 ms REFRESH delay will be 200 μ s per channel, with an additional 200 μ s delay in Fast mode for the calibration channel. The internal accumulator values and accumulator count are reset by the REFRESH command, but the sampling of the inputs, data conversion and power integration are not interrupted and continue as determined by the settings in the Control register.

Changes written to the Control and Configuration registers take effect within 1 ms after a REFRESH command is sent. Any new commands written within this 1 ms window will be ignored and NACKed to indicate that they are ignored.

The values for V_{BUS} and V_{SENSE} measurement results and Power calculation results respond to the REFRESH command in the same fashion as the accumulators and accumulator count. The readable registers will be stable within 1 ms from sending the REFRESH command and may be read by the host at any time. The internal values continue to be updated according to the sampling plan determined by the settings in the Control register. The results that are sent to the readable registers for V_{BUS} , V_{SENSE} and Power are the values from the most recent complete conversion cycle. See [Register 7-1](#).

5.3 REFRESH_G Command

The REFRESH_G command is identical in every respect to the REFRESH command, but it is used with the I²C General Call address (0000 000). This allows the system to issue a REFRESH command to all of the PAC195X devices in the system with a single command. After the REFRESH_G command, the data may be read device by device to capture a snapshot of the system power and energy for all devices (see [Register 7-12](#)). Note that the REFRESH_G command can also be used with a valid client address, but in this case, only the device with this client address will receive the command. In other words, it has the same properties as the REFRESH command with the possibility of being compatible with the I²C General Call address.

5.4 REFRESH_V Command

If the user wants to read V_{SENSE} and V_{BUS} results, the most recent Power calculation and/or the accumulator values and count without resetting the accumulators, the REFRESH_V command may be sent. Sending the REFRESH_V command and waiting 1 ms ensure that the V_{SENSE} , V_{BUS} , Power, accumulator and accumulator count values will be stable when read by the host.

Note: In Burst/Fast modes with one more channels disabled, the 1 ms REFRESH delay will be 200 μ s per channel, with an additional 200 μ s delay in Fast mode for the calibration channel. The internal accumulator values and accumulator count are reset by the REFRESH command, but the sampling of the inputs, data conversion and power integration are not interrupted and continue as determined by the settings in the Control register.

The sampling of the inputs, data conversion and power integration are not interrupted and will continue as determined by the settings in the Control register. The data in these readable registers will remain stable until the next REFRESH or REFRESH_V/G command. The internal accumulator values and accumulator count are unaffected by the REFRESH_V command.

Note that the REFRESH_V command may also be used to activate changes to the Control register, just like the REFRESH command, except with the REFRESH_V command, changes to the Control register will be enacted without resetting the accumulators or accumulator count (see [Register 7-13](#)).

5.5 Sleep State

The Sleep state is a lower power state than the Active state. While in this state, the device will draw a supply current of I_{SLEEP} from the V_{DD} pin. The device automatically goes to this state between conversion cycles when sampling rates lower than 1,024 SPS are selected or if fewer than four channels are active. All digital states and data are retained in Sleep state. The device can be put in Sleep state by writing to [Register 7-2](#), followed by a REFRESH or REFRESH_V command, and sampling will resume when a sampling mode is selected in this register, followed by a REFRESH or REFRESH_V command. The device does not go into Sleep state based on any other condition such as static conditions on the SMBus pins. If the SMBus time-out is enabled, it is supported in Sleep mode or Active mode.

5.6 Power-Down State

The Power-Down state is entered only by pulling the \overline{PWRDN} pin low. In this state, all circuits on the chip including the SMBus pins are inactive and the device is in a state of minimum power dissipation.

In the Power-Down state, no data are retained in the chip (neither register configuration nor measurement data). When the \overline{PWRDN} pin is pulled high, integration, measurement and accumulation will resume using the default register settings. The first measurement data may be requested by a REFRESH or REFRESH_V command 50 mSec after the \overline{PWRDN} pin is pulled high.

There is a bit called POR in [Register 7-10](#) that is set to '1' on POR. This bit may be used to detect that a POR has occurred as follows:

1. After the initial POR, clear this bit.
2. Poll the register to see if the bit is still cleared.
3. If the bit is set when polled, a POR has occurred and the device needs to be reprogrammed (unless operating it with the default programming for all registers).

5.7 Slow Sampling State and ALERT1

If the $\overline{SLOW/ALERT1}$ pin is pulled high, the device will sample at 8 SPS. No matter the programmed sample rate, this new SLOW sample rate takes effect on the next conversion cycle (if a round robin conversion cycle is in process when the SLOW pin goes high, that conversion cycle will complete before the SLOW sample rate takes effect).

The SLOW pin can function as the $\overline{ALERT1}$ pin instead of the conversion rate control described above. See [Section 5.16, "ALERT Functionality"](#) for a complete discussion on the ALERT functionality, including the $\overline{ALERT2}$ pin. If this ALERT1 functionality for the SLOW pin is enabled, the pin can no longer be used to control the conversion rate. If a pull-up resistor is attached to the $\overline{SLOW/ALERT1}$ pin for ALERT1 functionality, the device will power-up in Slow mode because of being pulled up at power-up. Once the ALERT1 functionality is assigned to the pin (see [Register 7-2](#)), conversion will proceed at the default or programmed rate.

The SLOW pin functionality and the ALERT1 functionality cannot be used at the same time on this pin.

If the SLOW pin is configured to serve as an $\overline{ALERT1}$ pin, the slower sampling rate of 8 SPS is available by programming [Register 7-2](#).

If the device is programmed for Single-Shot mode and the SLOW pin is asserted, the first sampling will begin approximately 1ms after the SLOW pin is asserted to allow for the analog circuitry to power up. If the device is in the Sleep state, asserting the SLOW pin will not cause sampling to start.

Whenever the SLOW pin changes the state, a limited REFRESH or REFRESH_V command may be executed by the chip hardware (default is REFRESH). Like any other REFRESH command, this resets the accumulators and accumulator count for a REFRESH command and updates the readable registers for either REFRESH or REFRESH_V. These are limited REFRESH commands because no programmed changes to the Control or Status registers take effect (Control and Status registers are registers 01h, 1Ch, 1Dh and 20h-26h). The readable registers are stable with the new values within 1 ms of the SLOW pin transition.

The Slow register allows a selection of REFRESH or REFRESH_V commands on the SLOW pin transitions, allows this function to be disabled for either edge and also tracks both the state of the SLOW pin and the transitions on the SLOW pin (see [Register 7-14](#)).

5.8 Voltage Measurement

The V_{BUS} voltage for each channel is measured by the SENSE+ pin for each channel. A high-voltage multiplexer is connected to each SENSE+ pin and the multiplexer sequentially connects each SENSE+ pin to an ADC input for conversion. The result is stored in a 16-bit V_{BUS} results register and the 14 MSBs are multiplied by the V_{SENSE} number for the V_{POWER} results value. The V_{POWER} results are accumulated in the accumulator.

For the PAC195X, the default FSR is 32V. The device may be programmed for bipolar V_{BUS} measurements. In this Bipolar mode, the mathematical range for V_{BUS} numbers is $\pm 32V$, the actual range is limited to about -200 mV due to the impact of the ESD structures. This bipolar capability for V_{BUS} enables accurate offset measurement and correction. For bipolar operation, the 16-bit V_{BUS} result is a two's complement (signed) number.

The measured voltage at SENSE+ can be calculated using [Equation 5-1](#). The FSR value stays the same but the maximum range is divided in half.

EQUATION 5-1: BUS VOLTAGE

$$V_{SOURCE} = 32V \times \frac{V_{BUS}}{Denominator}$$

Where:

- V_{SOURCE} = The measured voltage on the SENSE+ pin
- V_{BUS} = The value read from the V_{BUS} results registers
- $Denominator$ = 2^{16} for unipolar measurements
= 2^{16} for FSR/2 measurements
= 2^{15} for bipolar measurements

5.9 Current Measurement

The PAC195X device family includes high-side current sensing circuits. These circuits measure the voltage (V_{SENSE}) induced across a fixed external current sense resistor (R_{SENSE}) and store the voltage as a 16-bit number in the V_{SENSE} results registers.

The PAC195X current sensing operates with a FSR of 100 mV in Unidirectional mode (default).

When sensing unidirectional currents (the default mode), the ADC results are presented in unsigned binary format. For bidirectional current sensing, the ADC results are in two's complement (signed) format. For bipolar current measurements, the range is ± 100 mV, but use FSR = 100 mV in the equations that follow. For best accuracy on current values near zero, it is recommended to use the bidirectional current mode and 8X average current results.

5.10 Selecting R_{SENSE} Values

R_{SENSE} can easily be calculated if the maximum current sensed is known, as shown in [Equation 5-2](#). Consider the need to select a value for I_{Max} that includes current peaks well beyond your nominal current.

EQUATION 5-2: CALCULATING R_{SENSE}

$$R_{SENSE} = \frac{FSR}{I_{Max}}$$

Where:

- FSR = Full-scale V_{SENSE} voltage input
- R_{SENSE} = External R_{SENSE} resistor value
- I_{Max} = Maximum current to measure

Full-Scale Current (FSC) can be calculated with [Equation 5-3](#).

EQUATION 5-3: FULL-SCALE CURRENT

$$FSC = \frac{100\text{ mV}}{R_{SENSE}}$$

Where:

- FSC = Full-Scale Current
- R_{SENSE} = External sense resistor value

The actual current through R_{SENSE} can then be calculated using [Equation 5-4](#).

PAC195X

EQUATION 5-4: SENSE CURRENT

$$I_{SENSE} = FSC \times \frac{V_{SENSE}}{Denominator}$$

Where:

I_{SENSE}	=	Actual bus current
FSC	=	Full-Scale Current value (from Equation 5-3)
V_{SENSE}	=	The value read from the V_{SENSE} results registers
$Denominator$	=	2^{16} for unipolar measurements
	=	2^{16} for FSR/2 measurements
	=	2^{15} for bipolar measurements

5.11 FSR/2 RANGES

The PAC195X has a new mode called FSR/2. In this mode, the FSR may be reduced by a factor of two for V_{SENSE} and/or V_{BUS} . This mode is programmable on a channel by channel basis, for V_{SENSE} and/or V_{BUS} for each channel. Because of the way the ADC's 17-bit bipolar results are manipulated, in Bipolar/Bidirectional modes, the 16-bit resolution is maintained in FSR/2 and the graphs provided are valid for this mode.

The modes can be enabled for V_{SENSE} and/or V_{BUS} by setting bits in [Register 7-19](#).

TABLE 5-1: FSR/2 RANGES – V_{BUS}

V_{BUS} Range	PAC195X, FSR = 32V, FSR/2 = 16V	Denominator for Equation 5-1
Unipolar 0-FSR	0.48 mV/LSB	2^{16}
Bipolar +/-FSR	0.976 mV/LSB	2^{15}
Bipolar +/- FSR/2	0.48 mV/LSB	2^{16}

TABLE 5-2: FSR/2 RANGES – V_{SENSE}

V_{SENSE} Range	PAC195X, FSR = 100 mV, FSR/2 = 50 mV	Denominator for Equation 5-4
Unipolar 0-FSR	1.5 μ V/LSB	2^{16}
Bipolar +/-FSR	3.05 μ V/LSB	2^{15}
Bipolar +/- FSR/2	1.5 μ V/LSB	2^{16}

5.12 ADC Measurements, Offset and 8X Averaging

The PAC195X devices are primarily designed for energy measurements where many power readings are accumulated. This is inherently an averaging process. Individual voltage and current measurements can also benefit from averaging to reduce noise and offset. Averaged values are internally calculated for V_{BUS} and V_{SENSE} , with a rolling average of the most recent eight values present in [Register 7-7](#) and [Register 7-8](#). The average is updated internally after every conversion cycle. The readable registers are updated with REFRESH, REFRESH_V or REFRESH_G commands like all the other readable results registers. These averaged results may be used for the most accurate, lowest noise and lowest offset measurements.

The ADC channels use a special offset canceling technique. If users observe the unaveraged results for near-zero values of V_{BUS} and V_{SENSE} , they may observe a cyclical pattern of offset variation. The user may think this is noise, but in fact it is due to internal circuitry switching through different permutations of offset cancellation circuitry. This small variation in unaveraged offset is canceled in the 8X averaged result and minimized in single-sample results via the offset calibration channel. It is also canceled in the Power Accumulator results. The overall effect is offset that is consistently very close to zero LSB over supply and temperature variations.

The offset canceling technique is illustrated in [Figure 5-1](#). It is very difficult to accurately observe, as it is a challenge to read the data from every conversion cycle. The effect of capturing data points at a rate that does not correspond exactly to the internal sampling rate of the PAC195X can make these permutations appear less periodic and deterministic than they are inside the chip. The data conversion uses one of the permute positions 1-4 for each input on each conversion, cycling through all four permutations in four conversions. When averaged, the permute enabled result shown below is realized, evenly distributed around zero.

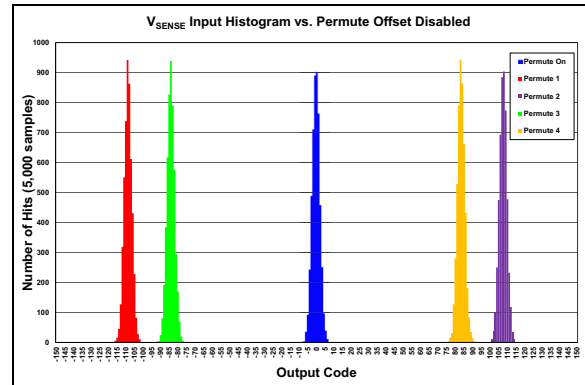


FIGURE 5-1: Illustration of the Four Permute Combinations that the ADC Cycles through and the Resulting Low Average Offset. Each Bin Represents One Code.

Results from both the V_{BUS} and the V_{SENSE} ADCs are 17-bit two's complement (signed) internally. There is an additional bit of resolution that is not accessible from the results register. [Register 7-11](#) determines whether the conversion results are reported in the readable registers as unipolar or bipolar numbers. Using bipolar numbers can give more accurate results for very small numbers that may actually be negative for some readings, in addition to measuring bidirectional currents (charging/discharging) and voltages that can dip below ground.

Averaged values are also calculated for V_{BUS} and V_{SENSE} . A rolling average of the most recent eight values is present in [Register 7-7](#) and [Register 7-8](#). These registers require eight conversion cycles after POR before they represent an accurate value, they are updated after every conversion cycle. The readable registers are updated with REFRESH, REFRESH_V or REFRESH_G commands like all the other readable results registers.

PAC195X

5.13 Power and Energy

The PAC195X has a 56-bit accumulator and a 32-bit accumulator counter:

- 56 bits for accumulator
- 32 bits for accumulator count
- 30 bits for the power realized by multiplication of the 17-bit current number and a 14-bit voltage number

The FSR for power depends on the external sense resistor used, as shown in [Equation 5-5](#).

EQUATION 5-5: POWER FSR CALCULATION

$$PowerFSR = (100\text{ mV}/R_{SENSE}\Omega) \times 32V$$

$$PowerFSR = (3.2V^2)/R_{SENSE}\Omega$$

Where:

- $R_{SENSE}\Omega$ = External R_{SENSE} resistor value
- 100 mV = Full-scale V_{SENSE} voltage input
- 32V = Full-scale V_{BUS} voltage input

The device implements power measurements by multiplying V_{BUS} and V_{SENSE} to give a V_{POWER} result. V_{POWER} values are used to calculate the proportional power, as shown in [Equation 5-6](#). The proportional power is the fractional portion of the FSR power measured in one sample.

EQUATION 5-6: PROPORTIONAL POWER CALCULATION

$$P_{PROP} = \frac{V_{POWER}}{Denominator}$$

Where:

- $Denominator$ = 2^{30} (Unipolar mode)
- = 2^{30} (FSR/2 mode)
- = 2^{29} (Bipolar mode)

To calculate the actual power from the proportional power, multiply by the FSR power, as shown in [Equation 5-7](#). This actual power number is the power measured in one sample.

EQUATION 5-7: POWER CALCULATION

$$P_{ACTUAL} = PowerFSR \times P_{PROP}$$

These V_{POWER} results are digitally accumulated on chip and stored in the V_{ACCN} registers.

The energy calculation in [Equation 5-8](#) and [5-9](#) uses a different denominator term depending on the Unipolar or Bipolar mode. Bipolar mode for energy applies when the Bipolar/Bidirectional mode is used for V_{BUS} and/or V_{SENSE} . [Equation 5-8](#) shows how to realize this using the accumulator results, accumulator count and the accumulation period, T. In this equation, T must be known from a system clock time stamp or other accurate indicator of the total accumulation period.

EQUATION 5-8: ENERGY CALCULATION

$$Energy = \frac{V_{ACCN}}{Denominator} \times (PwrFSR) \times \frac{T}{AccCount}$$

Where:

- $Denominator$ = 2^{30} (Unipolar mode)
- = 2^{30} (FSR/2 mode)
- = 2^{29} (Bipolar mode)

EQUATION 5-9: ENERGY CALCULATION

$$Energy = \frac{V_{ACCN}}{Denominator} \times \frac{(PwrFSR)}{f_s}$$

Where:

- $Denominator$ = 2^{30} (Unipolar mode)
- = 2^{30} (FSR/2 mode)
- = 2^{29} (Bipolar mode)

[Equation 5-9](#) shows how to calculate energy using the accumulated power and the sampling rate, f_s .

5.13.1 ADAPTIVE ACCUMULATOR

The PAC195X has a feature called Adaptive Accumulator mode. In this mode, sampling is programmed at one of the valid sample rates and samples are accumulated. If the SLOW pin is asserted and the device begins sampling at 8 SPS, these samples are shifted by 7 bits to the left and accumulated so as to simulate sampling at the maximum sampling rate, 1024 SPS, and the accumulator count is also incremented by 128 for each sample in Slow mode (when using the Adaptive Accumulator mode) to simulate samples being accumulated at the maximum sampling rate.

This offers a big reduction in host overhead and bus traffic for systems that need to use the SLOW pin for lower power operation during certain times and want to have continuous accurate energy monitoring for both the maximum sampling rate and the SLOW sampling rate.

As shown in [Equation 5-8](#) and [Equation 5-9](#), it is necessary to know the sampling frequency and sampling period for each interval that we want to accumulate energy over. If the SLOW pin is used and the period changes, the accumulator value and count must be fetched and calculated each time the sampling rate changes. With the adaptive accumulator, the data only need to be fetched before the accumulator and/or accumulator count overflow and an accurate energy calculation can be made, independent of how many times the SLOW pin was asserted and deasserted during the period. The sample rate for these calculations is the programmed sample rate.

Because the Adaptive Accumulator mode is the default mode, the feature of an internal REFRESH being generated on assertion/deassertion of the SLOW pin is defaulted to inactive. The user must manually program a REFRESH on SLOW pin transition, if desired, using [Register 7-14](#).

By programming one of the adaptive accumulator sampling rates in [Register 7-2](#) other than 1024 SPS, the accumulator and accumulator count will shift the data and count to mimic accumulation at 1024 SPS.

5.13.2 ADDITIONAL ACCUMULATOR INFORMATION

The math for the power calculation and accumulation inside the chip is always done in two's complement math, no matter what the user sets the output registers to show. V_{BUS} and V_{SENSE} are 17-bit two's complement (signed) numbers internally. V_{POWER} is the product of V_{SENSE} multiplied by the 14 MSBs of V_{BUS} and this is a 30-bit two's complement result (signed) internally. In some cases, this results in a power result that is not identical to the product of the V_{BUS} results register multiplied by the V_{SENSE} register. However, the power result from the V_{POWER} results register is more accurate than the product of the V_{BUS} register multiplied by the V_{SENSE} register in these cases, as explained below.

If V_{SENSE} and V_{BUS} are both programmed to be unsigned (unipolar) in register [Register 7-11](#), 16 bits without sign are exported to the V_{BUS} and V_{SENSE} results registers.

If V_{BUS} is programmed to be signed (bipolar) in [Register 7-11](#), the corresponding data are truncated to 16-bit two's complement (signed) for the readable results register.

If V_{SENSE} is programmed to be signed (bidirectional) in register [Register 7-11](#), the corresponding V_{SENSE} register value is truncated to 16-bit two's complement, but the power calculation uses 17-bit two's complement. Therefore, a mismatch is possible between an externally calculated power value (V_{BUS} times V_{SENSE}) and the actual power value calculated internally to the chip.

The internally calculated (and accumulated) value is more accurate than the externally calculated value in every case.

This is also true for FSR/2 modes, in that the FSR/2 mode uses bit shifting to change the FSR so no accuracy is lost in the power calculation (similar to Unipolar mode).

The continuous power integration periods (also called energy accumulation periods) can range from ~1 ms to many hours, depending on the number of samples per second selected via SMBus. The number of samples is limited by the size of the Accumulator Count register to 4,294,967,296 (2^{32}). This count corresponds to about 1165 hours at 1024 SPS or about 17 years at 8 SPS. This accumulator count can overflow and it will not reset when it overflows.

When the accumulation registers reach their maximum value, this is called accumulator overflow. The accumulator outputs remain at their maximum value; they do not rollover. The user can calculate the worst-case time to saturation and read them at or before that time or use the accumulator fullness limits to detect when the accumulators and/or accumulator count are 15/16, 7/8, 3/4 or completely full and read and/or reset them at that time (see [Register 7-23](#)).

Worst-case accumulator overflow time can be calculated assuming that every measurement that is accumulated is a full-scale number. Since the power numbers are 30 bits and the accumulator is 56 bits, 2^{26} samples can be accumulated before overflow, if they are all full-scale values. For most applications, they will not all be full-scale numbers; this is especially true if V_{BUS} is nominally less than the maximum V_{BUS} for the device. If the maximum V_{BUS} for the system is always lower than FSR for V_{BUS} , the maximum number of full-scale samples that can be accumulated is scaled by FSR/V_{BUS} maximum for the system. If both V_{BUS} and V_{SENSE} values are always near full scale, this can limit the accumulation period before overflow to 1092 minutes at 1024 SPS or 2330 hours at 8 SPS. If sample values are well below full scale, the user can calculate how many samples can be accumulated before the accumulator will overflow. As described above, the accumulator count will likely not limit the number of samples that can be accumulated and counted.

5.13.3 ALTERNATIVE USES FOR THE ACCUMULATOR

For the PAC195X, the accumulator may be used to accumulate V_{SENSE} or V_{BUS} values instead of V_{POWER} values for any channel. This functionality is invoked by setting bits in [Register 7-19](#).

Setting the accumulator for a channel to accumulate V_{SENSE} values gives a measure of accumulated current, which is equivalent to charge. This allows the accumulator to be used as a coulomb counter.

For either V_{SENSE} or V_{BUS} , many samples may be accumulated on chip and the result collected by the host and divided by the accumulator counter count value to yield an average value with a very long integration time to reduce noise. This feature is also very useful for system calibration, allowing many averages to be accumulated for fast averaging/noise reduction. Calibration time can be further reduced by combining this with the Fast mode.

5.14 Conversion Cycles

A conversion cycle for the device consists of the analog-to-digital conversion being complete for all channels (including the real-time calibration that is part of each conversion cycle). Immediately following the data conversion, the power results are calculated for that channel and the power value is added to the accumulator. Averaged values for V_{SENSE} and V_{BUS} are also updated internally as part of each conversion cycle.

Data conversion and processing are performed for each active channel in sequential fashion until all active channels are converted, completing the conversion cycle for the device. The sequential sampling of each channel, along with the calculation time and any sleep time needed to set the overall sampling rate, is referred to as a round robin sampling period.

5.15 Conversion Cycle Controls

5.15.1 REDUCING THE NUMBER OF CHANNELS TO BE SAMPLED

[Register 7-2](#) allows the user to reduce the number of channels that are active. The sample rate is unaffected, but power dissipation is reduced if some channels are disabled. Any or all channels may be disabled; if all channels are disabled, the device goes into Sleep mode.

5.15.2 BURST MODE

For the PAC195X, Burst mode is added for faster sampling. In this mode, the round robin sequencer enables each active channel sequentially and restarts the round robin sequence again without sleeping in between as it normally does. The fifth channel that is used for offset canceling is not sampled in this mode, the previous value for offset canceling is repeatedly used, so sampling will not be as accurate if this mode is used for long periods of time, especially if temperature changes, although the 8X average accuracy will not be significantly affected.

The effective sampling mode changes with the number of active channels, as shown in [Table 5-3](#). The Burst mode is enabled by setting a bit in [Register 7-2](#).

TABLE 5-3: BURST MODE ENABLED

Active Channels	Sampling Frequency
1	$1024 \cdot 5/1 = 5120$ SPS
2	$1024 \cdot 5/2 = 2560$ SPS
3	$1024 \cdot 5/3 = 1706$ SPS
4	$1024 \cdot 5/4 = 1280$ SPS

5.15.3 FAST MODE

Fast mode is also a mode for faster sampling. It is similar to Burst mode, only in Fast Mode, the fifth channel is converted and used for continuous offset correction.

The effective sampling mode changes with the number of active channels, as shown in [Table 5-4](#). The Burst mode is enabled by setting a bit in [Register 7-2](#).

TABLE 5-4: FAST MODE ENABLED

Active Channels	Sampling Frequency
1	$1024 \cdot 5/2 = 2560$ SPS
2	$1024 \cdot 5/3 = 1706.6$ SPS
3	$1024 \cdot 5/4 = 1280$ SPS
4	$1024 \cdot 5/5 = 1024$ SPS

5.15.4 SINGLE-SHOT MODE

The Control register also allows the device to operate in Single-Shot mode. In this mode, all active channels will sample and convert, followed by results being calculated. The accumulator and accumulator count operate the same as for Continuous Conversion mode, accumulating each single-shot power calculation and incrementing the accumulator count. The conversion cycle will start when the REFRESH command (or REFRESH_V/REFRESH_G) is sent.

After the single-shot measurements and calculations are complete, the device goes into Sleep mode. A REFRESH, REFRESH_G or REFRESH_V command may be sent to read the data. The user needs to wait about 2 ms after the REFRESH command before commanding another single-shot conversion, by means of sending one of the REFRESH commands. This is because a 1 ms delay is required between REFRESH commands and coming out of Sleep requires 1 ms (band gap start-up delay). In general, single-shot commands are not this close together in time; instead, one of the lower sampling rates is used.

There is an option to use a single REFRESH command to collect eight samples and average them in Single-Shot 8X mode. This reduces noise and offset in the result (see [Register 7-2](#)). In this mode, all eight samples are added to the accumulator and the accumulator count is incremented by eight each time a REFRESH is sent to trigger an additional Single-Shot 8X acquisition and conversion.

In Single-Shot 8X mode, the 8X averaged result is read from the 8X averaged registers ([Register 7-7](#) and [Register 7-8](#)) and the unaveraged result registers ([Register 7-5](#) and [Register 7-6](#)) hold the last of the 8 samples.

5.16 ALERT Functionality

The ALERT functionality has multiple purposes: to notify the system that a conversion cycle for all active channels is complete, to notify the system that the accumulator or accumulator count has overflowed or that an electrical parameter is outside the programmed limit.

Alerts will cause the $\overline{\text{ALERT}}$ pin to be asserted low and latched low. The only exception to this is for the ALERT after COMPLETE CONVERSION, this will cause a 5 μs pulse of the $\overline{\text{ALERT}}$ pin. Alerts are set at the end of the round robin cycle.

5.16.1 ALERT AFTER COMPLETE CONVERSION

[Register 7-21](#) and [Register 7-22](#) have bits ALERT_CC1 and ALERT_CC2 that can be used to enable the $\overline{\text{ALERT_CC}}$ function. If this bit is set, the assigned $\overline{\text{ALERT}}$ pin goes low for 5 μs after each round robin conversion cycle is complete. This function may be used when you want to read data continuously as soon as each round robin conversion cycle is complete.

Note: When using the device in single-channel Burst mode, the Conversion Complete ALERT will not assert.

This Conversion Complete ALERT does not set a bit in [Register 7-20](#).

5.16.2 $\overline{\text{ALERT}}$ PIN ASSIGNMENTS

The ALERT function may be assigned to either the SLOW/ $\overline{\text{ALERT1}}$ pin or the GPIO/ $\overline{\text{ALERT2}}$ pin. Use [Register 7-21](#) and/or [Register 7-22](#) to assign any of the ALERT functions to these pins.

To configure the SLOW/ $\overline{\text{ALERT}}$ pin to function as $\overline{\text{ALERT}}$, use [Register 7-2](#). Note that the SLOW function of this pin cannot be used once the ALERT function is programmed for this pin.

There is a general ALERT signal on bit 5 of the SMBus Settings (1Ch). This register bit can be monitored over the I²C/SMBus or monitored on the $\overline{\text{ALERT}}$ /SLOW, as mentioned above. This register does not require a Refresh signal to update the values, so it is easy to poll if the user desires.

5.16.3 USING THE $\overline{\text{ALERT}}$ PINS AS I/O PINS

The $\overline{\text{ALERT}}$ pins may also be used as I/O pins. This functionality is enabled in [Register 7-2](#). When used as an I/O pin, there are bits for holding input and output data (read or to be written) in [Register 7-10](#). This register does not need a Refresh to update it, so the input data may be read or the output data changed without affecting anything else.

5.16.4 ALERT FUNCTIONALITY – VOLTAGE, CURRENT AND POWER

The ALERT functionality enables the user to capture voltage and current events that exceed programmable limits, for one or more samples. The ALERT function may be monitored on a digital output pin by configuring one of the ALERT pins to correspond to a specific ALERT or to multiple ALERT signals using [Register 7-21](#) or [Register 7-22](#). The ALERT status may also be monitored over the I²C/SMBus by reading [Register 7-20](#).

The ALERT can be triggered by a variety of triggers; V_{BUS} overvoltage or undervoltage (OV or UV), V_{SENSE} overcurrent or undercurrent (OC or UC), overpower (OP), conversion cycle complete or accumulator/accumulator count hitting a limit for fullness or overflowing.

The OV, UV, OC, UC and/or OP limits must be enabled for any of the channels that will be using them, by setting a bit in [Register 7-34](#). These limits are specified with two's complement values independent of whether Unipolar/Bipolar Or Unidirectional/Bidirectional modes are set for V_{BUS} and V_{SENSE} measurements. Only ALERT conditions that are enabled here are capable of triggering any ALERT.

5.16.5 ALERT THRESHOLD LIMITS

Each channel has programmable 16-bit limits for overcurrent, undercurrent, overvoltage and undervoltage. The overpower limit is a 24-bit number.

The thresholds for these ALERTs are set in [Register 7-24](#), [Register 7-25](#), [Register 7-26](#), [Register 7-27](#) and [Register 7-28](#).

5.16.6 SAMPLES OVER LIMIT TO TRIGGER ALERT

The user can also program how many samples must exceed the threshold to trigger the ALERT pin (over limit samples). The default value for over limit samples is 1 (up to a maximum 16 samples), which means the ALERT will be triggered on the first sample that exceeds the threshold. For OC, OP and OV, exceeding the threshold means a sample that is of larger value than the programmed limit. For UC and UV, exceeding the threshold means a sample that is of smaller value than the programmed limit. The OP limit differs slightly from the other limits in that it is always magnitude based. Thus a more positive value or negative value will trigger an OP alert.

The user can program how many samples over the threshold are required to trigger the ALERT for each of these parameters in [Register 7-28](#), [Register 7-29](#), [Register 7-31](#), [Register 7-32](#) and [Register 7-33](#).

5.16.7 ACCUMULATOR-BASED ALERTS

The ALERT function can also be programmed to trigger when the accumulator or accumulator count for any channel is filled to a specified amount. This amount can be programmed from 15/16 full through 7/8, 3/4 or completely full. This enables the user to maximize the accumulation time instead of simply planning for the worst case. The limits for each channel are specified in [Register 7-23](#).

When the ALERT is tripped, the user can interrogate [Register 7-20](#) to determine which conditional limit, which channel(s) or if the accumulator/accumulator count condition triggered the ALERT. The ALERT condition is cleared when these ALERT cause registers are read, specifically when the register that caused for the specific ALERT cause is read.

[Register 7-20](#) is updated immediately on an ALERT condition, it does not require a REFRESH command.

When the ALERT function is tripped by accumulator overflow, it remains asserted until a REFRESH command is received. REFRESH_G will also clear the ALERT bit and the ALERT function, but REFRESH_V will not.

5.16.8 ALERT CLEARING AND PERSISTENT FAULT CONDITIONS

If the over/undervoltage, over/undercurrent or overpower conditions that tripped the ALERT or accumulator full conditions are still present after the ALERT cause register is read (which clears all the bits in that register and resets the ALERT function), the ALERT function will reassert, if the next converted sample that detects the limit is exceeded.

[Register 7-20](#) is cleared when it is read. If the ALERT condition is still present after the next conversion cycle is complete, the ALERT is reasserted.

6.0 SMBUS AND I²C COMMUNICATIONS PROTOCOL

The PAC195X devices communicate over a two-wire bus with a controller, using a SMBus or I²C serial communication protocol. A detailed timing diagram is shown in Figure 6-1.

Stretching of the SMCLK signal is supported. However, the PAC195X will not stretch the clock signal itself.

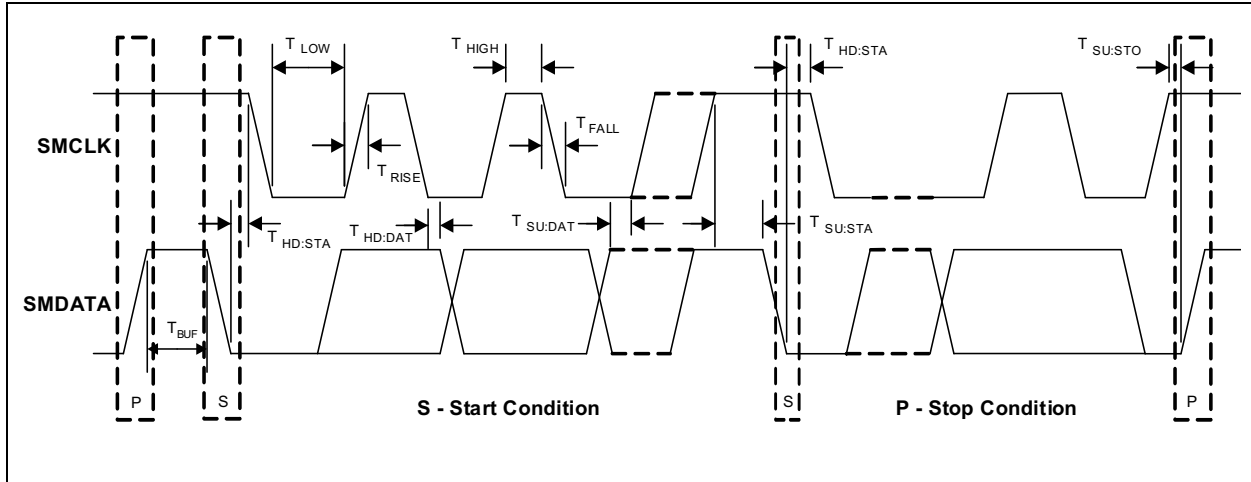


FIGURE 6-1: SMBus Timing Diagram.

6.1 I²C/SMBus Addressing and Control Bits

6.1.1 SMBUS ADDRESS AND RD/ \overline{WR} BIT

The SMBus Address byte consists of the 7-bit client address followed by a 1-bit RD/ \overline{WR} indicator. If this RD/ \overline{WR} bit is a logic '0', the SMBus host writes data to the client device. If this RD/ \overline{WR} bit is a logic '1', the SMBus host reads data from the client device.

The PAC195X I²C/SMBus address is determined by a single pull-down resistor connected between ground and the ADDRSEL pin, as shown in Table 6-1. The chip translates the resistor value into an address on power-up and the value is latched until another power-up event takes place. The address cannot be changed on the fly.

6.1.2 SMBUS START BIT

The SMBus Start bit is defined as a transition of the SMBus data line from a logic '1' state to a logic '0' state, while the SMBus clock line is in a logic '1' state.

6.1.3 SMBUS ACK AND NACK BITS

The SMBus client will ACK (acknowledge) all data bytes that it receives. This is done by the client device pulling the SMBus data line low after the eighth bit of each byte that is transmitted.

6.1.4 SMBUS STOP BIT

The SMBus Stop bit is defined as a transition of the SMBus data line from a logic '0' state to a logic '1' state, while the SMBus clock line is in a logic '1' state. When the PAC195X detects an SMBus Stop bit and it has been communicating with the SMBus protocol, it resets its client interface and prepares to receive further communications.

PAC195X

6.1.5 SMBUS DATA BYTES

All SMBus data bytes are sent MSb first and composed of 8 bits of information.

TABLE 6-1: ADDRESS SELECT RESISTOR

RESISTOR (1%)	SMBus Address
0 (GND)	0010 000 (R/W)
499	0010 001 (R/W)
806	0010 010 (R/W)
1,270	0010 011 (R/W)
2,050	0010 100 (R/W)
3,240	0010 101 (R/W)
5,230	0010 110 (R/W)
8,450	0010 111 (R/W)
13,300	0011 000 (R/W)
21,500	0011 001 (R/W)
34,000	0011 010 (R/W)
54,900	0011 011 (R/W)
88,700	0011 100 (R/W)
140,000	0011 101 (R/W)
226,000	0011 110 (R/W)
Tie to V _{DD}	0011 111 (R/W)

6.2 SMBus Time-out

The PAC195X devices can support the SMBus time-out functionality. This functionality is disabled by default and can be enabled by writing to the TIMEOUT bit (see [Register 7-10](#)).

If time-out is enabled and the clock is held at logic '0' for 25 ms-35 ms, the device will time-out and reset the SMBus interface. Communication is restored with a Start condition.

6.3 SMBus and I²C Compatibility

The PAC195X devices are compatible with the SMBus 3.1 1 MHz class and the I²C Fast mode Plus. The major differences between SMBus and I²C devices are highlighted below (for more information, refer to the SMBus 3.1 and I²C specifications):

1. The minimum frequency for SMBus communications is 10 kHz, if the time-out function is enabled. If the time-out function is disabled (default condition), there is no minimum frequency for SMBus communications.
2. I²C does not have a time-out, this is the default condition. The SMBus client protocol will reset if the clock is held at a logic '0' for t_{TIMEOUT}, if SMBus time-out is enabled in [Register 7-10](#).
3. I²C devices do not support the Alert Response Address functionality (which is optional for SMBus). The PAC195X does not support the Alert Response Address functionality. Instead, the ALERT pin, when configured for ALERT, is an open-drain output pin that may be monitored by the host or embedded controller.
4. I²C devices support Block Read and Block Write differently. The I²C protocol allows for an unlimited number of bytes to be sent in either direction. The SMBus protocol for Block Read and Block Write requires that an additional data byte indicating the number of bytes to read/write is transmitted. The PAC195X devices support the I²C protocol for Block Read by default (no byte count information is sent). If the Byte Count bit is set (see [Register 7-10](#)), the Byte Count will be sent as the first data byte in response to the Block Read command, per SMBus protocol.
5. SMBus uses fixed logic thresholds for logical high and low signals. I²C uses levels that are proportional to V_{DD}. PAC195X uses fixed logic levels of 0.8V and 1.35V, as specified by SMBus.

6.4 I²C/SMBus Protocols

The PAC195X supports Write Byte, Block Write, Read Byte, Block Read, Send Byte and Receive Byte as valid protocols.

It does not respond to the Alert Response Address protocol. It responds to the I²C General Call Address.

All the protocol charts listed below use the convention in [Table 6-2](#).

TABLE 6-2: PROTOCOL FORMAT

Data Sent to Device	Data Sent to the Host
# of bits sent	# of bits sent

6.5 Auto-Incrementing Pointer

The PAC195X has an auto-incrementing address pointer. The pointer has two loops for auto-incrementing, a read loop and a write loop.

The read loop includes all the readable registers, all the configuration and control registers, the results registers, Product ID, Manufacturer ID and Revision ID registers.

The write loop includes only the writable control and configuration registers.

Neither loop includes the REFRESH commands.

The read loop skips the inactive channels, if some channels are disabled. This automatic channel skipping feature can be disabled by setting the NO SKIP bit in [Register 7-10](#).

There are two cases to consider when a channel is disabled and a read is performed on it:

- the SKIP function is OFF, the register address will be ACKed and the data returned are FFh, followed by a NACK.
- the SKIP function is ON, the register address will be NACKed and the data returned are FFh, followed by a NACK.

In the first case, the channel address is still part of the register map and is still a valid address, thus the I²C/SMBus ACK the address. In the second case, the channel address is removed from the register map and becomes an invalid address, thus the I²C/SMBus NACK the address. In both cases, the value returned is FFh, because the channel is disabled (invalid) and the I²C/SMBus NACK the data. See [Figure 6-2](#) for a graphic representation.

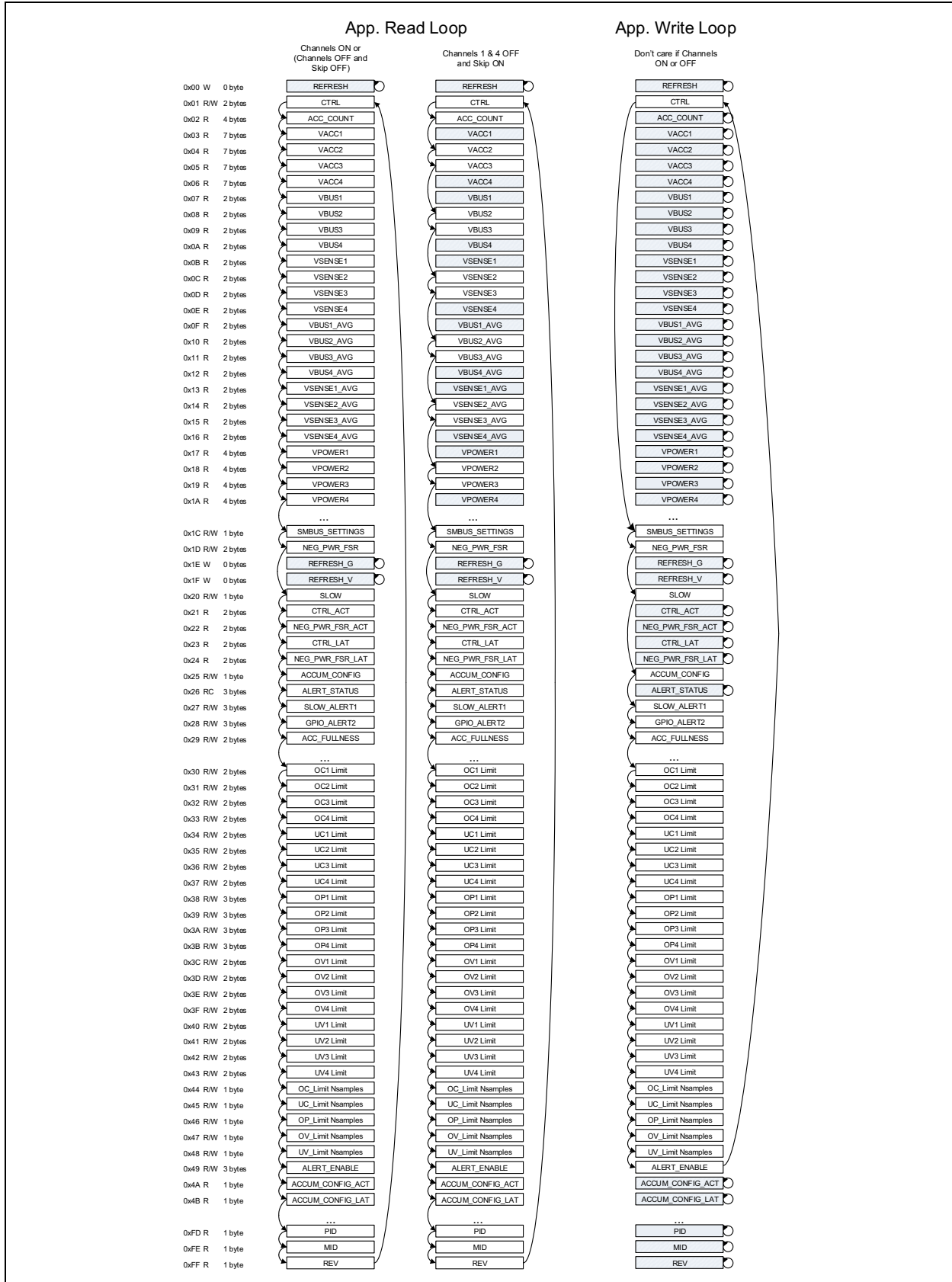


FIGURE 6-2: Read and Write Auto-Incrementing Loops.

Figure 6-2 shows how the auto-incrementing read loop works with the SKIP option on and off. It also shows how the write loop works with the REFRESH, REFRESH_V and REFRESH_G commands.

6.6 I²C/SMBus Commands

6.6.1 REFRESH AND REFRESH_V

REFRESH and REFRESH_V commands are sent using the Send Byte command, the client address and the desired command (00h for REFRESH or 1Fh for REFRESH_V). See Table 6-3.

TABLE 6-3: REFRESH AND REFRESH_V COMMANDS

START	Client Address	WR	ACK	REFRESH or REFRESH_V Command	ACK	STOP
1 → 0	YYYY_YYY	0	0	00h or 1Fh	0	0 → 1

6.6.2 GENERAL CALL ADDRESS RESPONSE

When the host sends the General Call address, the PAC195X is able to execute the REFRESH command by means of a second version of the REFRESH command called REFRESH_G (see Register 7-12).

Just as the REFRESH command is sent using a Send Byte command with the client address and the REFRESH command (00h), the REFRESH_G command is sent using Send Byte with the General Call address (0000 000) and the REFRESH_G command (1Eh).

Table 6-4 shows the response to the General Call command for REFRESH_G.

TABLE 6-4: GENERAL CALL RESPONSE

START	General Call Address	WR	ACK	REFRESH_G Command	ACK	STOP
1 → 0	0000_000	0	0	1Eh	0	0 → 1

6.6.3 WRITE BYTE

The Write Byte is used to write one byte of data to the registers, as shown in Table 6-5.

TABLE 6-5: WRITE BYTE PROTOCOL

START	Client Address	WR	ACK	Register Address	ACK	Register Data	ACK	STOP
1 → 0	YYYY_YYY	0	0	XXh	0	XXh	0	0 → 1

6.6.4 READ BYTE

The Read Byte protocol is used to read one byte of data from the registers, as shown in Table 6-6.

If an invalid register address is specified, the client will ACK its address but NACK the register address.

The host will NACK (not acknowledge) the data received from the client by holding the SMBus data line high after the eighth data bit is sent.

TABLE 6-6: READ BYTE PROTOCOL

START	Client Address	WR	ACK	Register Address	ACK	START	Client Address	RD	ACK	Register Data	NACK	STOP
1 → 0	YYYY_YYY	0	0	XXh	0	1 → 0	YYYY_YYY	1	0	XXh	1	0 → 1

PAC195X

6.6.5 SEND BYTE

The Send Byte protocol is used to set the internal address register pointer to the correct address location. No data are transferred during the Send Byte protocol, as shown in [Table 6-7](#).

TABLE 6-7: SEND BYTE PROTOCOL

START	Client Address	WR	ACK	Register Address	ACK	STOP
1 → 0	YYYY_YYY	0	0	XXh	0	0 → 1

6.6.6 RECEIVE BYTE

The Receive Byte protocol is used to read data from a register when the internal register address pointer is known to be at the right location (e.g., set via Send Byte). This is shown in [Table 6-8](#).

When an ACK is received after the register data, the address pointer automatically increments.

When a NACK is received after the register data, the address pointer stays at the same position.

If the host wishes to continue clocking and reading the next register, the host will ACK after the register data, instead of sending NACK followed by STOP.

If some channels are deactivated, their data registers will be skipped by the auto-incrementing pointer. Alternatively, you may set bit 0 in [Register 7-10](#) and the pointer will not skip the addresses associated with the inactive channels. The measurement data for these inactive channels will read FFh.

TABLE 6-8: RECEIVE BYTE PROTOCOL

START	Client Address	RD	ACK	Register Data	NACK	STOP
1 → 0	YYYY_YYY	1	0	XXh	1	0 → 1

6.6.7 BLOCK WRITE – I²C VERSION

Block Write is used to write multiple data bytes from a register that contains more than one byte of data or from a group of contiguous registers, as shown in [Table 6-9](#). The PAC195X supports I²C Block Write by default, the SMBus format is not supported.

If an invalid register address is specified, the client will ACK its address but NACK the register address.

The host will NACK the data received from the client by holding the SMBus data line high after the eighth data bit is sent.

TABLE 6-9: BLOCK WRITE PROTOCOL – I²C VERSION (DEFAULT)

START	Client Address	WR	ACK	Register Address	ACK	Register Data	ACK
1 → 0	YYYY_YYY	0	0	XXh	0	XXh	0
Register Data	ACK	Register Data	ACK		Register Data	ACK	STOP
XXh	0	XXh	0		XXh	0	0 → 1

6.6.8 BLOCK READ – I²C VERSION

Block Read is used to read multiple data bytes from a register that contains more than one byte of data or from a group of contiguous registers, as shown in [Table 6-10](#). The PAC195X supports I²C Block Read by default, but the SMBus format can also be supported (see [Table 6-11](#)).

If an invalid register address is specified, the client will ACK its address but NACK the register address.

The host will NACK the data received from the client by holding the SMBus data line high after the eighth data bit is sent.

TABLE 6-10: BLOCK READ PROTOCOL – I²C VERSION (DEFAULT)

START	Client Address	WR	ACK	Register Address	ACK	START	Client Address	RD	ACK	Register Data
1 → 0	YYYY_YYY	0	0	XXh	0	1 → 0	YYYY_YYY	1	0	XXh
ACK	Register Data	ACK	Register Data	ACK	Register Data	ACK		Register Data	NACK	STOP
0	XXh	0	XXh	0	XXh	0		XXh	1	0 → 1

6.6.9 BLOCK READ – SMBUS VERSION

The PAC195X can also support the SMBus version of Block Read. If the Byte Count bit is set, Block Read will result in the device sending the Byte Count data before the first data byte. This protocol is shown in [Table 6-11](#).

TABLE 6-11: BLOCK READ PROTOCOL – SMBUS VERSION (MUST SET BYTE COUNT BIT)

START	Client Address	WR	ACK	Register Address	ACK	START	Client Address	RD	ACK	Byte Count
1 → 0	YYYY_YYY	0	0	XXh	0	1 → 0	YYYY_YYY	1	0	XXh = N
ACK	Register Data	ACK	Register Data	ACK	Register Data	ACK		Register Data	NACK	STOP
0	XXh	0	XXh	0	XXh	0		XXh	1	0 → 1

PAC195X

NOTES:

7.0 REGISTERS DESCRIPTION

TABLE 7-1: REGISTER SET IN HEXADECIMAL ORDER

Register Name	Description	Type	Bytes	POR Value
REFRESH (Address 00h) Register	Send Byte for REFRESH command	SEND	0	N/A
CTRL (ADDRESS 01H) Register	Configures sampling modes and $\overline{\text{ALERT}}$ pins	R/W	2	0700h (Note 2)
ACC_COUNT (02H) Register	Accumulator count for all channels	Block Read	4	Note 1
VACCN (03H-06H) Register	Accumulator output for Channel 1	Block Read	7	Note 1
	Accumulator output for Channel 2	Block Read	7	Note 1
	Accumulator output for Channel 3	Block Read	7	Note 1
	Accumulator output for Channel 4	Block Read	7	Note 1
VBUSN (07H-0AH) Register	V_{BUS} measurement for Channel 1	Block Read	2	Note 1
	V_{BUS} measurement for Channel 2	Block Read	2	Note 1
	V_{BUS} measurement for Channel 3	Block Read	2	Note 1
	V_{BUS} measurement for Channel 4	Block Read	2	Note 1
VSENSEN (0BH-0EH) Register	V_{SENSE} measurement for Channel 1	Block Read	2	Note 1
	V_{SENSE} measurement for Channel 2	Block Read	2	Note 1
	V_{SENSE} measurement for Channel 3	Block Read	2	Note 1
	V_{SENSE} measurement for Channel 4	Block Read	2	Note 1
VBUSN_AVG (0FH-12H) Register	Rolling average of the eight most recent V_{BUS1} measurements	Block Read	2	Note 1
	Rolling average of the eight most recent V_{BUS2} measurements	Block Read	2	Note 1
	Rolling average of the eight most recent V_{BUS3} measurements	Block Read	2	Note 1
	Rolling average of the eight most recent V_{BUS4} measurements	Block Read	2	Note 1

Note 1: All the results registers, 03H-1Ah, have a POR value that is all zeros: 2 bytes → 0000h; 3 bytes → 000000h; 4 bytes → 00000000h; 7 bytes → 00000000000000h.

2: Register 01h has different default values for different devices, see [Register 7-2](#).

3: Register FDh has different values depending on which member of the product family is selected. See [Register 7-37](#).

PAC195X

TABLE 7-1: REGISTER SET IN HEXADECIMAL ORDER (CONTINUED)

Register Name	Description	Type	Bytes	POR Value
VSENSE_AVG (13H-16H) Register	Rolling average of the eight most recent V_{SENSE1} measurements	Block Read	2	Note 1
	Rolling average of the eight most recent V_{SENSE2} measurements	Block Read	2	Note 1
	Rolling average of the eight most recent V_{SENSE3} measurements	Block Read	2	Note 1
	Rolling average of the eight most recent V_{SENSE4} measurements	Block Read	2	Note 1
VPOWERN (17H-1AH) Register	$V_{SENSE} \times V_{BUS}$ for Channel 1	Block Read	4	Note 1
	$V_{SENSE} \times V_{BUS}$ for Channel 2	Block Read	4	Note 1
	$V_{SENSE} \times V_{BUS}$ for Channel 3	Block Read	4	Note 1
	$V_{SENSE} \times V_{BUS}$ for Channel 4	Block Read	4	Note 1
SMBUS SETTINGS (1CH) Register	Activate SMBus functionality, I/O data for R/W on I/O pins	R/W	1	10h
NEG_PWR_FSR (1DH) Register	Configuration control for bidirectional current	R/W	2	0000h
REFRESH_G (1EH) Register	REFRESH response to General Call Address	SEND	0	N/A
REFRESH_V (1FH) Register	Refreshes V_{BUS} and V_{SENSE} data only, no accumulator reset	SEND	0	N/A
SLOW (20H) Register	Status and control for SLOW pin functions	R/W	1	00h
CTRL_ACT (21H) Register	Currently active value of 01h	R	2	0700h
NEG_PWR_FSR_ACT (22H) Register	Currently active value of NEG_PWR	R	2	0000h
CTRL_LAT (23H) Register	Latched active value of 01h	R	2	0700h
NEG_PWR_FSR_LAT (24H) Register	Latched active value of NEG_PWR	R	2	0000h
ACCUM CONFIG (25H) Register	Enable V_{SENSE} and V_{BUS} accumulation	R/W	1	00h
ALERT STATUS (26H) Register	Reads to see what triggered ALERT	RC	3	000000h
SLOW_ALERT1 (27H) Register	Assigns specific ALERT to ALERTn/SLOW	RW	3	000000h
GPIO_ALERT2 (28H) Register	Assigns specific ALERT to ALERTn/I/O	R/W	3	000000h
ACC FULLNESS LIMITS (29H) Register	ACC and ACC Count Fullness limits	R/W	2	5540h
OC LIMITN (30H-33H) Register	OC limit for Channel 1	R/W	2	0000h
	OC limit for Channel 2	R/W	2	0000h
	OC limit for Channel 3	R/W	2	0000h
	OC limit for Channel 4	R/W	2	0000h

Note 1: All the results registers, 03H-1Ah, have a POR value that is all zeros: 2 bytes → 0000h; 3 bytes → 000000h; 4 bytes → 00000000h; 7 bytes → 00000000000000h.

2: Register 01h has different default values for different devices, see [Register 7-2](#).

3: Register FDh has different values depending on which member of the product family is selected. See [Register 7-37](#).

TABLE 7-1: REGISTER SET IN HEXADECIMAL ORDER (CONTINUED)

Register Name	Description	Type	Bytes	POR Value
UC LIMITN (34H-37H) Register	UC limit for Channel 1	R/W	2	0000h
	UC limit for Channel 2	R/W	2	0000h
	UC limit for Channel 3	R/W	2	0000h
	UC limit for Channel 4	R/W	2	0000h
OP LIMITN (38H-3BH) Register	OP limit for Channel 1	R/W	3	000000h
	OP limit for Channel 2	R/W	3	000000h
	OP limit for Channel 3	R/W	3	000000h
	OP limit for Channel 4	R/W	3	000000h
OV LIMITN (3CH-3FH) Register	OV limit for Channel 1	R/W	2	0000h
	OV limit for Channel 2	R/W	2	0000h
	OV limit for Channel 3	R/W	2	0000h
	OV limit for Channel 4	R/W	2	0000h
UV LIMITN (40H-43H) Register	UV limit for Channel 1	R/W	2	0000h
	UV limit for Channel 2	R/W	2	0000h
	UV limit for Channel 3	R/W	2	0000h
	UV limit for Channel 4	R/W	2	0000h
OC LIMIT NSAMPLES (44H) Register	Consecutive OC samples over threshold for ALERT	R/W	1	00h
UC LIMIT NSAMPLES (45H) Register	Consecutive UC samples over threshold for ALERT	R/W	1	00h
OP LIMIT NSAMPLES (46H) Register	Consecutive OP samples over threshold for ALERT	R/W	1	00h
OV LIMIT NSAMPLES (47H) Register	Consecutive OV samples over threshold for ALERT	R/W	1	00h
UV LIMIT NSAMPLES (48H) Register	Consecutive UV samples over threshold for ALERT	R/W	1	00h
ALERT ENABLE (49H) Register	ALERT Enable	R/W	3	000000h
ACCUM CONFIG ACT (4AH) Register	Currently active value of 25h	R	1	00h
ACCUM CONFIG LAT (4BH) Register	Latched active value of 25h	R	1	00h
PRODUCT ID (FDH) Register	Stores the Product ID	R	1	Note 3
MANUFACTURER ID (FEH) Register	Stores the Manufacturer ID	R	1	54h
REVISION ID (FFH) Register	Stores the revision	R	1	02h

Note 1: All the results registers, 03H-1Ah, have a POR value that is all zeros: 2 bytes → 0000h; 3 bytes → 000000h; 4 bytes → 00000000h; 7 bytes → 00000000000000h.

2: Register 01h has different default values for different devices, see [Register 7-2](#).

3: Register FDh has different values depending on which member of the product family is selected. See [Register 7-37](#).

PAC195X

7.1 Reading Data Bytes

Data represented by the data registers are ensured to be synchronized and stable for 1 ms after any of the REFRESH commands are sent. Immediately after the REFRESH commands are sent, the data bytes change dynamically until 1 ms elapses.

When new data are written to a control register and the host reads it back, the new data are read back even if no REFRESH command is sent to cause the new data to take effect.

Note: The letter N or n is used to represent 1, 2, 3, 4 in the register and bit names below, in sections that describe registers that are grouped for all four channels.

REGISTER 7-1: REFRESH (ADDRESS 00H) REGISTER

SEND	
No Data in this command, Send Byte only	
bit 7	bit 0

Legend:

R = Readable bit	W = Writable bit	U = Unimplemented bit, read as '0'
-n = Value at POR	'1' = Bit is set	'0' = Bit is cleared x = Bit is unknown

bit 7-0 This command is a Send byte, it does not contain any data. When it is sent to the device, the REFRESH command is executed. The accumulator data, accumulator count, V_{BUS} and V_{SENSE} measurements are all refreshed and the accumulators are reset. The host can read the accumulator data and accumulator count 1 ms after the REFRESH command is sent and anytime after, up until the next REFRESH command is sent. The host can read V_{BUS} and V_{SENSE} data in the same time period. The accumulator results, accumulator count, V_{BUS} and V_{SENSE} data can be refreshed with the REFRESH_V command without resetting the accumulators. See [Section 5.2, "REFRESH Command"](#).

REGISTER 7-2: CTRL (ADDRESS 01H) REGISTER

R/W-0	R/W-0	R/W-0	R/W-0	R/W-0	R/W-1	R/W-1	R/W-1
SAMPLE_MODE[3:0]				GPIO_ALERT2[1:0]		SLOW_ALERT1[1:0]	
bit 15				bit 8			

R/W-0	R/W-0	R/W-0	R/W-0	U-0	U-0	U-0	U-0
CHANNEL_N_OFF[3:0]				—	—	—	—
bit 7				bit 0			

Legend:

R = Readable bit	W = Writable bit	U = Unimplemented bit, read as '0'
-n = Value at POR	'1' = Bit is set	'0' = Bit is cleared
		x = Bit is unknown

- bit 15-12 **SAMPLE_MODE[3:0]:** These bits select one of the sampling modes listed below. These modes are exclusive – that is, only one mode can be set at any given time. One of the sampling modes is Sleep, when no sampling occurs.
- 0b0000 = 1024 SPS adaptive accumulation (default), see [Section 5.13.1, "Adaptive Accumulator"](#)
 - 0b0001 = 256 SPS adaptive accumulation
 - 0b0010 = 64 SPS adaptive accumulation
 - 0b0011 = 8 SPS adaptive accumulation
 - 0b0100 = 1024 SPS, see [Section 5.15, "Conversion Cycle Controls"](#)
 - 0b0101 = 256 SPS
 - 0b0110 = 64 SPS
 - 0b0111 = 8 SPS
 - 0b1000 = Single-Shot mode, see [Section 5.15.4, "Single-Shot Mode"](#)
 - 0b1001 = Single-Shot 8X
 - 0b1010 = Fast mode, see [Section 5.15.3, "Fast Mode"](#)
 - 0b1011 = Burst mode, see [Section 5.15.2, "Burst Mode"](#)
 - 0b1100 = Reserved
 - 0b1101 = Reserved
 - 0b1110 = Reserved
 - 0b1111 = Sleep, see [Section 5.5, "Sleep State"](#)
- bit 11-10 **GPIO_ALERT2[1:0]:** Select the signals for the GPIO/ $\overline{\text{ALERT2}}$ pin. If the pin is configured as a GPIO pin, the R/W data for the pin are stored in [Register 7-10](#).
- 00 = ALERT functions as an $\overline{\text{ALERT}}$ pin
 - 01 = GPIO digital input. Read the digital value input to this pin from [Register 7-10](#). Default for this pin.
 - 10 = GPIO digital output. Write the digital value to be output from this pin to [Register 7-10](#).
 - 11 = The pin functions as the SLOW pin, taking the pin high overrides the programmed sample rate and yields a sampling rate of 8 SPS. Only one pin can be selected to set the SLOW functionality. If both GPIO/ $\overline{\text{ALERT2}}$ and SLOW/ $\overline{\text{ALERT1}}$ pins are set to SLOW, the SLOW/ $\overline{\text{ALERT1}}$ pin will control the SLOW functionality.
- bit 9-8 **SLOW_ALERT1[1:0]:** Select the signals for SLOW/ $\overline{\text{ALERT1}}$ pin. If the pin is configured as a GPIO pin, the R/W data for the pin are stored in [Register 7-10](#).
- 00 = ALERT functions as an $\overline{\text{ALERT1}}$ pin
 - 01 = GPIO digital input. Read the digital value input to this pin from [Register 7-10](#).
 - 10 = GPIO digital output. Write the digital value to be output from this pin to [Register 7-10](#).
 - 11 = SLOW functions as the SLOW pin, taking the pin high overrides the programmed sample rate and yields a sampling rate of 8 SPS (default for this pin).

PAC195X

REGISTER 7-2: CTRL (ADDRESS 01H) REGISTER (CONTINUED)

bit 7-4 **CHANNEL_N_OFF[3:0]:**
 Allow one or more channels to be disabled (bit value = 1) during the conversion cycle. A bit value = 0 means the channel is active. These settings apply for normal continuous round robin conversion cycles or Single-Shot mode, if Single-Shot mode is selected. If a channel is set to inactive, the auto-incrementing address pointer will skip addresses associated with that channel unless the No Skip bit 1 in [Register 7-10](#) is set.

Channel 1: bit 3
 Channel 2: bit 2
 Channel 3: bit 1
 Channel 4: bit 0

Example: Channel 2 disabled, Channel 1, 3 and 4 enabled. CHANNEL_N_OFF = 0b0100.

In PAC195X devices, deactivating channels allows faster sampling. Burst or Fast modes are selected using bits [15:12] in this register.

PAC1954-1 default = 0b0000 (register default 0700h) (shown above)
 PAC1953-1 default = 0b0001 (register value 0710h)
 PAC1952-1 default = 0b0011 (register value 0730h)
 PAC1952-2 default = 0b0011 (register value 0730h)
 PAC1951-1 default = 0b0111 (register value 0770h)
 PAC1951-2 default = 0b0111 (register value 0770h)

bit 3-0 Unimplemented, read as '0'.

REGISTER 7-3: ACC_COUNT (02H) REGISTER

R/W-0	R/W-0	R/W-0	R/W-0	R/W-0	R/W-0	R/W-0	R/W-0
ACC_COUNT[31:24]							
bit 31				bit 24			

R/W-0	R/W-0	R/W-0	R/W-0	R/W-0	R/W-0	R/W-0	R/W-0
ACC_COUNT[23:16]							
bit 23				bit 16			

R/W-0	R/W-0	R/W-0	R/W-0	R/W-0	R/W-0	R/W-0	R/W-0
ACC_COUNT[15:8]							
bit 15				bit 8			

R/W-0	R/W-0	R/W-0	R/W-0	R/W-0	R/W-0	R/W-0	R/W-0
ACC_COUNT[7:0]							
bit 7				bit 0			

Legend:
 R = Readable bit W = Writable bit U = Unimplemented bit, read as '0'
 -n = Value at POR '1' = Bit is set '0' = Bit is cleared x = Bit is unknown

bit 31-0 **ACC_COUNT[31:0]:** This register contains the count for each time a power result is summed in the accumulator.

REGISTER 7-4: VACCN (03H-06H) REGISTER

R-0	R-0	R-0	R-0	R-0	R-0	R-0	R-0
VACCn[55:48]							
bit 55				bit 48			

R-0	R-0	R-0	R-0	R-0	R-0	R-0	R-0
VACCn[47:40]							
bit 47				bit 40			

R-0	R-0	R-0	R-0	R-0	R-0	R-0	R-0
VACCn[39:32]							
bit 39				bit 32			

R-0	R-0	R-0	R-0	R-0	R-0	R-0	R-0
VACCn[31:24]							
bit 31				bit 24			

R-0	R-0	R-0	R-0	R-0	R-0	R-0	R-0
VACCn[23:16]							
bit 23				bit 16			

R-0	R-0	R-0	R-0	R-0	R-0	R-0	R-0
VACCn[15:8]							
bit 15				bit 8			

R-0	R-0	R-0	R-0	R-0	R-0	R-0	R-0
VACCn[7:0]							
bit 7				bit 0			

Legend:

R = Readable bit
-n = Value at POR

W = Writable bit
'1' = Bit is set

U = Unimplemented bit, read as '0'
'0' = Bit is cleared
x = Bit is unknown

bit 55-0 **VACCn[55:0]:** This register contains the accumulated sum of V_{POWER} samples, where $n = 1$ to 4, depending on the device by default. It can also hold the accumulated values of V_{SENSE} and V_{BUS} if bits are set in [Register 7-19](#). These are 56-bit unsigned numbers, unless either V_{BUS} or V_{SENSE} is configured to have a bipolar range. In that case, they will be 55 bits + sign (two's complement) numbers. Power is always calculated using signed numbers for V_{BUS} and V_{SENSE} , but if both V_{BUS} and V_{SENSE} are in the default Unipolar mode, power is reported as an unsigned number. This can lead to very small discrepancies between a manual comparison of the product of V_{BUS} and V_{SENSE} and the results that the chip calculates and accumulates for V_{POWER} . The digital math in the chip uses more bits than the reported results for V_{BUS} and V_{SENSE} , so the results registers for V_{POWER} and the accumulated power will in some cases have a more accurate number than calculations using the results registers for V_{SENSE} and V_{POWER} will provide.

PAC195X

REGISTER 7-5: VBUSN (07H-0AH) REGISTER

R-0	R-0	R-0	R-0	R-0	R-0	R-0	R-0
VBUSn[15:8]							
bit 15							bit 8

R-0	R-0	R-0	R-0	R-0	R-0	R-0	R-0
VBUSn[7:0]							
bit 7							bit 0

Legend:

R = Readable bit

W = Writable bit

U = Unimplemented bit, read as '0'

-n = Value at POR

'1' = Bit is set

'0' = Bit is cleared

x = Bit is unknown

bit 15-0 **VBUSn[15:0]**: This register contains the most recent digitized value of a V_{BUS} sample, where $n = 1$ to 4, depending on the device. These are 16-bit unsigned numbers, unless V_{BUS} is configured to have a bipolar range. In that case, they will be 15 bits + sign (two's complement) numbers.

REGISTER 7-6: VSENSEN (0BH-0EH) REGISTER

R-0	R-0	R-0	R-0	R-0	R-0	R-0	R-0
VSENSEN[15:8]							
bit 15							bit 8

R-0	R-0	R-0	R-0	R-0	R-0	R-0	R-0
VSENSEN[7:0]							
bit 7							bit 0

Legend:

R = Readable bit

W = Writable bit

U = Unimplemented bit, read as '0'

-n = Value at POR

'1' = Bit is set

'0' = Bit is cleared

x = Bit is unknown

bit 15-0 **VSENSEN[15:0]**: This register contains the most recent digitized value of V_{SENSE} samples, where $n = 1$ to 4, depending on the device. These are 16-bit unsigned numbers, unless V_{SENSE} is configured to have a bipolar range. In that case, they will be 15 bits + sign (two's complement) numbers.

REGISTER 7-7: VBUSN_AVG (0FH-12H) REGISTER

R-0	R-0	R-0	R-0	R-0	R-0	R-0	R-0
VBUSn_AVG[15:8]							
bit 15				bit 8			

R-0	R-0	R-0	R-0	R-0	R-0	R-0	R-0
VBUSn_AVG[7:0]							
bit 7				bit 0			

Legend:

R = Readable bit W = Writable bit U = Unimplemented bit, read as '0'
 -n = Value at POR '1' = Bit is set '0' = Bit is cleared x = Bit is unknown

bit 15-0 **VBUSn_AVG[15:0]**: This register contain a rolling average of the eight most recent V_{BUS} measurements. It has the same format as the values in the V_{BUS} registers.

REGISTER 7-8: VSENSEn_AVG (13H-16H) REGISTER

R-0	R-0	R-0	R-0	R-0	R-0	R-0	R-0
VSENSEn_AVG[15:8]							
bit 15				bit 8			

R-0	R-0	R-0	R-0	R-0	R-0	R-0	R-0
VSENSEn_AVG[7:0]							
bit 7				bit 0			

Legend:

R = Readable bit W = Writable bit U = Unimplemented bit, read as '0'
 -n = Value at POR '1' = Bit is set '0' = Bit is cleared x = Bit is unknown

bit 15-0 **VSENSEn_AVG[15:0]**: This register contains a rolling average of the eight most recent V_{SENSE} results. It has the same format as the values in the V_{SENSE} registers.

PAC195X

REGISTER 7-9: VPOWERN (17H-1AH) REGISTER

R-0	R-0	R-0	R-0	R-0	R-0	R-0	R-0
VPOWERN[29:22]							
bit 31				bit 24			

R-0	R-0	R-0	R-0	R-0	R-0	R-0	R-0
VPOWERN[21:14]							
bit 23				bit 16			

R-0	R-0	R-0	R-0	R-0	R-0	R-0	R-0
VPOWERN[13:6]							
bit 15				bit 8			

R-0	R-0	R-0	R-0	R-0	R-0	U-0	U-0
VPOWERN[5:0]						—	—
bit 7				bit 0			

Legend:

R = Readable bit
-n = Value at POR

W = Writable bit
'1' = Bit is set

U = Unimplemented bit, read as '0'
'0' = Bit is cleared

x = Bit is unknown

bit 31-2 **VPOWERN[29-0]**: This register contains the product of V_{BUS} (14 MSBs) and V_{SENSE} , which represents the proportional power for each channel. These are 30-bit unsigned numbers unless either V_{BUS} or V_{SENSE} is configured to have a bipolar range. In that case, they will be 29 bits + sign (two's complement) numbers. These are the numbers that are accumulated in the accumulators. Power is always calculated using signed numbers for V_{BUS} and V_{SENSE} , but if both V_{BUS} and V_{SENSE} are in the default Unipolar mode, power is reported as an unsigned number. This can lead to very small discrepancies between a manual comparison of the product of V_{BUS} and V_{SENSE} and the results that the chip calculates for V_{POWER} . The digital math in the chip uses more bits than the reported results for V_{BUS} and V_{SENSE} , so the results registers for V_{POWER} and the accumulated power will in some cases have a more accurate number than calculations using the results registers for V_{SENSE} and V_{POWER} will provide.

bit 1-0 Unimplemented, read as '0'.

REGISTER 7-10: SMBUS SETTINGS (1CH) REGISTER

R/W-0	R/W-0	R/W-0	R/W-1	R/W-0	R/W-0	R/W-0	R/W-0
GPIO_DATA2	GPIO_DATA1	ANY_ALERT	POR	TIMEOUT	BYTE COUNT	NO SKIP	I2C_HISPEED
bit 7							bit 0

Legend:

R = Readable bit
-n = Value at POR

W = Writable bit
'1' = Bit is set

U = Unimplemented bit, read as '0'
'0' = Bit is cleared

x = Bit is unknown

Bits in this register may be written or read at any time and are active immediately. Refresh is not required to activate them or update them.

- bit 7 **GPIO_DATA2**: R/W data for the pin $\overline{\text{GPIO/ALERT2}}$ if the pin is configured as a GPIO pin. See [Register 7-2](#) to configure $\overline{\text{GPIO/ALERT2}}$ as a GPIO pin.
0 = Pull the GPIO pin low when configured to be an output (default)
1 = GPIO pin pulled to external V_{IO} via an external resistor when configured to be an output
- bit 6 **GPIO_DATA1**: R/W data for the pin $\overline{\text{SLOW/ALERT1}}$ if the pin is configured as a GPIO pin. See [Register 7-2](#) to configure $\overline{\text{SLOW/ALERT1}}$ as a GPIO pin.
0 = Pull the GPIO pin low when configured to be an output (default)
1 = GPIO pin pulled to external V_{IO} via an external resistor when configured to be an output
- bit 5 **ANY_ALERT**: This bit is set by any of the active ALERT functions being triggered, except $\overline{\text{ALERT_CC}}$. This bit is cleared when the ALERT function that set the bit is cleared. See [Section 5.16.2, "ALERT Pin Assignments"](#).
0 = No ALERT condition has occurred (default)
1 = An ALERT condition has occurred, read [Register 7-20](#) for cause
- bit 4 **POR**: The POR bit is for the purpose of enabling the system designer to learn if the chip is reset after it is programmed. The user can clear this bit after POR and then monitor it to detect if the device was powered cycled or somehow reset since the POR. If the reset is detected in this manner, any non-default programming can be reprogrammed. This bit is only reset by the internal POR, which can occur from power cycling or the $\overline{\text{PWRDN}}$ pin going low.
0 = This bit has been cleared over I²C since the last POR occurred
1 = Default. This bit has the POR default value of '1' and has not been cleared since the last reset occurred
- bit 3 **TIMEOUT** enable bit. The SMBus time-out is disabled by default and is enabled by setting this bit.
0 = No SMBus time-out feature (default)
1 = SMBus time-out feature is available
- bit 2 **BYTE COUNT**: This bit causes Byte Count data to be included in the response to the SMBus Block Read command for each register read. This functionality is disabled by default and Block Read corresponds to the I²C protocol.
0 = No Byte Count in response to a Block Read command (default)
1 = Data in response to a Block Read command include the Byte Count data
- bit 1 **NO SKIP**: This bit controls the auto-incrementing of the address pointer for channels that are inactive.
0 = The auto-incrementing pointer will skip over addresses used by/for channels that are inactive (default)
1 = The auto-incrementing pointer will not skip over addresses used by/for channels that are inactive. When these channels are disabled, if a read is performed, it will read FF.
- bit 0 **I2C_HISPEED**: Setting this bit enables the 3.4 MHz I²C operation by changing the pulse-width parameters of the Pulse Gobbler. Default = 0.

PAC195X

REGISTER 7-11: NEG_PWR_FSR (1DH) REGISTER

R/W-0	R/W-0	R/W-0	R/W-0	R/W-0	R/W-0	R/W-0	R/W-0
CFG_VS1[1:0]		CFG_VS2[1:0]		CFG_VS3[1:0]		CFG_VS4[1:0]	
bit 15						bit 8	

R/W-0	R/W-0	R/W-0	R/W-0	R/W-0	R/W-0	R/W-0	R/W-0
CFG_VB1[1:0]		CFG_VB2[1:0]		CFG_VB3[1:0]		CFG_VB4[1:0]	
bit 7						bit 0	

Legend:

R = Readable bit W = Writable bit U = Unimplemented bit, read as '0'
 -n = Value at POR '1' = Bit is set '0' = Bit is cleared x = Bit is unknown

- bit 15-14 **CFG_VS1[1:0]**: Configure Channel 1 FSR for V_{SENSE} measurements
 00 = Channel 1 V_{SENSE} has unipolar +100 mV to 0V FSR (default)
 01 = Channel 1 V_{SENSE} has bipolar +100 mV to -100 mV FSR
 10 = Channel 1 V_{SENSE} has bipolar +50 mV to -50 mV FSR
 11 = Reserved
- bit 13-12 **CFG_VS2[1:0]**: Configure Channel 2 FSR for V_{SENSE} measurements
 00 = Channel 2 V_{SENSE} has unipolar +100 mV to 0V FSR (default)
 01 = Channel 2 V_{SENSE} has bipolar +100 mV to -100 mV FSR
 10 = Channel 2 V_{SENSE} has bipolar +50 mV to -50 mV FSR
 11 = Reserved
- bit 11-10 **CFG_VS3[1:0]**: Configure Channel 3 FSR for V_{SENSE} measurements
 00 = Channel 3 V_{SENSE} has unipolar +100 mV to 0V FSR (default)
 01 = Channel 3 V_{SENSE} has bipolar +100 mV to -100 mV FSR
 10 = Channel 3 V_{SENSE} has bipolar +50 mV to -50 mV FSR
 11 = Reserved
- bit 9-8 **CFG_VS4[1:0]**: Configure Channel 4 FSR for V_{SENSE} measurements
 00 = Channel 4 V_{SENSE} has unipolar +100 mV to 0V FSR (default)
 01 = Channel 4 V_{SENSE} has bipolar +100 mV to -100 mV FSR
 10 = Channel 4 V_{SENSE} has bipolar +50 mV to -50 mV FSR
 11 = Reserved
- bit 7-6 **CFG_VB1[1:0]**: Configure Channel 1 FSR for V_{BUS} measurements
 00 = Channel 1 V_{BUS} has unipolar +32V to 0V FSR (default)
 01 = Channel 1 V_{BUS} has bipolar +32V to -32V FSR
 10 = Channel 1 V_{BUS} has bipolar +16V to -16V FSR
 11 = Reserved
- bit 5-4 **CFG_VB2[1:0]**: Configure Channel 2 FSR for V_{BUS} measurements
 00 = Channel 2 V_{BUS} has unipolar +32V to 0V FSR (default)
 01 = Channel 2 V_{BUS} has bipolar +32V to -32V FSR
 10 = Channel 2 V_{BUS} has bipolar +16V to -16V FSR
 11 = Reserved
- bit 3-2 **CFG_VB3[1:0]**: Configure Channel 3 FSR for V_{BUS} measurements
 00 = Channel 3 V_{BUS} has unipolar +32V to 0V FSR (default)
 01 = Channel 3 V_{BUS} has bipolar +32V to -32V FSR
 10 = Channel 3 V_{BUS} has bipolar +16V to -16V FSR
 11 = Reserved
- bit 1-0 **CFG_VB4[1:0]**: Configure Channel 4 FSR for V_{BUS} measurements
 00 = Channel 4 V_{BUS} has unipolar +32V to 0V FSR (default)
 01 = Channel 4 V_{BUS} has bipolar +32V to -32V FSR
 10 = Channel 4 V_{BUS} has bipolar +16V to -16V FSR
 11 = Reserved

REGISTER 7-12: REFRESH_G (1EH) REGISTER

SEND	
No Data in this command, Send Byte only	
bit 7	bit 0

Legend:

R = Readable bit	W = Writable bit	U = Unimplemented bit, read as '0'
-n = Value at POR	'1' = Bit is set	'0' = Bit is cleared x = Bit is unknown

bit 7-0 This command is a Send Byte, it does not contain any data. It is exactly like the REFRESH command, but it is intended for use with the General Call command. When it is sent to the device, the REFRESH_G command is executed and the readable accumulator data, readable accumulator count, V_{BUS} and V_{SENSE} measurements are all refreshed and the internal accumulator values or accumulator count are reset, exactly like the REFRESH command. The host can read the updated data 1 ms after the REFRESH_G command is sent and anytime after, up until the next REFRESH, REFRESH_G or REFRESH_V command is sent.

REGISTER 7-13: REFRESH_V (1FH) REGISTER

SEND	
No Data in this command, Send Byte only	
bit 7	bit 0

Legend:

R = Readable bit	W = Writable bit	U = Unimplemented bit, read as '0'
-n = Value at POR	'1' = Bit is set	'0' = Bit is cleared x = Bit is unknown

bit 7-0 This command is a Send Byte, it does not contain any data. When it is sent to the device, the REFRESH_V command is executed. It is similar to the REFRESH command except the accumulators and accumulator count are not reset. The readable accumulator data, readable accumulator count, V_{BUS} and V_{SENSE} measurements are all refreshed without affecting the internal accumulators values or accumulator count. The host can read the updated data 1 ms after the REFRESH_V command is sent and anytime after, up until the next REFRESH, REFRESH_G or REFRESH_V command is sent.

PAC195X

REGISTER 7-14: SLOW (20H) REGISTER

R-0	R-0	R-0	R/W-0	R/W-0	R/W-0	R/W-0	U-0
SLOW	SLOW_LH	SLOW_HL	R_RISE	R_V_RISE	R_FALL	R_V_FALL	—
bit 7							bit 0

Legend:

R = Readable bit

W = Writable bit

U = Unimplemented bit, read as '0'

-n = Value at POR

'1' = Bit is set

'0' = Bit is cleared

x = Bit is unknown

This register tracks the state of the SLOW pin, tracks transitions on the SLOW pin and controls the type of limited REFRESH command (if any) that will occur on a SLOW pin transition. This allows software to monitor the state of the SLOW pin and its transitions over the I²C even though the SLOW pin is asynchronous to the I²C pins and may have a different controller. As such, no REFRESH or REFRESH_V command is required to activate new written values or to update readable values. On a transition of the SLOW pin, a limited REFRESH function may be executed if bits 1-4 are set. These limited REFRESH and REFRESH_V functions update all of the readable results registers. The limited REFRESH does not update the CTRL_LAT, NEG_PWR_FSR_LAT or the ACCUM_CONFIG_LAT registers. For the limited REFRESH function only, it also resets the accumulators and accumulator count. These are called limited REFRESH and limited REFRESH_V functions because there is no activation of any pending changes to the control registers. If limited REFRESH and limited REFRESH_V are both enabled for a certain SLOW pin transition, REFRESH will be executed (REFRESH wins over REFRESH_V).

bit 7 **SLOW:**

0 = SLOW pin, the current status is not active

1 = SLOW pin, the current status is active

bit 6 **SLOW_LH:**

0 = The SLOW pin has not transitioned low to high since the last REFRESH command

1 = The SLOW pin has transitioned low to high since the last REFRESH command

The bit is reset to '0' by a REFRESH or REFRESH_G command.

bit 5 **SLOW_HL:**

0 = The SLOW pin has not transitioned high to low since the last REFRESH command

1 = The SLOW pin has transitioned high to low since the last REFRESH command

The bit is reset to '0' by a REFRESH or REFRESH_G command.

bit 4 **R_RISE:**

0 = Disables limited REFRESH function to take place on the rising edge of the SLOW pin

1 = Enables limited REFRESH function to take place on the rising edge of the SLOW pin

The bit is not reset automatically, it must be written to be changed.

bit 3 **R_V_RISE:**

0 = Disables limited REFRESH_V function to take place on the rising edge of the SLOW pin

1 = Enables limited REFRESH_V function to take place on the rising edge of the SLOW pin

The bit is not reset automatically, it must be written to be changed.

bit 2 **R_FALL:**

0 = Disables limited REFRESH function to take place on the falling edge of the SLOW pin

1 = Enables limited REFRESH function to take place on the falling edge of the SLOW pin

The bit is not reset automatically, it must be written to be changed.

bit 1 **R_V_FALL:**

0 = Disables limited REFRESH_V function to take place on the falling edge of the SLOW pin

1 = Enables limited REFRESH_V function to take place on the falling edge of the SLOW pin

The bit is not reset automatically, it must be written to be changed.

bit 0 Unimplemented, read as '0'.

REGISTER 7-15: CTRL_ACT (21H) REGISTER

R-0	R-0	R-0	R-0	R-0	R-1	R-1	R-1
SAMPLE_MODE[3:0]				GPIO_ALERT2[1:0]		SLOW_ALERT1[1:0]	
bit 15				bit 8			

R-0	R-0	R-0	R-0	U-0	U-0	U-0	U-0
CHANNEL_N_OFF[3:0]				—	—	—	—
bit 7				bit 0			

Legend:

R = Readable bit	W = Writable bit	U = Unimplemented bit, read as '0'
-n = Value at POR	'1' = Bit is set	'0' = Bit is cleared
		x = Bit is unknown

This register contains an image of [Register 7-2](#) and reflects the current active value of these settings, whereas the values in register 01h may be programmed but not activated by one of the REFRESH commands. This register allows software to determine the actual active settings. This register is valid when the results registers are valid, 1 ms after a REFRESH/_V/_G command, in most cases. However, if you program a conversion rate change followed by REFRESH, the new conversion rate will not become effective until the current conversion cycle is complete. This can cause a delay in some cases before the conversion cycle (and the CTRL_ACT register) is updated. This delay can be variable, depending on where you are in the conversion cycle when the REFRESH command is sent.

bit 15-12 **SAMPLE_MODE[3:0]:** These bits select one of the sampling modes listed below. These modes are exclusive – that is, only one mode can be set at any given time. One of the sampling modes is Sleep, when no sampling occurs.

- 0b0000 = 1024 SPS adaptive accumulation (default), see [Section 5.13.1, "Adaptive Accumulator"](#)
- 0b0001 = 256 SPS adaptive accumulation
- 0b0010 = 64 SPS adaptive accumulation
- 0b0011 = 8 SPS adaptive accumulation
- 0b0100 = 1024 SPS, see [Section 5.15, "Conversion Cycle Controls"](#)
- 0b0101 = 256 SPS
- 0b0110 = 64 SPS
- 0b0111 = 8 SPS
- 0b1000 = Single-Shot mode, see [Section 5.15.4, "Single-Shot Mode"](#)
- 0b1001 = Single-Shot 8X
- 0b1010 = Fast mode, see [Section 5.15.3, "Fast Mode"](#)
- 0b1011 = Burst mode, see [Section 5.15.2, "Burst Mode"](#)
- 0b1100 = Reserved
- 0b1101 = Reserved
- 0b1110 = Reserved
- 0b1111 = Sleep, see [Section 5.5, "Sleep State"](#)

bit 11-10 **GPIO_ALERT2[1:0]:** Select the signals for the GPIO/ $\overline{\text{ALERT2}}$ pin. If the pin is configured as a GPIO pin, the R/W data for the pin are stored in [Register 7-10](#).

- 00 = ALERT functions as an $\overline{\text{ALERT}}$ pin
- 01 = GPIO digital input. Read the digital value input to this pin from [Register 7-10](#). Default for this pin.
- 10 = GPIO digital output. Write the digital value to be output from this pin to [Register 7-10](#).
- 11 = The pin functions as the SLOW pin, taking the pin high overrides the programmed sample rate and yields a sampling rate of 8 SPS.

PAC195X

REGISTER 7-15: CTRL_ACT (21H) REGISTER (CONTINUED)

- bit 9-8 **SLOW_ALERT1[1:0]:** Select the signals for SLOW/ $\overline{\text{ALERT1}}$ pin. If the pin is configured as a GPIO pin, the R/W data for the pin are stored in [Register 7-10](#).
- 00 = ALERT functions as an $\overline{\text{ALERT1}}$ pin
 - 01 = GPIO digital input. Read the digital value input to this pin from [Register 7-10](#).
 - 10 = GPIO digital output. Write the digital value to be output from this pin to [Register 7-10](#).
 - 11 = SLOW functions as the SLOW pin, taking the pin high overrides the programmed sample rate and yields a sampling rate of 8 SPS (default for this pin).
- bit 7-4 **CHANNEL_N_OFF[3:0]:**
- Allow one or more channels to be inactive during the conversion cycle. These settings apply for normal continuous round robin conversion cycles or Single-Shot mode, if Single-Shot mode is selected. If a channel is set to inactive, the auto-incrementing address pointer will skip addresses associated with that channel unless the pointer skipping bit 1 in this register is set.
- In PAC195X devices, deactivating channels allows faster sampling. Burst or Fast modes are selected using bits [15:12] in this register.
- PAC1954-1 default = 0b0000 (register default 0700h) (shown above)
 PAC1953-1 default = 0b0001 (register value 0710h)
 PAC1952-1 default = 0b0011 (register value 0730h)
 PAC1952-2 default = 0b0011 (register value 0730h)
 PAC1951-1 default = 0b0111 (register value 0770h)
 PAC1951-2 default = 0b0111 (register value 0770h)
- bit 3-0 Unimplemented, read as '0'.

REGISTER 7-16: NEG_PWR_FSR_ACT (22H) REGISTER

R/W-0	R/W-0	R/W-0	R/W-0	R/W-0	R/W-0	R/W-0	R/W-0
CFG_VS1[1:0]		CFG_VS2[1:0]		CFG_VS3[1:0]		CFG_VS4[1:0]	
bit 15							bit 8

R/W-0	R/W-0	R/W-0	R/W-0	R/W-0	R/W-0	R/W-0	R/W-0
CFG_VB1[1:0]		CFG_VB2[1:0]		CFG_VB3[1:0]		CFG_VB4[1:0]	
bit 7							bit 0

Legend:

R = Readable bit	W = Writable bit	U = Unimplemented bit, read as '0'
-n = Value at POR	'1' = Bit is set	'0' = Bit is cleared x = Bit is unknown

This register contains an image of [Register 7-11](#). The bits in this register reflect the current active value of these settings, whereas the values in register 1Dh may be programmed but not activated by one of the REFRESH commands. This register allows software to determine the actual active setting. This register is valid when the results registers are valid, 1 ms after a REFRESH/_V/_G command.

- bit 15-14 **CFG_VS1[1:0]:** Configure Channel 1 FSR for V_{SENSE} measurements
- 00 = Channel 1 V_{SENSE} has unipolar +100 mV to 0V FSR (default)
 - 01 = Channel 1 V_{SENSE} has bipolar +100 mV to -100 mV FSR
 - 10 = Channel 1 V_{SENSE} has bipolar +50 mV to -50 mV FSR
 - 11 = Reserved

REGISTER 7-16: NEG_PWR_FSR_ACT (22H) REGISTER (CONTINUED)

bit 13-12	<p>CFG_VS2[1:0]: Configure Channel 2 FSR for V_{SENSE} measurements</p> <p>00 = Channel 2 V_{SENSE} has unipolar +100 mV to 0V FSR (default)</p> <p>01 = Channel 2 V_{SENSE} has bipolar +100 mV to -100 mV FSR</p> <p>10 = Channel 2 V_{SENSE} has bipolar +50 mV to -50 mV FSR</p> <p>11 = Reserved</p>
bit 11-10	<p>CFG_VS3[1:0]: Configure Channel 3 FSR for V_{SENSE} measurements</p> <p>00 = Channel 3 V_{SENSE} has unipolar +100 mV to 0V FSR (default)</p> <p>01 = Channel 3 V_{SENSE} has bipolar +100 mV to -100 mV FSR</p> <p>10 = Channel 3 V_{SENSE} has bipolar +50 mV to -50 mV FSR</p> <p>11 = Reserved</p>
bit 9-8	<p>CFG_VS4[1:0]: Configure Channel 4 FSR for V_{SENSE} measurements</p> <p>00 = Channel 4 V_{SENSE} has unipolar +100 mV to 0V FSR (default)</p> <p>01 = Channel 4 V_{SENSE} has bipolar +100 mV to -100 mV FSR</p> <p>10 = Channel 4 V_{SENSE} has bipolar +50 mV to -50 mV FSR</p> <p>11 = Reserved</p>
bit 7-6	<p>CFG_VB1[1:0]: Configure Channel 1 FSR for V_{BUS} measurements</p> <p>00 = Channel 1 V_{BUS} has unipolar +32V to 0V FSR (default)</p> <p>01 = Channel 1 V_{BUS} has bipolar +32V to -32V FSR</p> <p>10 = Channel 1 V_{BUS} has bipolar +16V to -16V FSR</p> <p>11 = Reserved</p>
bit 5-4	<p>CFG_VB2[1:0]: Configure Channel 2 FSR for V_{BUS} measurements</p> <p>00 = Channel 2 V_{BUS} has unipolar +32V to 0V FSR (default)</p> <p>01 = Channel 2 V_{BUS} has bipolar +32V to -32V FSR</p> <p>10 = Channel 2 V_{BUS} has bipolar +16V to -16V FSR</p> <p>11 = Reserved</p>
bit 3-2	<p>CFG_VB3[1:0]: Configure Channel 3 FSR for V_{BUS} measurements</p> <p>00 = Channel 3 V_{BUS} has unipolar +32V to 0V FSR (default)</p> <p>01 = Channel 3 V_{BUS} has bipolar +32V to -32V FSR</p> <p>10 = Channel 3 V_{BUS} has bipolar +16V to -16V FSR</p> <p>11 = Reserved</p>
bit 1-0	<p>CFG_VB4[1:0]: Configure Channel 4 FSR for V_{BUS} measurements</p> <p>00 = Channel 4 V_{BUS} has unipolar +32V to 0V FSR (default)</p> <p>01 = Channel 4 V_{BUS} has bipolar +32V to -32V FSR</p> <p>10 = Channel 4 V_{BUS} has bipolar +16V to -16V FSR</p> <p>11 = Reserved</p>

PAC195X

REGISTER 7-17: CTRL_LAT (23H) REGISTER

R-0	R-0	R-0	R-0	R-0	R-1	R-1	R-1
SAMPLE_MODE[3:0]				GPIO_ALERT2[1:0]		SLOW_ALERT1[1:0]	
bit 15				bit 8			

R-0	R-0	R-0	R-0	U-0	U-0	U-0	U-0
CHANNEL_N_OFF[3:0]				—	—	—	—
bit 7				bit 0			

Legend:

R = Readable bit
 -n = Value at POR
 W = Writable bit
 '1' = Bit is set
 U = Unimplemented bit, read as '0'
 '0' = Bit is cleared
 x = Bit is unknown

This register contains an image of [Register 7-2](#). The bits in this register reflect the value of these settings, that was active before the most recent REFRESH command (including REFRESH_V and/or REFRESH_G). The values in register 01h may be programmed but not activated by one of the REFRESH commands and the values in 21h are currently active. This register allows software to determine the actual active setting that was active prior to the most recent REFRESH command and therefore corresponds to the dataset that is held in the readable registers. This register is valid when the results registers are valid, 1 ms after a REFRESH/_V/_G command. The CTRL_LAT register is not valid until the first REFRESH is sent after a POR event.

- bit 15-12 **SAMPLE_MODE[3:0]:** These bits select one of the sampling modes listed below. These modes are exclusive – that is, only one mode can be set at any given time. One of the sampling modes is Sleep, when no sampling occurs.
- 0b0000 = 1024 SPS adaptive accumulation (default), see [Section 5.13.1, "Adaptive Accumulator"](#)
 - 0b0001 = 256 SPS adaptive accumulation
 - 0b0010 = 64 SPS adaptive accumulation
 - 0b0011 = 8 SPS adaptive accumulation
 - 0b0100 = 1024 SPS, see [Section 5.15, "Conversion Cycle Controls"](#)
 - 0b0101 = 256 SPS
 - 0b0110 = 64 SPS
 - 0b0111 = 8 SPS
 - 0b1000 = Single-Shot mode, see [Section 5.15.4, "Single-Shot Mode"](#)
 - 0b1001 = Single-Shot 8X
 - 0b1010 = Fast mode, see [Section 5.15.3, "Fast Mode"](#)
 - 0b1011 = Burst mode, see [Section 5.15.2, "Burst Mode"](#)
 - 0b1100 = Reserved
 - 0b1101 = Reserved
 - 0b1110 = Reserved
 - 0b1111 = Sleep, see [Section 5.5, "Sleep State"](#)
- bit 11-10 **GPIO_ALERT2[1:0]:** Select the signals for the GPIO/ $\overline{\text{ALERT2}}$ pin. If the pin is configured as a GPIO pin, the R/W data for the pin are stored in [Register 7-10](#).
- 00 = ALERT functions as an $\overline{\text{ALERT}}$ pin
 - 01 = GPIO digital input. Read the digital value input to this pin from [Register 7-10](#). Default for this pin.
 - 10 = GPIO digital output. Write the digital value to be output from this pin to [Register 7-10](#).
 - 11 = The pin functions as the SLOW pin, taking the pin high overrides the programmed sample rate and yields a sampling rate of 8 SPS.
- bit 9-8 **SLOW_ALERT1[1:0]:** Select the signals for SLOW/ $\overline{\text{ALERT1}}$ pin. If the pin is configured as a GPIO pin, the R/W data for the pin are stored in [Register 7-10](#).
- 00 = ALERT functions as an $\overline{\text{ALERT1}}$ pin
 - 01 = GPIO digital input. Read the digital value input to this pin from [Register 7-10](#).
 - 10 = GPIO digital output. Write the digital value to be output from this pin to [Register 7-10](#).
 - 11 = SLOW functions as the SLOW pin, taking the pin high overrides the programmed sample rate and yields a sampling rate of 8 SPS (default for this pin).

REGISTER 7-17: CTRL_LAT (23H) REGISTER (CONTINUED)

- bit 7-4 **CHANNEL_N_OFF[3:0]:**
 Allow one or more channels to be inactive during the conversion cycle. These settings apply for normal continuous round robin conversion cycles or Single-Shot mode, if Single-Shot mode is selected. If a channel is set to inactive, the auto-incrementing address pointer will skip addresses associated with that channel unless the pointer skipping bit 1 in this register is set.
 In PAC195X devices, deactivating channels allows faster sampling. Burst or Fast modes are selected using bits [15:12] in this register.
 PAC1954-1 default = 0b0000 (register default 0700h) (shown above)
 PAC1953-1 default = 0b0001 (register value 0710h)
 PAC1952-1 default = 0b0011 (register value 0730h)
 PAC1952-2 default = 0b0011 (register value 0730h)
 PAC1951-1 default = 0b0111 (register value 0770h)
 PAC1951-2 default = 0b0111 (register value 0770h)
- bit 3-0 Unimplemented, read as '0'.

REGISTER 7-18: NEG_PWR_FSR_LAT (24H) REGISTER

R/W-0	R/W-0	R/W-0	R/W-0	R/W-0	R/W-0	R/W-0	R/W-0
CFG_VS1[1:0]		CFG_VS2[1:0]		CFG_VS3[1:0]		CFG_VS4[1:0]	
bit 15				bit 8			

R/W-0	R/W-0	R/W-0	R/W-0	R/W-0	R/W-0	R/W-0	R/W-0
CFG_VB1[1:0]		CFG_VB2[1:0]		CFG_VB3[1:0]		CFG_VB4[1:0]	
bit 7				bit 0			

Legend:

R = Readable bit	W = Writable bit	U = Unimplemented bit, read as '0'
-n = Value at POR	'1' = Bit is set	'0' = Bit is cleared x = Bit is unknown

This register holds an image of [Register 7-11](#). The bits in this register reflect the settings that were active before the most recent REFRESH command (including REFRESH_V and/or REFRESH_G). The values in register 1Dh may be programmed but not activated by one of the REFRESH commands. This register shows the settings that were active prior to the most recent REFRESH command and therefore correspond to the dataset that is held in the readable registers. This register is valid when the results registers are valid, 1 ms after a REFRESH/_V/_G command.

- bit 15-14 **CFG_VS1[1:0]:** Configure Channel 1 FSR for V_{SENSE} measurements
 00 = Channel 1 V_{SENSE} has unipolar +100 mV to 0V FSR (default)
 01 = Channel 1 V_{SENSE} has bipolar +100 mV to -100 mV FSR
 10 = Channel 1 V_{SENSE} has bipolar +50 mV to -50 mV FSR
 11 = Reserved
- bit 13-12 **CFG_VS2[1:0]:** Configure Channel 2 FSR for V_{SENSE} measurements
 00 = Channel 2 V_{SENSE} has unipolar +100 mV to 0V FSR (default)
 01 = Channel 2 V_{SENSE} has bipolar +100 mV to -100 mV FSR
 10 = Channel 2 V_{SENSE} has bipolar +50 mV to -50 mV FSR
 11 = Reserved
- bit 11-10 **CFG_VS3[1:0]:** Configure Channel 3 FSR for V_{SENSE} measurements
 00 = Channel 3 V_{SENSE} has unipolar +100 mV to 0V FSR (default)
 01 = Channel 3 V_{SENSE} has bipolar +100 mV to -100 mV FSR
 10 = Channel 3 V_{SENSE} has bipolar +50 mV to -50 mV FSR
 11 = Reserved

REGISTER 7-18: NEG_PWR_FSR_LAT (24H) REGISTER (CONTINUED)

- bit 9-8 **CFG_VS4[1:0]**: Configure Channel 4 FSR for V_{SENSE} measurements
00 = Channel 4 V_{SENSE} has unipolar +100 mV to 0V FSR (default)
01 = Channel 4 V_{SENSE} has bipolar +100 mV to -100 mV FSR
10 = Channel 4 V_{SENSE} has bipolar +50 mV to -50 mV FSR
11 = Reserved
- bit 7-6 **CFG_VB1[1:0]**: Configure Channel 1 FSR for V_{BUS} measurements
00 = Channel 1 V_{BUS} has unipolar +32V to 0V FSR (default)
01 = Channel 1 V_{BUS} has bipolar +32V to -32V FSR
10 = Channel 1 V_{BUS} has bipolar +16V to -16V FSR
11 = Reserved
- bit 5-4 **CFG_VB2[1:0]**: Configure Channel 2 FSR for V_{BUS} measurements
00 = Channel 2 V_{BUS} has unipolar +32V to 0V FSR (default)
01 = Channel 2 V_{BUS} has bipolar +32V to -32V FSR
10 = Channel 2 V_{BUS} has bipolar +16V to -16V FSR
11 = Reserved
- bit 3-2 **CFG_VB3[1:0]**: Configure Channel 3 FSR for V_{BUS} measurements
00 = Channel 3 V_{BUS} has unipolar +32V to 0V FSR (default)
01 = Channel 3 V_{BUS} has bipolar +32V to -32V FSR
10 = Channel 3 V_{BUS} has bipolar +16V to -16V FSR
11 = Reserved
- bit 1-0 **CFG_VB4[1:0]**: Configure Channel 4 FSR for V_{BUS} measurements
00 = Channel 4 V_{BUS} has unipolar +32V to 0V FSR (default)
01 = Channel 4 V_{BUS} has bipolar +32V to -32V FSR
10 = Channel 4 V_{BUS} has bipolar +16V to -16V FSR
11 = Reserved

REGISTER 7-19: ACCUM CONFIG (25H) REGISTER

R/W-0	R/W-0	R/W-0	R/W-0	R/W-0	R/W-0	R/W-0	R/W-0
ACC1_CONFIG[1:0]		ACC2_CONFIG[1:0]		ACC3_CONFIG[1:0]		ACC4_CONFIG[1:0]	
bit 7							bit 0

Legend:

R = Readable bit

W = Writable bit

U = Unimplemented bit, read as '0'

-n = Value at POR

'1' = Bit is set

'0' = Bit is cleared

x = Bit is unknown

This register is used to configure the Accumulator for one of the alternate modes: V_{SENSE} Accumulation (Coulomb Counting) or V_{BUS} Accumulation (V_{BUS} integration). All bits default to zero, which is the V_{POWER} Accumulation mode for the Accumulator, useful for energy measurements.

- bit 7-6 **ACC1_CONFIG[1:0]**: Configure the accumulator for Channel 1 to accumulate V_{POWER} (default), V_{SENSE} or V_{BUS} .
 00 = Channel 1 Accumulator accumulates V_{POWER}
 01 = Channel 1 Accumulator accumulates V_{SENSE}
 10 = Channel 1 Accumulator accumulates V_{BUS}
 11 = Reserved, read as '0'.
- bit 5-4 **ACC2_CONFIG[1:0]**: Configure the accumulator for Channel 2 to accumulate V_{POWER} (default), V_{SENSE} or V_{BUS} .
 00 = Channel 2 Accumulator accumulates V_{POWER}
 01 = Channel 2 Accumulator accumulates V_{SENSE}
 10 = Channel 2 Accumulator accumulates V_{BUS}
 11 = Reserved, read as '0'.
- bit 3-2 **ACC3_CONFIG[1:0]**: Configure the accumulator for Channel 3 to accumulate V_{POWER} (default), V_{SENSE} or V_{BUS} .
 00 = Channel 3 Accumulator accumulates V_{POWER}
 01 = Channel 3 Accumulator accumulates V_{SENSE}
 10 = Channel 3 Accumulator accumulates V_{BUS}
 11 = Reserved, read as '0'.
- bit 1-0 **ACC4_CONFIG[1:0]**: Configure the accumulator for Channel 4 to accumulate V_{POWER} (default), V_{SENSE} or V_{BUS} .
 00 = Channel 4 Accumulator accumulates V_{POWER}
 01 = Channel 4 Accumulator accumulates V_{SENSE}
 10 = Channel 4 Accumulator accumulates V_{BUS}
 11 = Reserved, read as '0'.

PAC195X

REGISTER 7-20: ALERT STATUS (26H) REGISTER

RC-0	RC-0	RC-0	RC-0	RC-0	RC-0	RC-0	RC-0
CH1OC	CH2OC	CH3OC	CH4OC	CH1UC	CH2UC	CH3UC	CH4UC
bit 23						bit 16	

RC-0	RC-0	RC-0	RC-0	RC-0	RC-0	RC-0	RC-0
CH1OV	CH2OV	CH3OV	CH4OV	CH1UV	CH2UV	CH3UV	CH4UV
bit 15						bit 8	

RC-0	RC-0	RC-0	RC-0	RC-0	RC-0	U-0	U-0
CH1OP	CH2OP	CH3OP	CH4OP	ACC_OVF	ACC_COUNT	—	—
bit 7						bit 0	

Legend:

R = Readable bit

W = Writable bit

U = Unimplemented bit, read as '0'

-n = Value at POR

'1' = Bit is set

'0' = Bit is cleared

x = Bit is unknown

Read this register to determine the cause of ALERT being tripped. See [Section 5.16.4, "ALERT Functionality – Voltage, Current and Power"](#). This register is cleared when read and another conversion cycle completes. If the condition that set the ALERT is still present when the conversion cycle completes, the bit remains set. The register does not require a REFRESH to update the readable register value. The OC, UC, OP, OV and UV ALERTs are disabled by default. To enable the ones you want, set the appropriate bits in [Register 7-34](#).

- bit 23 **CH1OC:**
 0 = ALERT for overcurrent on Channel 1 is not tripped
 1 = ALERT for overcurrent on Channel 1 is tripped
- bit 22 **CH2OC:**
 0 = ALERT for overcurrent on Channel 2 is not tripped
 1 = ALERT for overcurrent on Channel 2 is tripped
- bit 21 **CH3OC:**
 0 = ALERT for overcurrent on Channel 3 is not tripped
 1 = ALERT for overcurrent on Channel 3 is tripped
- bit 20 **CH4OC:**
 0 = ALERT for overcurrent on Channel 4 is not tripped
 1 = ALERT for overcurrent on Channel 4 is tripped
- bit 19 **CH1UC:**
 0 = ALERT for undercurrent on Channel 1 is not tripped
 1 = ALERT for undercurrent on Channel 1 is tripped
- bit 18 **CH2UC:**
 0 = ALERT for undercurrent on Channel 2 is not tripped
 1 = ALERT for undercurrent on Channel 2 is tripped
- bit 17 **CH3UC:**
 0 = ALERT for undercurrent on Channel 3 is not tripped
 1 = ALERT for undercurrent on Channel 3 is tripped
- bit 16 **CH4UC:**
 0 = ALERT for undercurrent on Channel 4 is not tripped
 1 = ALERT for undercurrent on Channel 4 is tripped
- bit 15 **CH1OV:**
 0 = ALERT for overvoltage on Channel 1 is not tripped
 1 = ALERT for overvoltage on Channel 1 is tripped

REGISTER 7-20: ALERT STATUS (26H) REGISTER (CONTINUED)

bit 14	<p>CH2OV: 0 = ALERT for overvoltage on Channel 2 is not tripped 1 = ALERT for overvoltage on Channel 2 is tripped</p>
bit 13	<p>CH3OV: 0 = ALERT for overvoltage on Channel 3 is not tripped 1 = ALERT for overvoltage on Channel 3 is tripped</p>
bit 12	<p>CH4OV: 0 = ALERT for overvoltage on Channel 4 is not tripped 1 = ALERT for overvoltage on Channel 4 is tripped</p>
bit 11	<p>CH1UV: 0 = ALERT for undervoltage on Channel 1 is not tripped 1 = ALERT for undervoltage on Channel 1 is tripped</p>
bit 10	<p>CH2UV: 0 = ALERT for undervoltage on Channel 2 is not tripped 1 = ALERT for undervoltage on Channel 2 is tripped</p>
bit 9	<p>CH3UV: 0 = ALERT for undervoltage on Channel 3 is not tripped 1 = ALERT for undervoltage on Channel 3 is tripped</p>
bit 8	<p>CH4UV: 0 = ALERT for undervoltage on Channel 4 is not tripped 1 = ALERT for undervoltage on Channel 4 is tripped</p>
bit 7	<p>CH1OP: 0 = ALERT for overpower on Channel 1 is not tripped 1 = ALERT for overpower on Channel 1 is tripped</p>
bit 6	<p>CH2OP: 0 = ALERT for overpower on Channel 2 is not tripped 1 = ALERT for overpower on Channel 2 is tripped</p>
bit 5	<p>CH3OP: 0 = ALERT for overpower on Channel 3 is not tripped 1 = ALERT for overpower on Channel 3 is tripped</p>
bit 4	<p>CH4OP: 0 = ALERT for overpower on Channel 4 has is not tripped 1 = ALERT for overpower on Channel 4 is tripped</p>
bit 3	<p>ACC_OVF: This bit signals when the Accumulator for any channel overflows or exceeds its fullness limit specified in Register 7-23. 0 = No Accumulator full related ALERT for this channel 1 = ALERT triggered by Accumulator fullness limit exceeded</p>
bit 2	<p>ACC_COUNT: This bit signals when the Accumulator Count overflows or exceeds its fullness limit specified in Register 7-23. 0 = No Accumulator full related ALERT for this channel 1 = ALERT triggered by Accumulator Count fullness limit exceeded</p>
bit 1-0	<p>Unimplemented, read as '0'.</p>

PAC195X

REGISTER 7-21: SLOW_ALERT1 (27H) REGISTER

RW-0	RW-0	RW-0	RW-0	RW-0	RW-0	RW-0	RW-0
CH1OC	CH2OC	CH3OC	CH4OC	CH1UC	CH2UC	CH3UC	CH4UC
bit 23							bit 16

RW-0	RW-0	RW-0	RW-0	RW-0	RW-0	RW-0	RW-0
CH1OV	CH2OV	CH3OV	CH4OV	CH1UV	CH2UV	CH3UV	CH4UV
bit 15							bit 8

RW-0	RW-0	RW-0	RW-0	RW-0	RW-0	RW-0	U-0
CH1OP	CH2OP	CH3OP	CH4OP	ACC_OVF	ACC_COUNT	ALERT_CC1	—
bit 7							bit 0

Legend:

R = Readable bit

W = Writable bit

U = Unimplemented bit, read as '0'

-n = Value at POR

'1' = Bit is set

'0' = Bit is cleared

x = Bit is unknown

Write to this register to assign a specific ALERT signal to the SLOW/ALERT1 pin. The SLOW/ALERT1 pin must be configured for the ALERT function in [Register 7-2](#) for this register to control the pin. See [Section 5.16.2, "ALERT Pin Assignments"](#). ALERTs must be enabled in [Register 7-34](#) before you can route them to a pin. Disable ALERTs in [Register 7-34](#) before changing any limit to avoid false triggers.

- bit 23 **CH1OC:**
0 = ALERT for overcurrent on Channel 1 is not enabled
1 = ALERT for overcurrent on Channel 1 is enabled
- bit 22 **CH2OC:**
0 = ALERT for overcurrent on Channel 2 is not enabled
1 = ALERT for overcurrent on Channel 2 is enabled
- bit 21 **CH3OC:**
0 = ALERT for overcurrent on Channel 3 is not enabled
1 = ALERT for overcurrent on Channel 3 is enabled
- bit 20 **CH4OC:**
0 = ALERT for overcurrent on Channel 4 is not enabled
1 = ALERT for overcurrent on Channel 4 is enabled
- bit 19 **CH1UC:**
0 = ALERT for undercurrent on Channel 1 is not enabled
1 = ALERT for undercurrent on Channel 1 is enabled
- bit 18 **CH2UC:**
0 = ALERT for undercurrent on Channel 2 is not enabled
1 = ALERT for undercurrent on Channel 2 is enabled
- bit 17 **CH3UC:**
0 = ALERT for undercurrent on Channel 3 is not enabled
1 = ALERT for undercurrent on Channel 3 is enabled
- bit 16 **CH4UC:**
0 = ALERT for undercurrent on Channel 4 is not enabled
1 = ALERT for undercurrent on Channel 4 is enabled
- bit 15 **CH1OV:**
0 = ALERT for overvoltage on Channel 1 is not enabled
1 = ALERT for overvoltage on Channel 1 is enabled

REGISTER 7-21: SLOW_ALERT1 (27H) REGISTER (CONTINUED)

bit 14	<p>CH2OV: 0 = ALERT for overvoltage on Channel 2 is not enabled 1 = ALERT for overvoltage on Channel 2 is enabled</p>
bit 13	<p>CH3OV: 0 = ALERT for overvoltage on Channel 3 is not enabled 1 = ALERT for overvoltage on Channel 3 is enabled</p>
bit 12	<p>CH4OV: 0 = ALERT for overvoltage on Channel 4 is not enabled 1 = ALERT for overvoltage on Channel 4 is enabled</p>
bit 11	<p>CH1UV: 0 = ALERT for undervoltage on Channel 1 is not enabled 1 = ALERT for undervoltage on Channel 1 is enabled</p>
bit 10	<p>CH2UV: 0 = ALERT for undervoltage on Channel 2 is not enabled 1 = ALERT for undervoltage on Channel 2 is enabled</p>
bit 9	<p>CH3UV: 0 = ALERT for undervoltage on Channel 3 is not enabled 1 = ALERT for undervoltage on Channel 3 is enabled</p>
bit 8	<p>CH4UV: 0 = ALERT for undervoltage on Channel 4 is not enabled 1 = ALERT for undervoltage on Channel 4 is enabled</p>
bit 7	<p>CH1OP: 0 = ALERT for overpower on Channel 1 is not enabled 1 = ALERT for overpower on Channel 1 is enabled</p>
bit 6	<p>CH2OP: 0 = ALERT for overpower on Channel 2 is not enabled 1 = ALERT for overpower on Channel 2 is enabled</p>
bit 5	<p>CH3OP: 0 = ALERT for overpower on Channel 3 is not enabled 1 = ALERT for overpower on Channel 3 is enabled</p>
bit 4	<p>CH4OP: 0 = ALERT for overpower on Channel 4 is not enabled 1 = ALERT for overpower on Channel 4 is enabled</p>
bit 3	<p>ACC_OVF: This bit signals when the Accumulator for any channel overflows or exceeds its fullness limit specified in Register 7-23. 0 = No Accumulator full related ALERT for this channel 1 = ALERT triggered by Accumulator fullness limit exceeded</p>
bit 2	<p>ACC_COUNT: This bit signals when the Accumulator Count overflows or exceeds its fullness limit specified in Register 7-23. 0 = No Accumulator full related ALERT for this channel 1 = ALERT triggered by Accumulator Count fullness limit exceeded</p>
bit 1	<p>ALERT_CC1: Setting this bit to '1' causes the <u>SLOW/ALERT1</u> pin to be asserted for 5 μs at the end of each <u>conversion cycle</u>. This pin must be configured as an ALERT pin for this function to trigger the <u>SLOW/ALERT1</u> pin. The SLOW function is not available on this pin when the pin is used as an ALERT pin. See Section 5.16.1, "ALERT after Complete Conversion". 0 = No ALERT on <u>SLOW/ALERT1</u> pin at each conversion cycle complete event 1 = ALERT function on <u>SLOW/ALERT1</u> pin asserted for 5 μs on each completion of the conversion cycle</p>
bit 0	Unimplemented, read as '0'.

PAC195X

REGISTER 7-22: GPIO_ALERT2 (28H) REGISTER

RW-0	RW-0	RW-0	RW-0	RW-0	RW-0	RW-0	RW-0
CH1OC	CH2OC	CH3OC	CH4OC	CH1UC	CH2UC	CH3UC	CH4UC
bit 23							bit 16

RW-0	RW-0	RW-0	RW-0	RW-0	RW-0	RW-0	RW-0
CH1OV	CH2OV	CH3OV	CH4OV	CH1UV	CH2UV	CH3UV	CH4UV
bit 15							bit 8

RW-0	RW-0	RW-0	RW-0	RW-0	RW-0	RW-0	U-0
CH1OP	CH2OP	CH3OP	CH4OP	ACC_OVF	ACC_COUNT	ALERT_CC2	—
bit 7							bit 0

Legend:

R = Readable bit

W = Writable bit

U = Unimplemented bit, read as '0'

-n = Value at POR

'1' = Bit is set

'0' = Bit is cleared

x = Bit is unknown

Write to this register to assign a specific ALERT signal to the GPIO/ALERT2 pin. The GPIO/ALERT2 pin must be configured for ALERT function in [Register 7-2](#) for this register to control the pin. See [Section 5.16.2, "ALERT Pin Assignments"](#). ALERTs must be enabled in [Register 7-34](#) before you can route them to a pin. Disable ALERTs in [Register 7-34](#) before changing any limit to avoid false triggers.

- bit 23 **CH1OC:**
 0 = ALERT for overcurrent on Channel 1 is not enabled
 1 = ALERT for overcurrent on Channel 1 is enabled
- bit 22 **CH2OC:**
 0 = ALERT for overcurrent on Channel 2 is not enabled
 1 = ALERT for overcurrent on Channel 2 is enabled
- bit 21 **CH3OC:**
 0 = ALERT for overcurrent on Channel 3 is not enabled
 1 = ALERT for overcurrent on Channel 3 is enabled
- bit 20 **CH4OC:**
 0 = ALERT for overcurrent on Channel 4 is not enabled
 1 = ALERT for overcurrent on Channel 4 is enabled
- bit 19 **CH1UC:**
 0 = ALERT for undercurrent on Channel 1 is not enabled
 1 = ALERT for undercurrent on Channel 1 is enabled
- bit 18 **CH2UC:**
 0 = ALERT for undercurrent on Channel 2 is not enabled
 1 = ALERT for undercurrent on Channel 2 is enabled
- bit 17 **CH3UC:**
 0 = ALERT for undercurrent on Channel 3 is not enabled
 1 = ALERT for undercurrent on Channel 3 is enabled
- bit 16 **CH4UC:**
 0 = ALERT for undercurrent on Channel 4 is not enabled
 1 = ALERT for undercurrent on Channel 4 is enabled
- bit 15 **CH1OV:**
 0 = ALERT for overvoltage on Channel 1 is not enabled
 1 = ALERT for overvoltage on Channel 1 is enabled

REGISTER 7-22: GPIO_ALERT2 (28H) REGISTER (CONTINUED)

bit 14	<p>CH2OV: 0 = ALERT for overvoltage on Channel 2 is not enabled 1 = ALERT for overvoltage on Channel 2 is enabled</p>
bit 13	<p>CH3OV: 0 = ALERT for overvoltage on Channel 3 is not enabled 1 = ALERT for overvoltage on Channel 3 is enabled</p>
bit 12	<p>CH4OV: 0 = ALERT for overvoltage on Channel 4 is not enabled 1 = ALERT for overvoltage on Channel 4 is enabled</p>
bit 11	<p>CH1UV: 0 = ALERT for undervoltage on Channel 1 is not enabled 1 = ALERT for undervoltage on Channel 1 is enabled</p>
bit 10	<p>CH2UV: 0 = ALERT for undervoltage on Channel 2 is not enabled 1 = ALERT for undervoltage on Channel 2 is enabled</p>
bit 9	<p>CH3UV: 0 = ALERT for undervoltage on Channel 3 is not enabled 1 = ALERT for undervoltage on Channel 3 is enabled</p>
bit 8	<p>CH4UV: 0 = ALERT for undervoltage on Channel 4 is not enabled 1 = ALERT for undervoltage on Channel 4 is enabled</p>
bit 7	<p>CH1OP: 0 = ALERT for overpower on Channel 1 is not enabled 1 = ALERT for overpower on Channel 1 is enabled</p>
bit 6	<p>CH2OP: 0 = ALERT for overpower on Channel 2 is not enabled 1 = ALERT for overpower on Channel 2 is enabled</p>
bit 5	<p>CH3OP: 0 = ALERT for overpower on Channel 3 is not enabled 1 = ALERT for overpower on Channel 3 is enabled</p>
bit 4	<p>CH4OP: 0 = ALERT for overpower on Channel 4 is not enabled 1 = ALERT for overpower on Channel 4 is enabled</p>
bit 3	<p>ACC_OVF: This bit signals when the Accumulator for any channel overflows or exceeds its fullness limit specified in Register 7-23. 0 = No Accumulator full related ALERT for any channel 1 = ALERT triggered by Accumulator fullness limit exceeded for one or more channels</p>
bit 2	<p>ACC_COUNT: This bit signals when the Accumulator Count for any channel overflows or exceeds its fullness limit specified in Register 7-23. 0 = No Accumulator full related ALERT 1 = ALERT triggered by Accumulator Count fullness limit exceeded</p>
bit 1	<p>ALERT_CC2: Setting this bit to '1' causes the <u>GPIO/ALERT2</u> pin to be asserted for 5 μs at the end of each conversion cycle. This pin must be configured as an ALERT pin for this function to trigger the <u>GPIO/ALERT2</u> pin. The SLOW function is not available on this pin when the pin is used as an ALERT pin. See Section 5.16.1, "ALERT after Complete Conversion". 0 = No ALERT on <u>GPIO/ALERT2</u> pin at each conversion cycle complete event 1 = ALERT function on <u>GPIO/ALERT2</u> pin asserted for 5 μs on each completion of the conversion cycle</p>
bit 0	Unimplemented, read as '0'.

PAC195X

REGISTER 7-23: ACC FULLNESS LIMITS (29H) REGISTER

R/W-0	R/W-1	R/W-0	R/W-1	R/W-0	R/W-1	R/W-0	R/W-1
CH1 ACC FULL[1:0]		CH2 ACC FULL[1:0]		CH3 ACC FULL[1:0]		CH4 ACC FULL[1:0]	
bit 15						bit 8	

R/W-0	R/W-1	U-0	U-0	U-0	U-0	U-0	U-0
ACC COUNT FULL[1:0]		—	—	—	—	—	—
bit 7						bit 0	

Legend:

R = Readable bit

W = Writable bit

U = Unimplemented bit, read as '0'

-n = Value at POR

'1' = Bit is set

'0' = Bit is cleared

x = Bit is unknown

These limits are used to set a limit for how full the Accumulators and Accumulator Count registers can be before the Accumulator Full and Accumulator Count full limits are tripped. This allows an ALERT to be registered when the Accumulator and Accumulator Count are approaching 100% full. Disable ALERTs in [Register 7-34](#) before changing the value to avoid false triggers.

bit 15-14 **CH1 ACC FULL[1:0]:** Fullness limit for the Channel 1 Accumulator:

00 = Full
 01 = 15/16 full (default)
 10 = 7/8 full
 11 = 3/4 full

bit 13-12 **CH2 ACC FULL[1:0]:** Fullness limit for the Channel 2 Accumulator:

00 = Full
 01 = 15/16 full (default)
 10 = 7/8 full
 11 = 3/4 full

bit 11-10 **CH3 ACC FULL[1:0]:** Fullness limit for the Channel 3 Accumulator:

00 = Full
 01 = 15/16 full (default)
 10 = 7/8 full
 11 = 3/4 full

bit 9-8 **CH4 ACC FULL[1:0]:** Fullness limit for the Channel 4 Accumulator:

00 = Full
 01 = 15/16 full (default)
 10 = 7/8 full
 11 = 3/4 full

bit 7-6 **ACC COUNT FULL[1:0]:** Fullness limit for the Accumulator Count register:

00 = Full
 01 = 15/16 full (default)
 10 = 7/8 full
 11 = 3/4 full

bit 5-0 Unimplemented, read as '0'.

REGISTER 7-24: OC LIMITN (30H-33H) REGISTER

R/W-0	R/W-0	R/W-0	R/W-0	R/W-0	R/W-0	R/W-0	R/W-0
OC LIMIT[15:8]							
bit 15				bit 8			

R/W-0	R/W-0	R/W-0	R/W-0	R/W-0	R/W-0	R/W-0	R/W-0
OC LIMIT[7:0]							
bit 7				bit 0			

Legend:

R = Readable bit	W = Writable bit	U = Unimplemented bit, read as '0'
-n = Value at POR	'1' = Bit is set	'0' = Bit is cleared x = Bit is unknown

bit 15-0 **OC LIMIT[15:0]:** Overcurrent (OC) limit for each channel. This limit is a two's complement number for all modes. Disable ALERTs in [Register 7-34](#) before changing the value to avoid false triggers. Each channel has its own limit and addressable register. Address 30h determines the limit for Channel 1, 33h for Channel 4.

REGISTER 7-25: UC LIMITN (34H-37H) REGISTER

R/W-0	R/W-0	R/W-0	R/W-0	R/W-0	R/W-0	R/W-0	R/W-0
UC LIMIT[15:8]							
bit 15				bit 8			

R/W-0	R/W-0	R/W-0	R/W-0	R/W-0	R/W-0	R/W-0	R/W-0
UC LIMIT[7:0]							
bit 7				bit 0			

Legend:

R = Readable bit	W = Writable bit	U = Unimplemented bit, read as '0'
-n = Value at POR	'1' = Bit is set	'0' = Bit is cleared x = Bit is unknown

bit 15-0 **UC LIMIT[15:0]:** Undercurrent (UC) limit for each channel. This limit is a two's complement number for all modes. Disable ALERTs in [Register 7-34](#) before changing the value to avoid false triggers. Each channel has its own limit and addressable register. Address 34h determines the limit for Channel 1, 37h for Channel 4.

PAC195X

REGISTER 7-26: OP LIMITN (38H-3BH) REGISTER

R/W-0	R/W-0	R/W-0	R/W-0	R/W-0	R/W-0	R/W-0	R/W-0
OP LIMIT[23:16]							
bit 23							bit 16

R/W-0	R/W-0	R/W-0	R/W-0	R/W-0	R/W-0	R/W-0	R/W-0
OP LIMIT[15:8]							
bit 15							bit 8

R/W-0	R/W-0	R/W-0	R/W-0	R/W-0	R/W-0	R/W-0	R/W-0
OP LIMIT[7:0]							
bit 7							bit 0

Legend:

R = Readable bit

W = Writable bit

U = Unimplemented bit, read as '0'

-n = Value at POR

'1' = Bit is set

'0' = Bit is cleared

x = Bit is unknown

bit 23-0

OP LIMIT[23:0]: Overpower (OP) limit for each channel. This limit is a two's complement number for all modes. These 24 bits correspond to the upper 24 MSBs in the V_{POWER} number. The OP limit (only is magnitude based, an OP trigger occurs when the result is more positive or more negative than the limit. Disable ALERTs in [Register 7-34](#) before changing the value to avoid false triggers. Each channel has its own limit and addressable register. Address 38h determines the limit for Channel 1, 3Bh for Channel 4.

REGISTER 7-27: OV LIMITN (3CH-3FH) REGISTER

R/W-0	R/W-0	R/W-0	R/W-0	R/W-0	R/W-0	R/W-0	R/W-0
OV LIMIT[15:8]							
bit 15							bit 8

R/W-0	R/W-0	R/W-0	R/W-0	R/W-0	R/W-0	R/W-0	R/W-0
OV LIMIT[7:0]							
bit 7							bit 0

Legend:

R = Readable bit

W = Writable bit

U = Unimplemented bit, read as '0'

-n = Value at POR

'1' = Bit is set

'0' = Bit is cleared

x = Bit is unknown

bit 15-0

OV LIMIT[15:0]: Overvoltage (OV) limit for each channel. This limit is a two's complement number for all modes. Disable ALERTs in [Register 7-34](#) before changing the value to avoid false triggers. Each channel has its own limit and addressable register. Address 3Ch determines the limit for Channel 1, 3Fh for Channel 4.

REGISTER 7-28: UV LIMITN (40H-43H) REGISTER

R/W-0	R/W-0	R/W-0	R/W-0	R/W-0	R/W-0	R/W-0	R/W-0
UV LIMIT[15:8]							
bit 15				bit 8			

R/W-0	R/W-0	R/W-0	R/W-0	R/W-0	R/W-0	R/W-0	R/W-0
UV LIMIT[7:0]							
bit 7				bit 0			

Legend:

R = Readable bit

W = Writable bit

U = Unimplemented bit, read as '0'

-n = Value at POR

'1' = Bit is set

'0' = Bit is cleared

x = Bit is unknown

bit 15-0

UV LIMIT[15:0]: Undervoltage (UV) limit for each channel. This limit is a two's complement number for all modes. Disable ALERTs in [Register 7-34](#) before changing the value to avoid false triggers. Each channel has its own limit and addressable register. Address 40h determines the limit for Channel 1, 43h for Channel 4.

PAC195X

REGISTER 7-29: OC LIMIT NSAMPLES (44H) REGISTER

R/W-0	R/W-0	R/W-0	R/W-0	R/W-0	R/W-0	R/W-0	R/W-0
NSAMPLES OC CH1[1:0]		NSAMPLES OC CH2[1:0]		NSAMPLES OC CH3[1:0]		NSAMPLES OC CH4[1:0]	
bit 7							bit 0

Legend:

R = Readable bit

W = Writable bit

U = Unimplemented bit, read as '0'

-n = Value at POR

'1' = Bit is set

'0' = Bit is cleared

x = Bit is unknown

Number of consecutive samples exceeding the overcurrent limit that are required to trigger the ALERT function for each channel. The default is 1 sample (00). The sample counter is not reset until a conversion is completed to confirm that the ALERT condition is no longer present. A single conversion immediately after the ALERT is cleared will reset the ALERT. Disable ALERTs in [Register 7-34](#) before changing the value to avoid false triggers.

bit 7-6 **NSAMPLES OC CH1[1:0]**: Consecutive sample count to trigger the OC ALERT for Channel 1

00 = 1 (default)

01 = 4 samples

10 = 8 samples

11 = 16

bit 5-4 **NSAMPLES OC CH2[1:0]**: Consecutive sample count to trigger the OC ALERT for Channel 2

00 = 1 (default)

01 = 4 samples

10 = 8 samples

11 = 16

bit 3-2 **NSAMPLES OC CH3[1:0]**: Consecutive sample count to trigger the OC ALERT for Channel 3

00 = 1 (default)

01 = 4 samples

10 = 8 samples

11 = 16

bit 1-0 **NSAMPLES OC CH4[1:0]**: Consecutive sample count to trigger the OC ALERT for Channel 4

00 = 1 (default)

01 = 4 samples

10 = 8 samples

11 = 16

REGISTER 7-30: UC LIMIT NSAMPLES (45H) REGISTER

R/W-0	R/W-0	R/W-0	R/W-0	R/W-0	R/W-0	R/W-0	R/W-0
NSAMPLES UC CH1[1:0]		NSAMPLES UC CH2[1:0]		NSAMPLES UC CH3[1:0]		NSAMPLES UC CH4[1:0]	
bit 7							bit 0

Legend:

R = Readable bit
-n = Value at POR

W = Writable bit
'1' = Bit is set

U = Unimplemented bit, read as '0'
'0' = Bit is cleared
x = Bit is unknown

Number of consecutive samples exceeding the undercurrent limit that are required to trigger the ALERT function for each channel. The default is 1. Disable ALERTs in [Register 7-34](#) before changing the value to avoid false triggers.

bit 7-6 **NSAMPLES UC CH1[1:0]**: Consecutive sample count to trigger the UC ALERT for Channel 1
 00 = 1 (default)
 01 = 4 samples
 10 = 8 samples
 11 = 16

bit 5-4 **NSAMPLES UC CH2[1:0]**: Consecutive sample count to trigger the UC ALERT for Channel 2
 00 = 1 (default)
 01 = 4 samples
 10 = 8 samples
 11 = 16

bit 3-2 **NSAMPLES UC CH3[1:0]**: Consecutive sample count to trigger the UC ALERT for Channel 3
 00 = 1 (default)
 01 = 4 samples
 10 = 8 samples
 11 = 16

bit 1-0 **NSAMPLES UC CH4[1:0]**: Consecutive sample count to trigger the UC ALERT for Channel 4
 00 = 1 (default)
 01 = 4 samples
 10 = 8 samples
 11 = 16

PAC195X

REGISTER 7-31: OP LIMIT NSAMPLES (46H) REGISTER

R/W-0	R/W-0	R/W-0	R/W-0	R/W-0	R/W-0	R/W-0	R/W-0
NSAMPLES OP CH1[1:0]		NSAMPLES OP CH2[1:0]		NSAMPLES OP CH3[1:0]		NSAMPLES OP CH4[1:0]	
bit 7							bit 0

Legend:

R = Readable bit

W = Writable bit

U = Unimplemented bit, read as '0'

-n = Value at POR

'1' = Bit is set

'0' = Bit is cleared

x = Bit is unknown

Number of consecutive samples exceeding the overpower limit that are required to trigger the ALERT function for each channel. The default is 1. Disable ALERTs in [Register 7-34](#) before changing the value to avoid false triggers.

bit 7-6 **NSAMPLES OP CH1[1:0]**: Consecutive sample count to trigger the OP ALERT for Channel 1

00 = 1 (default)

01 = 4 samples

10 = 8 samples

11 = 16

bit 5-4 **NSAMPLES OP CH2[1:0]**: Consecutive sample count to trigger the OP ALERT for Channel 2

00 = 1 (default)

01 = 4 samples

10 = 8 samples

11 = 16

bit 3-2 **NSAMPLES OP CH3[1:0]**: Consecutive sample count to trigger the OP ALERT for Channel 3

00 = 1 (default)

01 = 4 samples

10 = 8 samples

11 = 16

bit 1-0 **NSAMPLES OP CH4[1:0]**: Consecutive sample count to trigger the OP ALERT for Channel 4

00 = 1 (default)

01 = 4 samples

10 = 8 samples

11 = 16

REGISTER 7-32: OV LIMIT NSAMPLES (47H) REGISTER

R/W-0	R/W-0	R/W-0	R/W-0	R/W-0	R/W-0	R/W-0	R/W-0
NSAMPLES OV CH1[1:0]		NSAMPLES OV CH2[1:0]		NSAMPLES OV CH3[1:0]		NSAMPLES OV CH4[1:0]	
bit 7							bit 0

Legend:

R = Readable bit

W = Writable bit

U = Unimplemented bit, read as '0'

-n = Value at POR

'1' = Bit is set

'0' = Bit is cleared

x = Bit is unknown

Number of consecutive samples exceeding the overvoltage limit that are required to trigger the ALERT function for each channel. The default is 1. Disable ALERTs in [Register 7-34](#) before changing the value to avoid false triggers.

bit 7-6 **NSAMPLES OV CH1[1:0]**: Consecutive sample count to trigger the OV ALERT for Channel 1

00 = 1 (default)

01 = 4 samples

10 = 8 samples

11 = 16

bit 5-4 **NSAMPLES OV CH2[1:0]**: Consecutive sample count to trigger the OV ALERT for Channel 2

00 = 1 (default)

01 = 4 samples

10 = 8 samples

11 = 16

bit 3-2 **NSAMPLES OV CH3[1:0]**: Consecutive sample count to trigger the OV ALERT for Channel 3

00 = 1 (default)

01 = 4 samples

10 = 8 samples

11 = 16

bit 1-0 **NSAMPLES OV CH4[1:0]**: Consecutive sample count to trigger the OV ALERT for Channel 4

00 = 1 (default)

01 = 4 samples

10 = 8 samples

11 = 16

PAC195X

REGISTER 7-33: UV LIMIT NSAMPLES (48H) REGISTER

R/W-0	R/W-0	R/W-0	R/W-0	R/W-0	R/W-0	R/W-0	R/W-0
NSAMPLES UV CH1[1:0]		NSAMPLES UV CH2[1:0]		NSAMPLES UV CH3[1:0]		NSAMPLES UV CH4[1:0]	
bit 7							bit 0

Legend:

R = Readable bit

W = Writable bit

U = Unimplemented bit, read as '0'

-n = Value at POR

'1' = Bit is set

'0' = Bit is cleared

x = Bit is unknown

Number of consecutive samples exceeding the undervoltage limit that are required to trigger the ALERT function for each channel. The default is 1. Disable ALERTs in [Register 7-34](#) before changing the value to avoid false triggers.

bit 7-6 **NSAMPLES UV CH1[1:0]**: Consecutive sample count to trigger the UV ALERT for Channel 1

00 = 1 (default)

01 = 4 samples

10 = 8 samples

11 = 16

bit 5-4 **NSAMPLES UV CH2[1:0]**: Consecutive sample count to trigger the UV ALERT for Channel 2

00 = 1 (default)

01 = 4 samples

10 = 8 samples

11 = 16

bit 3-2 **NSAMPLES UV CH3[1:0]**: Consecutive sample count to trigger the UV ALERT for Channel 3

00 = 1 (default)

01 = 4 samples

10 = 8 samples

11 = 16

bit 1-0 **NSAMPLES UV CH4[1:0]**: Consecutive sample count to trigger the UV ALERT for Channel 4

00 = 1 (default)

01 = 4 samples

10 = 8 samples

11 = 16

REGISTER 7-34: ALERT ENABLE (49H) REGISTER

RW-0	RW-0	RW-0	RW-0	RW-0	RW-0	RW-0	RW-0
CH1OC	CH2OC	CH3OC	CH4OC	CH1UC	CH2UC	CH3UC	CH4UC
bit 23							bit 16

RW-0	RW-0	RW-0	RW-0	RW-0	RW-0	RW-0	RW-0
CH1OV	CH2OV	CH3OV	CH4OV	CH1UV	CH2UV	CH3UV	CH4UV
bit 15							bit 8

RW-0	RW-0	RW-0	RW-0	RW-0	RW-0	RW-0	U-0
CH1OP	CH2OP	CH3OP	CH4OP	ACC_OVF	ACC_COUNT	ALERT_CC	—
bit 7							bit 0

Legend:

R = Readable bit	W = Writable bit	U = Unimplemented bit, read as '0'
-n = Value at POR	'1' = Bit is set	'0' = Bit is cleared x = Bit is unknown

Write to these bits to enable ALERT functions. See [Section 5.16.4, "ALERT Functionality – Voltage, Current and Power"](#). To enable OC, UC, OP, OV, UV ALERTs, write '1' to the appropriate bit. ALERTs must be enabled in this register before they can be routed to an ALERT pin. Disable ALERTs in this register before modifying any of the various limits in [Register 7-24](#), [Register 7-25](#), [Register 7-26](#), [Register 7-27](#), [Register 7-28](#) to avoid false triggers. A REFRESH (or REFRESH_V/G) is required to activate the enabled ALERTs.

bit 23	CH1OC: 0 = ALERT for overcurrent on Channel 1 is disabled 1 = ALERT for overcurrent on Channel 1 is enabled
bit 22	CH2OC: 0 = ALERT for overcurrent on Channel 2 is disabled 1 = ALERT for overcurrent on Channel 2 is enabled
bit 21	CH3OC: 0 = ALERT for overcurrent on Channel 3 is disabled 1 = ALERT for overcurrent on Channel 3 is enabled
bit 20	CH4OC: 0 = ALERT for overcurrent on Channel 4 is disabled 1 = ALERT for overcurrent on Channel 4 is enabled
bit 19	CH1UC: 0 = ALERT for undercurrent on Channel 1 is disabled 1 = ALERT for undercurrent on Channel 1 is enabled
bit 18	CH2UC: 0 = ALERT for undercurrent on Channel 2 is disabled 1 = ALERT for undercurrent on Channel 2 is enabled
bit 17	CH3UC: 0 = ALERT for undercurrent on Channel 3 is disabled 1 = ALERT for undercurrent on Channel 3 is enabled
bit 16	CH4UC: 0 = ALERT for undercurrent on Channel 4 is disabled 1 = ALERT for undercurrent on Channel 4 is enabled

PAC195X

REGISTER 7-34: ALERT ENABLE (49H) REGISTER (CONTINUED)

bit 15	CH1OV: 0 = ALERT for overvoltage on Channel 1 is disabled 1 = ALERT for overvoltage on Channel 1 is enabled
bit 14	CH2OV: 0 = ALERT for overvoltage on Channel 2 is disabled 1 = ALERT for overvoltage on Channel 2 is enabled
bit 13	CH3OV: 0 = ALERT for overvoltage on Channel 3 is disabled 1 = ALERT for overvoltage on Channel 3 is enabled
bit 12	CH4OV: 0 = ALERT for overvoltage on Channel 4 is disabled 1 = ALERT for overvoltage on Channel 4 is enabled
bit 11	CH1UV: 0 = ALERT for undervoltage on Channel 1 is disabled 1 = ALERT for undervoltage on Channel 1 is enabled
bit 10	CH2UV: 0 = ALERT for undervoltage on Channel 2 is disabled 1 = ALERT for undervoltage on Channel 2 is enabled
bit 9	CH3UV: 0 = ALERT for undervoltage on Channel 3 is disabled 1 = ALERT for undervoltage on Channel 3 is enabled
bit 8	CH4UV: 0 = ALERT for undervoltage on Channel 4 is disabled 1 = ALERT for undervoltage on Channel 4 is enabled
bit 7	CH1OP: 0 = ALERT for overpower on Channel 1 is disabled 1 = ALERT for overpower on Channel 1 is enabled
bit 6	CH2OP: 0 = ALERT for overpower on Channel 2 is disabled 1 = ALERT for overpower on Channel 2 is enabled
bit 5	CH3OP: 0 = ALERT for overpower on Channel 3 is disabled 1 = ALERT for overpower on Channel 3 is enabled
bit 4	CH4OP: 0 = ALERT for overpower on Channel 4 is disabled 1 = ALERT for overpower on Channel 4 is enabled
bit 3	ACC_OVF: 0 = ALERT for Accumulator fullness limit exceeded is disabled 1 = ALERT for Accumulator fullness limit exceeded for one or more channels is enabled
bit 2	ACC_COUNT: 0 = ALERT for Accumulator Count fullness is disabled 1 = ALERT for Accumulator Count fullness limit exceeded is enabled
bit 1	ALERT_CC: 0 = ALERT for Conversion Cycle Complete is disabled 1 = ALERT for Conversion Cycle Complete is enabled
bit 0	Unimplemented, read as '0'.

REGISTER 7-35: ACCUM CONFIG ACT (4AH) REGISTER

R/W-0	R/W-0	R/W-0	R/W-0	R/W-0	R/W-0	R/W-0	R/W-0
ACC1_CONFIG[1:0]		ACC2_CONFIG[1:0]		ACC3_CONFIG[1:0]		ACC4_CONFIG[1:0]	
bit 7							bit 0

Legend:

R = Readable bit

W = Writable bit

U = Unimplemented bit, read as '0'

-n = Value at POR

'1' = Bit is set

'0' = Bit is cleared

x = Bit is unknown

This register contains an image of [Register 7-19](#) and reflects the current active values of these settings, whereas the values in register 25h may be programmed but not activated by one of the REFRESH commands. This register allows software to determine the actual active settings.

- bit 7-6 **ACC1_CONFIG[1:0]**: Configure the accumulator for Channel 1 to accumulate V_{POWER} (default), V_{SENSE} or V_{BUS} .
 00 = Channel 1 Accumulator accumulates V_{POWER}
 01 = Channel 1 Accumulator accumulates V_{SENSE}
 10 = Channel 1 Accumulator accumulates V_{BUS}
 11 = Reserved, read as '0'.
- bit 5-4 **ACC2_CONFIG[1:0]**: Configure the accumulator for Channel 2 to accumulate V_{POWER} (default), V_{SENSE} or V_{BUS} .
 00 = Channel 2 Accumulator accumulates V_{POWER}
 01 = Channel 2 Accumulator accumulates V_{SENSE}
 10 = Channel 2 Accumulator accumulates V_{BUS}
 11 = Reserved, read as '0'.
- bit 3-2 **ACC3_CONFIG[1:0]**: Configure the accumulator for Channel 3 to accumulate V_{POWER} (default), V_{SENSE} or V_{BUS} .
 00 = Channel 3 Accumulator accumulates V_{POWER}
 01 = Channel 3 Accumulator accumulates V_{SENSE}
 10 = Channel 3 Accumulator accumulates V_{BUS}
 11 = Reserved, read as '0'.
- bit 1-0 **ACC4_CONFIG[1:0]**: Configure the accumulator for Channel 4 to accumulate V_{POWER} (default), V_{SENSE} or V_{BUS} .
 00 = Channel 4 Accumulator accumulates V_{POWER}
 01 = Channel 4 Accumulator accumulates V_{SENSE}
 10 = Channel 4 Accumulator accumulates V_{BUS}
 11 = Reserved, read as '0'.

PAC195X

REGISTER 7-36: ACCUM CONFIG LAT (4BH) REGISTER

R/W-0	R/W-0	R/W-0	R/W-0	R/W-0	R/W-0	R/W-0	R/W-0
ACC1_CONFIG[1:0]		ACC2_CONFIG[1:0]		ACC3_CONFIG[1:0]		ACC4_CONFIG[1:0]	
bit 7							bit 0

Legend:

R = Readable bit

W = Writable bit

U = Unimplemented bit, read as '0'

-n = Value at POR

'1' = Bit is set

'0' = Bit is cleared

x = Bit is unknown

This register contains an image of [Register 7-19](#). The bits in this register reflect the value of these settings that were active before the most recent REFRESH command (including REFRESH_V and/of REFRESH_G). The values in register 25h may be programmed but not activated by one of the REFRESH commands and the values in register 4Ah are currently active. This register allows software to determine the actual setting that was active prior to the most recent REFRESH command and, therefore, corresponds to the dataset that is held in the readable registers. This register is valid when the results registers are valid, 1 ms after a REFRESH/_V/_G command.

- bit 7-6 **ACC1_CONFIG[1:0]**: Configure the accumulator for Channel 1 to accumulate V_{POWER} (default), V_{SENSE} or V_{BUS} .
00 = Channel 1 Accumulator accumulates V_{POWER}
01 = Channel 1 Accumulator accumulates V_{SENSE}
10 = Channel 1 Accumulator accumulates V_{BUS}
11 = Reserved, read as '0'.
- bit 5-4 **ACC2_CONFIG[1:0]**: Configure the accumulator for Channel 2 to accumulate V_{POWER} (default), V_{SENSE} or V_{BUS} .
00 = Channel 2 Accumulator accumulates V_{POWER}
01 = Channel 2 Accumulator accumulates V_{SENSE}
10 = Channel 2 Accumulator accumulates V_{BUS}
11 = Reserved, read as '0'.
- bit 3-2 **ACC3_CONFIG[1:0]**: Configure the accumulator for Channel 3 to accumulate V_{POWER} (default), V_{SENSE} or V_{BUS} .
00 = Channel 3 Accumulator accumulates V_{POWER}
01 = Channel 3 Accumulator accumulates V_{SENSE}
10 = Channel 3 Accumulator accumulates V_{BUS}
11 = Reserved, read as '0'.
- bit 1-0 **ACC4_CONFIG[1:0]**: Configure the accumulator for Channel 4 to accumulate V_{POWER} (default), V_{SENSE} or V_{BUS} .
00 = Channel 4 Accumulator accumulates V_{POWER}
01 = Channel 4 Accumulator accumulates V_{SENSE}
10 = Channel 4 Accumulator accumulates V_{BUS}
11 = Reserved, read as '0'.

REGISTER 7-37: PRODUCT ID (FDH) REGISTER

R-0	R-1	R-1	R-1	R-0	R-1	R-0	R-0
PID[7:0]							
bit 7							bit 0

Legend:

R = Readable bit	W = Writable bit	U = Unimplemented bit, read as '0'
-n = Value at POR	'1' = Bit is set	'0' = Bit is cleared x = Bit is unknown

bit 7-0 **PID[7:0]:** This register contains the Product ID for the PAC195X. These values depend on the part version:

```

0111_0001 for PAC1951-1
0111_0010 for PAC1952-1
0111_0011 for PAC1953-1
0111_0100 for PAC1954-1
0111_1001 for PAC1951-2
0111_1010 for PAC1952-2
  
```

REGISTER 7-38: MANUFACTURER ID (FEH) REGISTER

R-0	R-1	R-0	R-1	R-0	R-1	R-0	R-0
MID[7:0]							
bit 7							bit 0

Legend:

R = Readable bit	W = Writable bit	U = Unimplemented bit, read as '0'
-n = Value at POR	'1' = Bit is set	'0' = Bit is cleared x = Bit is unknown

bit 7-0 **MID[7:0]:** The Manufacturer ID register identifies Microchip as the manufacturer of the PAC195X. This value is 54h.

REGISTER 7-39: REVISION ID (FFH) REGISTER

R-0	R-0	R-0	R-0	R-0	R-0	R-1	R-0
RID[7:0]							
bit 7							bit 0

Legend:

R = Readable bit	W = Writable bit	U = Unimplemented bit, read as '0'
-n = Value at POR	'1' = Bit is set	'0' = Bit is cleared x = Bit is unknown

bit 7-0 **RID[7:0]:** The Revision register identifies the die revision.
 0000 0010_b for the initial release.

PAC195X

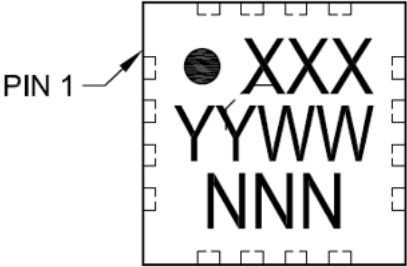
NOTES:

8.0 PACKAGING INFORMATION

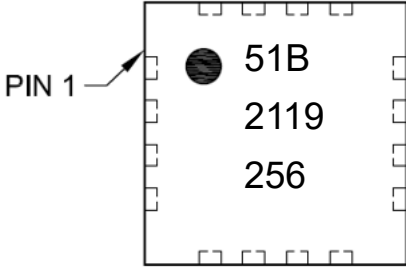
8.1 Package Marking Information

16-Lead VQFN, (3 x 3 mm)

Example:

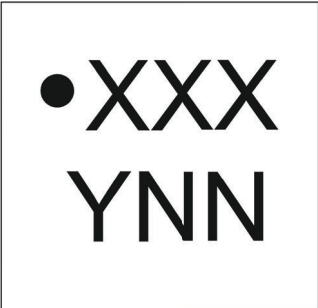


Part Number	Code
PAC1951T-1E/4MX	951
PAC1951T-2E/4MX	51B
PAC1952T-1E/4MX	952
PAC1952T-2E/4MX	52B
PAC1953T-E/4MX	953
PAC1954T-E/4MX	954

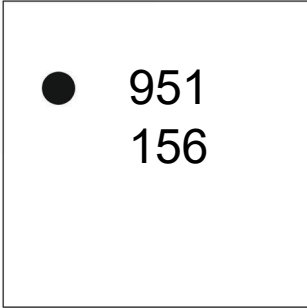


16-Lead WLCSP (2.225 x 2.17 mm)

Example:



Part Number	Code
PAC1951T-1E/J6CX	951
PAC1951T-2E/J6CX	51B
PAC1952T-1E/J6CX	952
PAC1952T-2E/J6CX	52B
PAC1953T-E/J6CX	953
PAC1954T-E/J6CX	954



Legend:

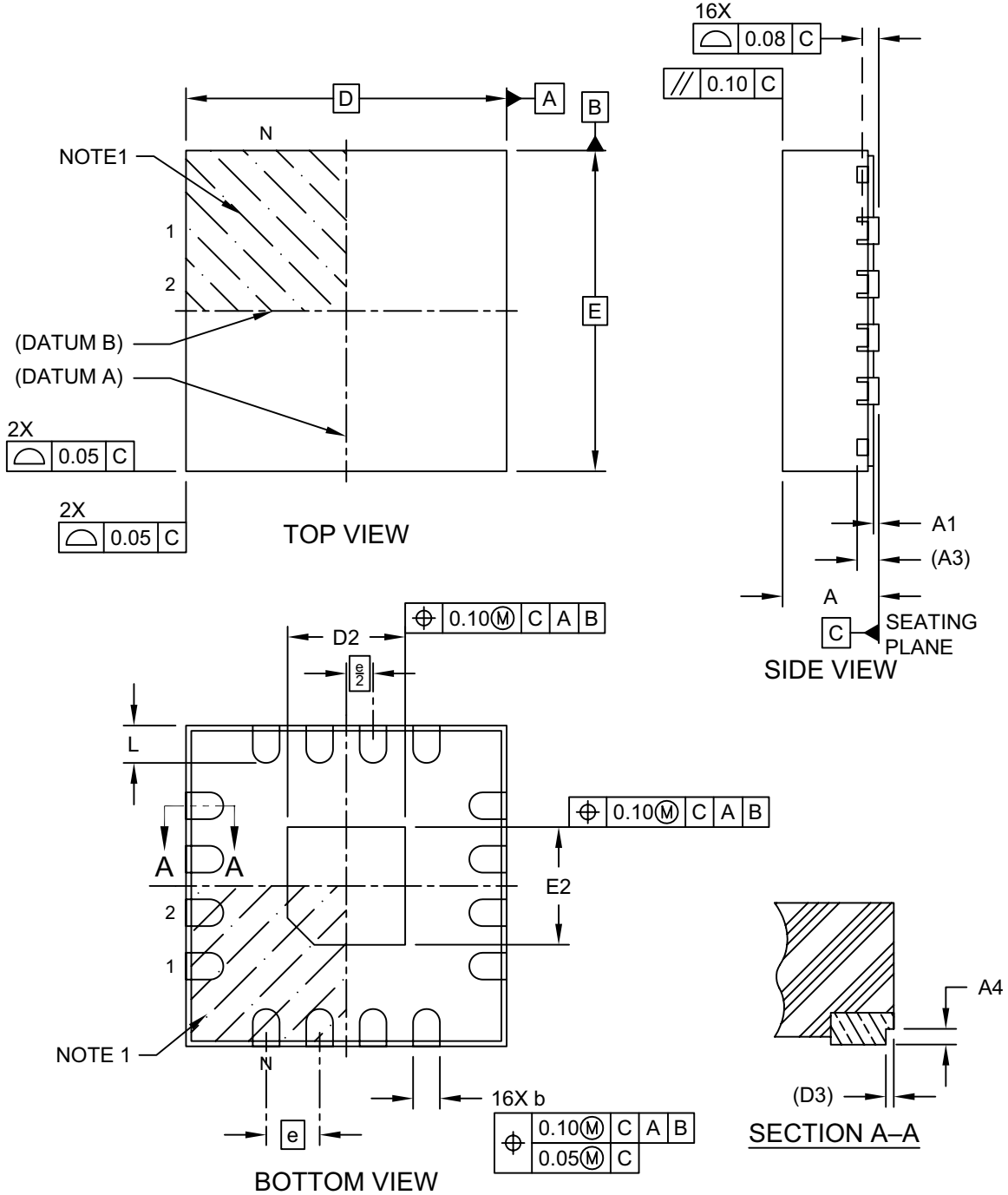
- XX...X Customer-specific information
- Y Year code (last digit of calendar year)
- YY Year code (last 2 digits of calendar year)
- WW Week code (week of January 1 is week '01')
- NNN Alphanumeric traceability code
- (e3) Pb-free JEDEC[®] designator for Matte Tin (Sn)
- * This package is Pb-free. The Pb-free JEDEC designator (e3) can be found on the outer packaging for this package.

Note: In the event the full Microchip part number cannot be marked on one line, it will be carried over to the next line, thus limiting the number of available characters for customer-specific information.

PAC195X

16-Lead Very Thin Quad Flat, No Lead Package (4MX) - 3x3x0.9 mm Body [VQFN] With 1.10 mm Exposed Pad and Stepped Wettable Flanks

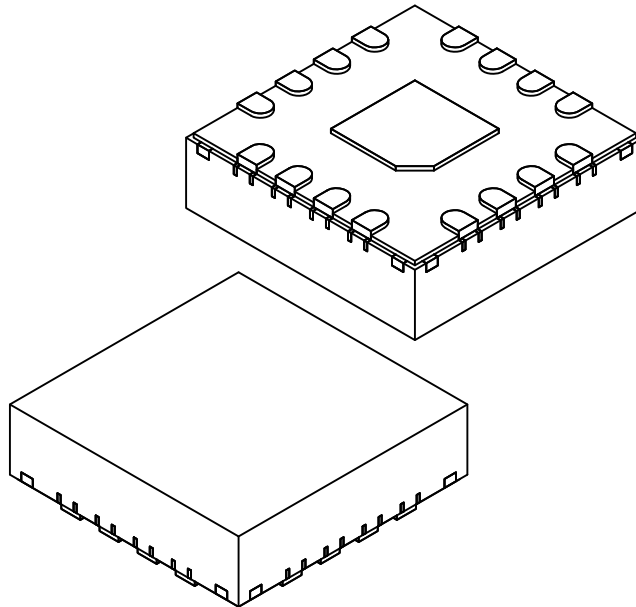
Note: For the most current package drawings, please see the Microchip Packaging Specification located at <http://www.microchip.com/packaging>



Microchip Technology Drawing C04-508 Rev A Sheet 1 of 2

16-Lead Very Thin Quad Flat, No Lead Package (4MX) - 3x3x0.9 mm Body [VQFN] With 1.10 mm Exposed Pad and Stepped Wettable Flanks

Note: For the most current package drawings, please see the Microchip Packaging Specification located at <http://www.microchip.com/packaging>



Dimension Limits	Units	MILLIMETERS		
		MIN	NOM	MAX
Number of Terminals	N	16		
Pitch	e	0.50 BSC		
Overall Height	A	0.80	0.85	0.90
Standoff	A1	0.00	0.02	0.05
Terminal Thickness	A3	0.203 REF		
Overall Length	D	3.00 BSC		
Exposed Pad Length	D2	1.00	1.10	1.20
Overall Width	E	3.00 BSC		
Exposed Pad Width	E2	1.00	1.10	1.20
Terminal Width	b	0.20	0.25	0.30
Terminal Length	L	0.25	0.35	0.45
Wettable Flank Step Length	D3	0.05 REF		
Wettable Flank Step Height	A4	0.10	-	0.19

Notes:

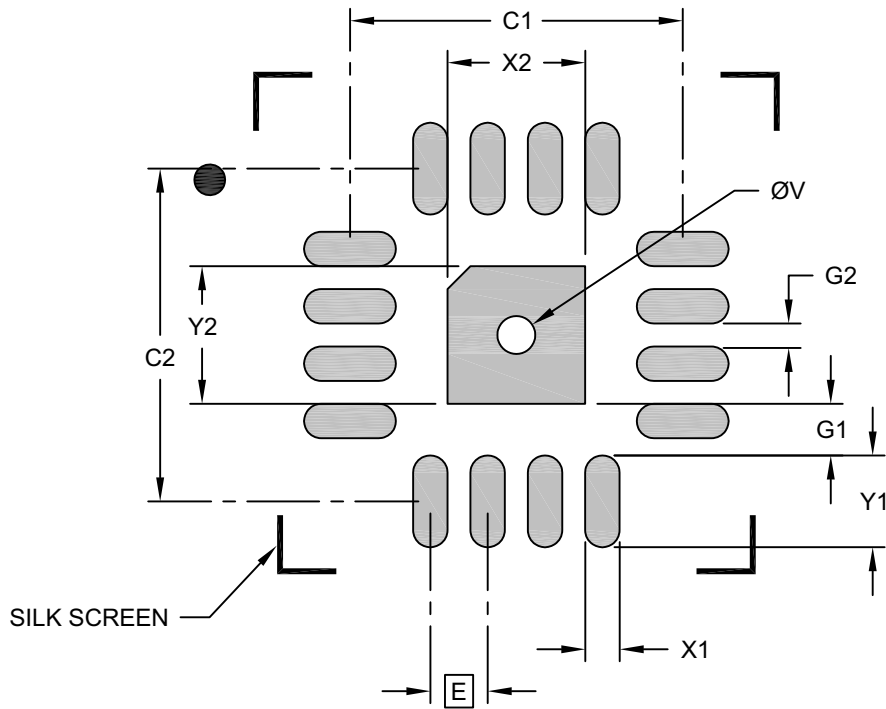
- Pin 1 visual index feature may vary, but must be located within the hatched area.
- Package is saw singulated
- Dimensioning and tolerancing per ASME Y14.5M
 BSC: Basic Dimension. Theoretically exact value shown without tolerances.
 REF: Reference Dimension, usually without tolerance, for information purposes only.

Microchip Technology Drawing C04-508 Rev A Sheet 2 of 2

PAC195X

16-Lead Very Thin Quad Flat, No Lead Package (4MX) - 3x3x0.9 mm Body [VQFN] With 1.10 mm Exposed Pad and Stepped Wettable Flanks

Note: For the most current package drawings, please see the Microchip Packaging Specification located at <http://www.microchip.com/packaging>



RECOMMENDED LAND PATTERN

Dimension Limits	Units	MILLIMETERS		
		MIN	NOM	MAX
Contact Pitch	E	0.50 BSC		
Optional Center Pad Width	X2			1.20
Optional Center Pad Length	Y2			1.20
Contact Pad Spacing	C1		2.90	
Contact Pad Spacing	C2		2.90	
Contact Pad Width (X16)	X1			0.30
Contact Pad Length (X16)	Y1			0.80
Contact Pad to Center Pad (X16)	G1	0.45		
Contact Pad to Contact Pad (X12)	G2	0.20		
Thermal Via Diameter	V		0.33	

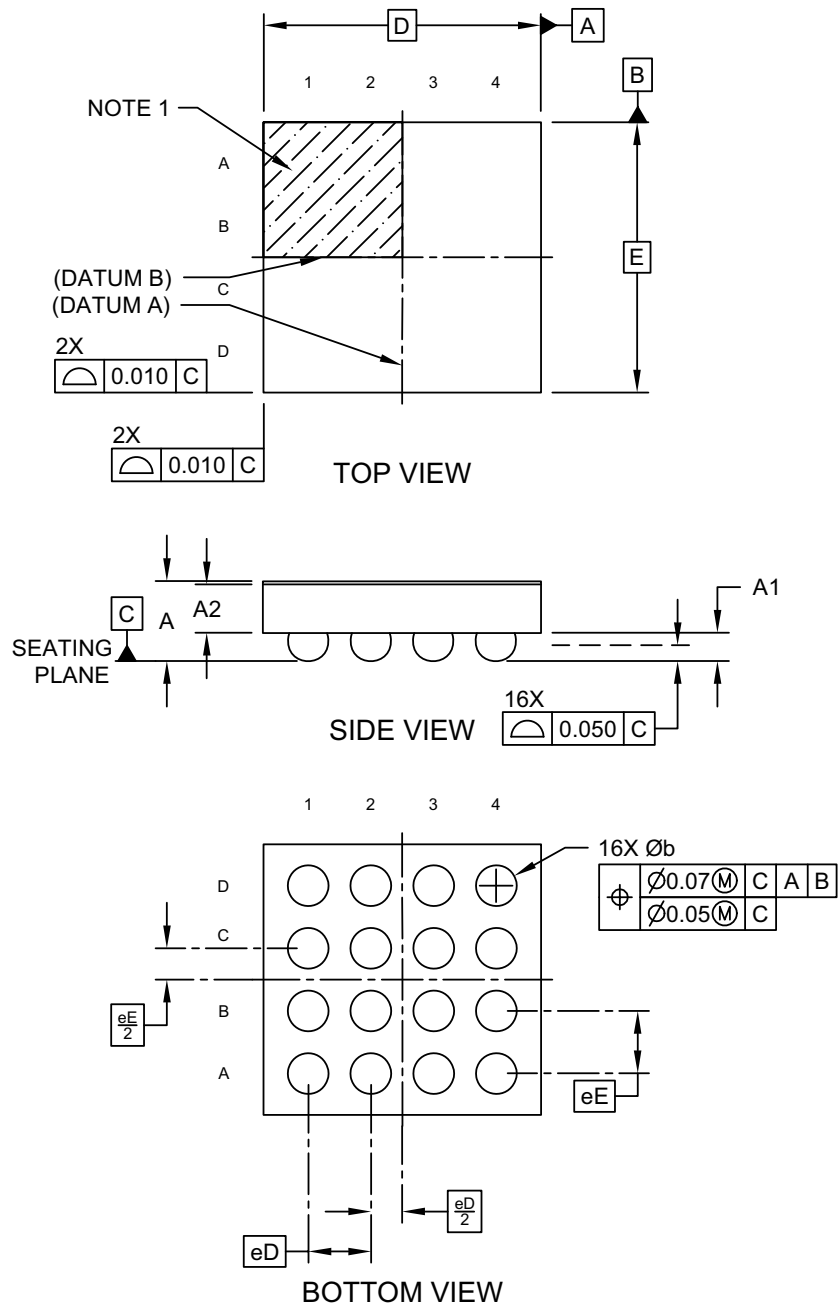
Notes:

- Dimensioning and tolerancing per ASME Y14.5M
BSC: Basic Dimension. Theoretically exact value shown without tolerances.
- For best soldering results, thermal vias, if used, should be filled or tented to avoid solder loss during reflow process

Microchip Technology Drawing C04-2508 Rev A

16-Ball Wafer Level Chip Scale Package (CS) - 2.225x2.17 mm Body [WLCSP]

Note: For the most current package drawings, please see the Microchip Packaging Specification located at <http://www.microchip.com/packaging>

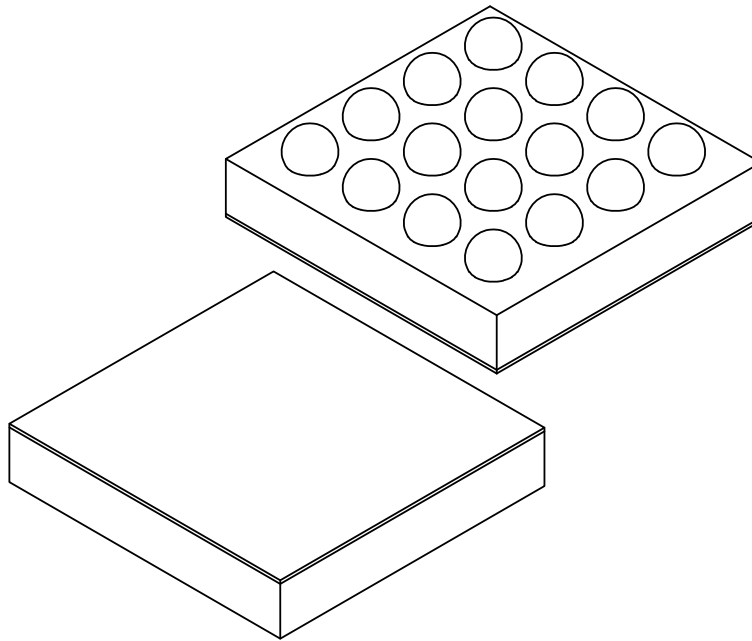


Microchip Technology Drawing C04-6036-01 Rev. C Sheet 1 of 2

PAC195X

16-Ball Wafer Level Chip Scale Package (CS) - 2.225x2.17 mm Body [WLCSP]

Note: For the most current package drawings, please see the Microchip Packaging Specification located at <http://www.microchip.com/packaging>



Dimension Limits	Units	MILLIMETERS		
		MIN	NOM	MAX
Bump Pitch	eD	0.50 BSC		
Bump Pitch	eE	0.50 BSC		
Length	D	2.225 BSC		
Width	E	2.170 BSC		
Overall Height	A	0.601	0.641	0.679
Bump Height	A1	0.197	-	0.257
Die Thickness	A2	0.363	0.388	0.413
Bump Diameter	b	0.297	0.327	0.357

Notes:

1. Topside A1 indicator is an engraved figure.
2. Under-fill is recommended for best solder joint reliability.
3. Solder diameter at interface to package body is 300 μ m (nominal).
4. Dimensioning and tolerancing per ASME Y14.5M

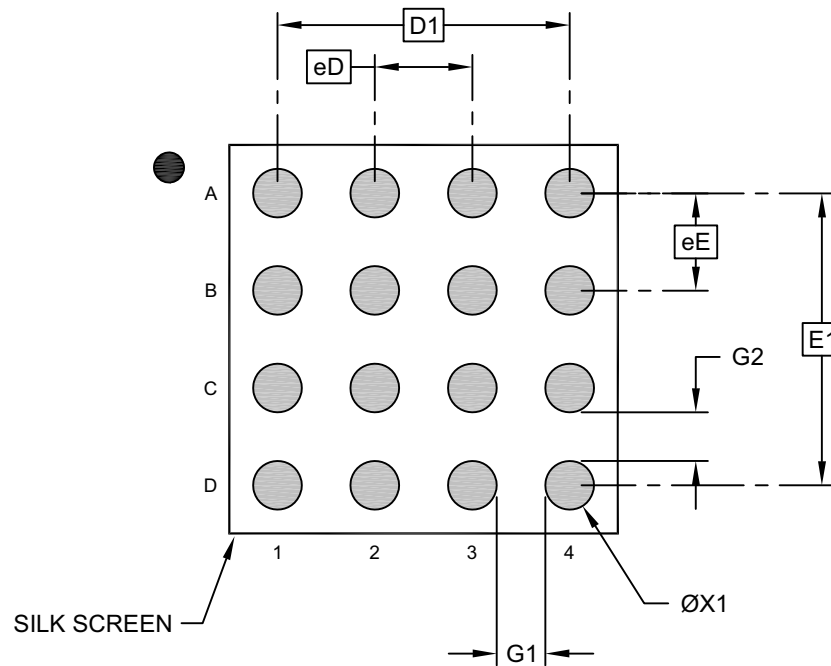
BSC: Basic Dimension. Theoretically exact value shown without tolerances.

REF: Reference Dimension, usually without tolerance, for information purposes only.

Microchip Technology Drawing C04-6036-01 Rev. C Sheet 2 of 2

16-Ball Wafer Level Chip Scale Package (CS) - 2.225x2.17 mm Body [WLCSP]

Note: For the most current package drawings, please see the Microchip Packaging Specification located at <http://www.microchip.com/packaging>



RECOMMENDED LAND PATTERN

Dimension Limits	Units	MILLIMETERS		
		MIN	NOM	MAX
Contact Pitch	eD		0.50 BSC	
Contact Pitch	eE		0.50 BSC	
Overall Pitch	D1		1.50 BSC	
Overall Pitch	E1		1.50 BSC	
Space Between Contacts	G1		0.25	
Space Between Contacts	G2		0.25	
Contact Diameter	ØX1		0.25	

Notes:

- Dimensioning and tolerancing per ASME Y14.5M
BSC: Basic Dimension. Theoretically exact value shown without tolerances.
- For best soldering results, thermal vias, if used, should be filled or tented to avoid solder loss during reflow process

Microchip Technology Drawing C04-8036-01 Rev. C

APPENDIX A: REVISION HISTORY

Revision A (June 2021)

- Initial release of this document.

Note: The I²C standard uses the terminology “Master” and “Slave”. The equivalent Microchip terminology used in this document is “Host” and “Client”, respectively.

NOTES:

PRODUCT IDENTIFICATION SYSTEM

To order or obtain information, e.g., on pricing or delivery, refer to the factory or the listed sales office.

PART NO.	X	-X	X	/XXX	
Device	Tape and Reel	Device Option	Temperature Range	Package	
Device:	PAC195X: Single/Multi-Channel Power Monitor with Accumulator (32V)				
Tape and Reel:	T	= Tape and Reel			
Device Option	1 ⁽²⁾	= High-Side Power Monitor			
	2 ⁽²⁾	= Low-Side Power Monitor			
Temperature Range:	E	= -40°C to +125°C (Extended)			
Package:	4MX	= 16-Lead Very Thin Quad Flat, No Lead Package, 3 mm x 3 mm (VQFN)			
	J6CX	= 16-Ball Wafer Level Chip Scale Package, 2.225 mm x 2.17 mm (WLCSP)			
Example:					
a) PAC1951T-1E/4MX: 16-lead 3 mm x 3 mm VQFN, Single-Channel, High-Side Power, Extended Temperature, Shipped in 120-piece, Tape and Reel					
b) PAC1954T-E/4MX: 16-lead 3 mm x 3 mm VQFN, Four-Channel, High-Side Power, Extended Temperature, Shipped in 3300-piece, Tape and Reel					
c) PAC1952T-2E/J6CX: 16-lead 2.225 mm x 2.17 mm WLCSP, Dual-Channel, Low-Side Power, Extended Temperature, Shipped in 5.000-piece, Tape and Reel					
d) PAC1953T-E/J6CX: 16-lead 2.225 mm x 2.17 mm WLCSP, Three-Channel, High-Side Power, Extended Temperature, Shipped in 5.000-piece, Tape and Reel					
Note 1: Tape and Reel identifier only appears in the catalog part number description. This identifier is used for ordering purposes and is not printed on the device package. Check with your Microchip Sales Office for package availability with the Tape and Reel option.					
2: Only appears on single and dual-channel devices. Other devices are high-side power only.					

PAC195X

NOTES:

Note the following details of the code protection feature on Microchip devices:

- Microchip products meet the specifications contained in their particular Microchip Data Sheet.
- Microchip believes that its family of products is secure when used in the intended manner and under normal conditions.
- There are dishonest and possibly illegal methods being used in attempts to breach the code protection features of the Microchip devices. We believe that these methods require using the Microchip products in a manner outside the operating specifications contained in Microchip's Data Sheets. Attempts to breach these code protection features, most likely, cannot be accomplished without violating Microchip's intellectual property rights.
- Microchip is willing to work with any customer who is concerned about the integrity of its code.
- Neither Microchip nor any other semiconductor manufacturer can guarantee the security of its code. Code protection does not mean that we are guaranteeing the product is "unbreakable." Code protection is constantly evolving. We at Microchip are committed to continuously improving the code protection features of our products. Attempts to break Microchip's code protection feature may be a violation of the Digital Millennium Copyright Act. If such acts allow unauthorized access to your software or other copyrighted work, you may have a right to sue for relief under that Act.

Information contained in this publication is provided for the sole purpose of designing with and using Microchip products. Information regarding device applications and the like is provided only for your convenience and may be superseded by updates. It is your responsibility to ensure that your application meets with your specifications.

THIS INFORMATION IS PROVIDED BY MICROCHIP "AS IS". MICROCHIP MAKES NO REPRESENTATIONS OR WARRANTIES OF ANY KIND WHETHER EXPRESS OR IMPLIED, WRITTEN OR ORAL, STATUTORY OR OTHERWISE, RELATED TO THE INFORMATION INCLUDING BUT NOT LIMITED TO ANY IMPLIED WARRANTIES OF NON-INFRINGEMENT, MERCHANTABILITY, AND FITNESS FOR A PARTICULAR PURPOSE OR WARRANTIES RELATED TO ITS CONDITION, QUALITY, OR PERFORMANCE.

IN NO EVENT WILL MICROCHIP BE LIABLE FOR ANY INDIRECT, SPECIAL, PUNITIVE, INCIDENTAL OR CONSEQUENTIAL LOSS, DAMAGE, COST OR EXPENSE OF ANY KIND WHATSOEVER RELATED TO THE INFORMATION OR ITS USE, HOWEVER CAUSED, EVEN IF MICROCHIP HAS BEEN ADVISED OF THE POSSIBILITY OR THE DAMAGES ARE FORESEEABLE. TO THE FULLEST EXTENT ALLOWED BY LAW, MICROCHIP'S TOTAL LIABILITY ON ALL CLAIMS IN ANY WAY RELATED TO THE INFORMATION OR ITS USE WILL NOT EXCEED THE AMOUNT OF FEES, IF ANY, THAT YOU HAVE PAID DIRECTLY TO MICROCHIP FOR THE INFORMATION. Use of Microchip devices in life support and/or safety applications is entirely at the buyer's risk, and the buyer agrees to defend, indemnify and hold harmless Microchip from any and all damages, claims, suits, or expenses resulting from such use. No licenses are conveyed, implicitly or otherwise, under any Microchip intellectual property rights unless otherwise stated.

Trademarks

The Microchip name and logo, the Microchip logo, Adaptec, AnyRate, AVR, AVR logo, AVR Freaks, BesTime, BitCloud, chipKIT, chipKIT logo, CryptoMemory, CryptoRF, dsPIC, FlashFlex, flexPWR, HELDO, IGL00, JukeBlox, KeeLoq, Kleer, LANCheck, LinkMD, maXStylus, maXTouch, MediaLB, megaAVR, Microsemi, Microsemi logo, MOST, MOST logo, MPLAB, OptoLyzer, PackeTime, PIC, picoPower, PICSTART, PIC32 logo, PolarFire, Prochip Designer, QTouch, SAM-BA, SenGenuity, SpyNIC, SST, SST Logo, SuperFlash, Symmetricom, SyncServer, Tachyon, TimeSource, tinyAVR, UNI/O, Vectron, and XMEGA are registered trademarks of Microchip Technology Incorporated in the U.S.A. and other countries.

AgileSwitch, APT, ClockWorks, The Embedded Control Solutions Company, EtherSynch, FlashTec, Hyper Speed Control, HyperLight Load, IntelliMOS, Libero, motorBench, mTouch, Powermite 3, Precision Edge, ProASIC, ProASIC Plus, ProASIC Plus logo, Quiet-Wire, SmartFusion, SyncWorld, Temux, TimeCesium, TimeHub, TimePictra, TimeProvider, WinPath, and ZL are registered trademarks of Microchip Technology Incorporated in the U.S.A.

Adjacent Key Suppression, AKS, Analog-for-the-Digital Age, Any Capacitor, AnyIn, AnyOut, Augmented Switching, BlueSky, BodyCom, CodeGuard, CryptoAuthentication, CryptoAutomotive, CryptoCompanion, CryptoController, dsPICDEM, dsPICDEM.net, Dynamic Average Matching, DAM, ECAN, Espresso T1S, EtherGREEN, IdealBridge, In-Circuit Serial Programming, ICSP, INICnet, Intelligent Paralleling, Inter-Chip Connectivity, JitterBlocker, maxCrypto, maxView, memBrain, Mindi, MiWi, MPASM, MPF, MPLAB Certified logo, MPLIB, MPLINK, MultiTRAK, NetDetach, Omniscient Code Generation, PICDEM, PICDEM.net, PICkit, PICtail, PowerSmart, PureSilicon, QMatrix, REAL ICE, Ripple Blocker, RTAX, RTG4, SAM-ICE, Serial Quad I/O, simpleMAP, SimpliPHY, SmartBuffer, SMART-I.S., storClad, SQI, SuperSwitcher, SuperSwitcher II, Switchtec, SynchroPHY, Total Endurance, TSHARC, USBCheck, VariSense, VectorBlox, VeriPHY, ViewSpan, WiperLock, XpressConnect, and ZENA are trademarks of Microchip Technology Incorporated in the U.S.A. and other countries.

SQTP is a service mark of Microchip Technology Incorporated in the U.S.A.

The Adaptec logo, Frequency on Demand, Silicon Storage Technology, and Symmcom are registered trademarks of Microchip Technology Inc. in other countries.

GestIC is a registered trademark of Microchip Technology Germany II GmbH & Co. KG, a subsidiary of Microchip Technology Inc., in other countries.

All other trademarks mentioned herein are property of their respective companies.

© 2021, Microchip Technology Incorporated, All Rights Reserved.

ISBN: 978-1-5224-8342-7

For information regarding Microchip's Quality Management Systems, please visit www.microchip.com/quality.



MICROCHIP

Worldwide Sales and Service

AMERICAS

Corporate Office
2355 West Chandler Blvd.
Chandler, AZ 85224-6199
Tel: 480-792-7200
Fax: 480-792-7277
Technical Support:
<http://www.microchip.com/support>
Web Address:
www.microchip.com

Atlanta

Duluth, GA
Tel: 678-957-9614
Fax: 678-957-1455

Austin, TX

Tel: 512-257-3370

Boston

Westborough, MA
Tel: 774-760-0087
Fax: 774-760-0088

Chicago

Itasca, IL
Tel: 630-285-0071
Fax: 630-285-0075

Dallas

Addison, TX
Tel: 972-818-7423
Fax: 972-818-2924

Detroit

Novi, MI
Tel: 248-848-4000

Houston, TX

Tel: 281-894-5983

Indianapolis

Noblesville, IN
Tel: 317-773-8323
Fax: 317-773-5453
Tel: 317-536-2380

Los Angeles

Mission Viejo, CA
Tel: 949-462-9523
Fax: 949-462-9608
Tel: 951-273-7800

Raleigh, NC

Tel: 919-844-7510

New York, NY

Tel: 631-435-6000

San Jose, CA

Tel: 408-735-9110
Tel: 408-436-4270

Canada - Toronto

Tel: 905-695-1980
Fax: 905-695-2078

ASIA/PACIFIC

Australia - Sydney
Tel: 61-2-9868-6733

China - Beijing
Tel: 86-10-8569-7000

China - Chengdu
Tel: 86-28-8665-5511

China - Chongqing
Tel: 86-23-8980-9588

China - Dongguan
Tel: 86-769-8702-9880

China - Guangzhou
Tel: 86-20-8755-8029

China - Hangzhou
Tel: 86-571-8792-8115

China - Hong Kong SAR
Tel: 852-2943-5100

China - Nanjing
Tel: 86-25-8473-2460

China - Qingdao
Tel: 86-532-8502-7355

China - Shanghai
Tel: 86-21-3326-8000

China - Shenyang
Tel: 86-24-2334-2829

China - Shenzhen
Tel: 86-755-8864-2200

China - Suzhou
Tel: 86-186-6233-1526

China - Wuhan
Tel: 86-27-5980-5300

China - Xian
Tel: 86-29-8833-7252

China - Xiamen
Tel: 86-592-2388138

China - Zhuhai
Tel: 86-756-3210040

ASIA/PACIFIC

India - Bangalore
Tel: 91-80-3090-4444

India - New Delhi
Tel: 91-11-4160-8631

India - Pune
Tel: 91-20-4121-0141

Japan - Osaka
Tel: 81-6-6152-7160

Japan - Tokyo
Tel: 81-3-6880-3770

Korea - Daegu
Tel: 82-53-744-4301

Korea - Seoul
Tel: 82-2-554-7200

Malaysia - Kuala Lumpur
Tel: 60-3-7651-7906

Malaysia - Penang
Tel: 60-4-227-8870

Philippines - Manila
Tel: 63-2-634-9065

Singapore
Tel: 65-6334-8870

Taiwan - Hsin Chu
Tel: 886-3-577-8366

Taiwan - Kaohsiung
Tel: 886-7-213-7830

Taiwan - Taipei
Tel: 886-2-2508-8600

Thailand - Bangkok
Tel: 66-2-694-1351

Vietnam - Ho Chi Minh
Tel: 84-28-5448-2100

EUROPE

Austria - Wels
Tel: 43-7242-2244-39
Fax: 43-7242-2244-393

Denmark - Copenhagen
Tel: 45-4485-5910
Fax: 45-4485-2829

Finland - Espoo
Tel: 358-9-4520-820

France - Paris
Tel: 33-1-69-53-63-20
Fax: 33-1-69-30-90-79

Germany - Garching
Tel: 49-8931-9700

Germany - Haan
Tel: 49-2129-3766400

Germany - Heilbronn
Tel: 49-7131-72400

Germany - Karlsruhe
Tel: 49-721-625370

Germany - Munich
Tel: 49-89-627-144-0
Fax: 49-89-627-144-44

Germany - Rosenheim
Tel: 49-8031-354-560

Israel - Ra'anana
Tel: 972-9-744-7705

Italy - Milan
Tel: 39-0331-742611
Fax: 39-0331-466781

Italy - Padova
Tel: 39-049-7625286

Netherlands - Drunen
Tel: 31-416-690399
Fax: 31-416-690340

Norway - Trondheim
Tel: 47-7288-4388

Poland - Warsaw
Tel: 48-22-3325737

Romania - Bucharest
Tel: 40-21-407-87-50

Spain - Madrid
Tel: 34-91-708-08-90
Fax: 34-91-708-08-91

Sweden - Gothenberg
Tel: 46-31-704-60-40

Sweden - Stockholm
Tel: 46-8-5090-4654

UK - Wokingham
Tel: 44-118-921-5800
Fax: 44-118-921-5820