

UM10988

PCA9532 demonstration board OM13528

Rev. 1 — 2 May 2016

User manual

Document information

Info	Content
Keywords	Fm I ² C-bus, PCA9532, RGB and White LEDs, 16-channel Dimmer & Blinker with two 8-bit PWMs
Abstract	The OM13528 is an add-on to 9-pin connector of NXP's I ² C demo board 2005-1. This daughter board makes it easy to test and design with the PCA9532, a 16-channel Fast-mode (Fm), the LED output driver is open-drain with a 25 mA current sink capability at 5 V. These boards, along with the Win-I2CUSB GUI (PC based), provide an easy to use evaluation platform.



Revision history

Rev	Date	Description
1	20160502	Initial revision.

Contact information

For more information, please visit: <http://www.nxp.com>

For sales office addresses, please send an email to: salesaddresses@nxp.com

1. Introduction

The PCA9532 evaluation board features LEDs for color mixing, blinking and dimming demonstrations. A graphical interface allows the user to easily explore the different functions of the driver. The board can be connected in series with other I²C demo-boards to create an evaluation system.

The IC communicates to the host via the industry standard I²C-bus/SMBus port. The evaluation software runs under Microsoft Windows PC platform.

2. Features

- A complete evaluation platform for the PCA9532 16-channel Fm I²C-bus 25 mA voltage switch LED driver
- Easy to use GUI based software demonstrates the capabilities of the PCA9532
- On-board RGB and White LEDs for visual experience
- Convenient test points for easy scope measurements and signal access
- USB interface to the host PC
- No external power supply required

3. Getting started

3.1 Assumptions

Familiarity with I²C-bus is helpful but not required.

3.2 Static handling requirements

CAUTION



This device is sensitive to Electro Static Discharge (ESD). Therefore care should be taken during transport and handling. You must use a ground strap or touch the PC case or other grounded source before unpacking or handling the hardware.

3.3 Minimum system requirements

- PC Pentium 60 processor (or equivalent), 8 MB RAM, 10 MB of hard drive space
- One USB port (either 2.0 or 1.1 compatible)
- Windows 98SE, ME, 2000, XP, Vista, or 7
- WIN-I2CUSB board (from www.demoboard.com)

3.4 Power requirements

The NXP demonstration board OM13528 hardware obtains power from the PC USB port. Care should be taken not to exceed the USB port current capabilities.

4. Installation

4.1 WIN-I2CUSB software

The Win-I2CUSB software from The Boardshop runs on Windows 98SE, ME, 2000, XP, Vista or 7 and is compatible with any PC hardware having a minimum of a Pentium processor and an USB port. The soft-ware allows the user to select one of the I²C-bus devices on the board from a menu and also provides a Universal mode (I2C Expert mode) to allow users to create their own I²C-bus commands with the same I²C-bus devices.

4.2 OM13528 connection to WIN-I2CUSB hardware adapter board

The Win-I2CUSB board should be disconnected from your PC before connecting the OM13528 board on to it. The OM13528 board has a 14-pin male connector (CON2) that connects to the 14-pin male connector (J1) on the Win-I2CUSB board as shown in the [Fig 1](#).

Connect the OM13528 board to the Win-I2CUSB board before connecting the USB cable. Once the board is connected, connect the USB cable and start the WIN-I2CUSB software. You are now ready to evaluate the PCA9532.

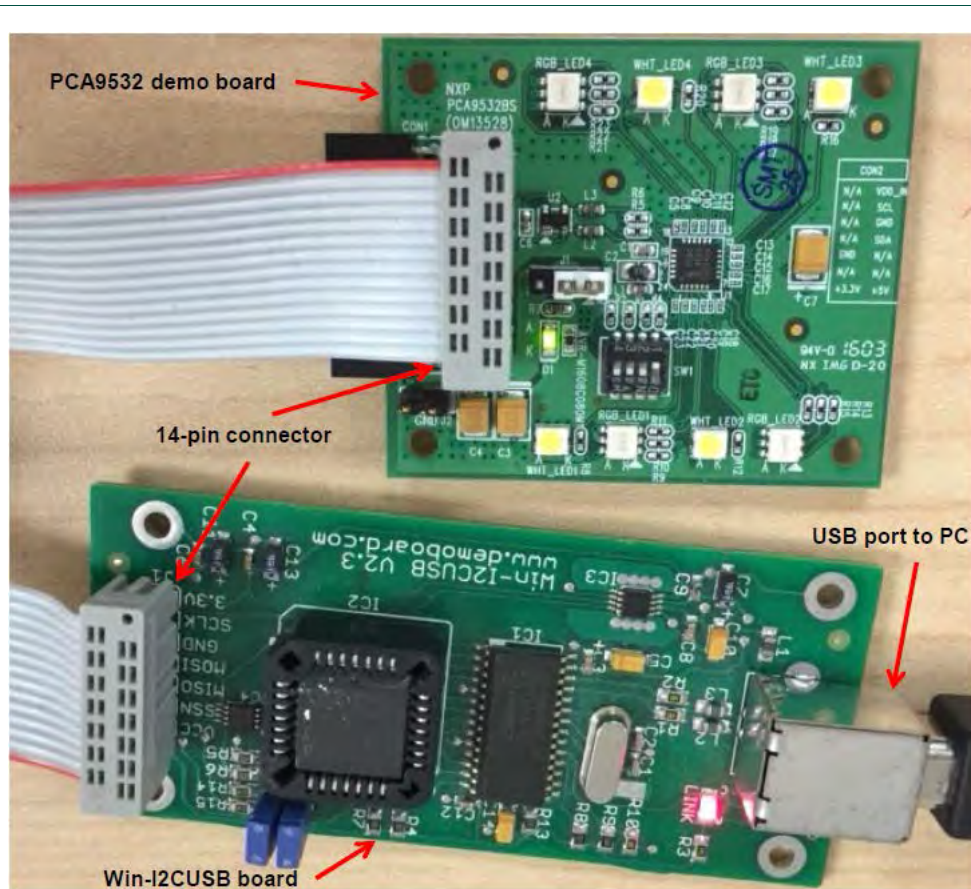
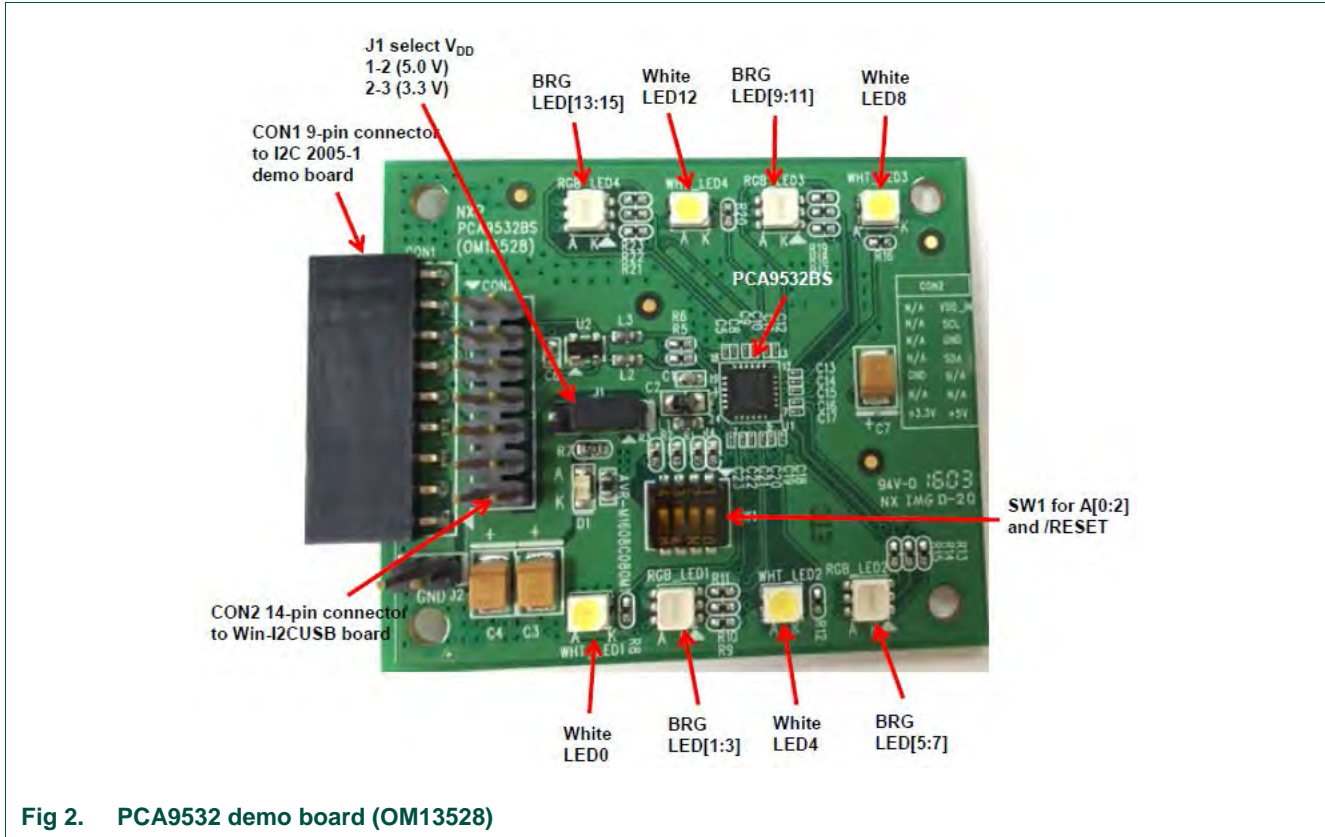


Fig 1. PCA9532 demo board (OM13528) connecting to the WIN-I2CUSB board



5. Hardware description

[Fig 2](#) shows the following items on the hardware:

- CON1 (9-pin female) is for connection to JP1 on I²C demo board 2005-1.
- J1 selects V_{DD} power for PCA9532, connected 1-2 for V_{DD} = 5.0 V and connected 2-3 for V_{DD} = 3.3 V.
- SW1 4-position dip switch to select I²C-bus address A[0:2] = SW1[4:2] for this device (default address is 0xC0, all three switches are ON). SW1[1] is used to control /RESET input (default is OFF position to disable RESET input).
- CON2 (14-pin) is for connection to J1 on WIN-I2CUSB board.
- Four LED outputs (LED0/4/8/12) drive four White LEDs and the other 12 LED outputs (LED[1:3];LED[5:7];LED[9:11];LED[13:15]) drive four BRG LEDs.
- J2 is GND pin for probing use.

6. Schematic

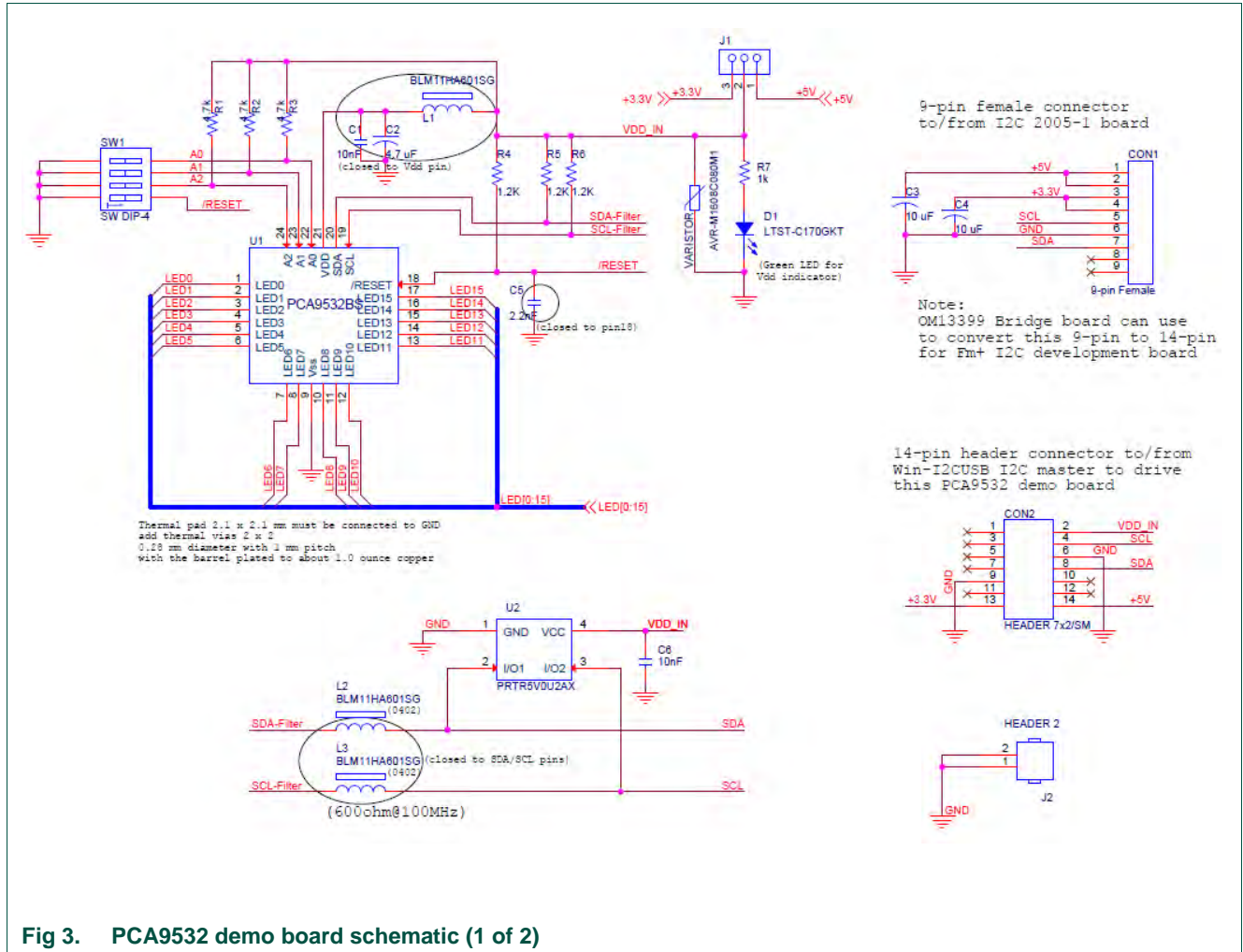


Fig 3. PCA9532 demo board schematic (1 of 2)

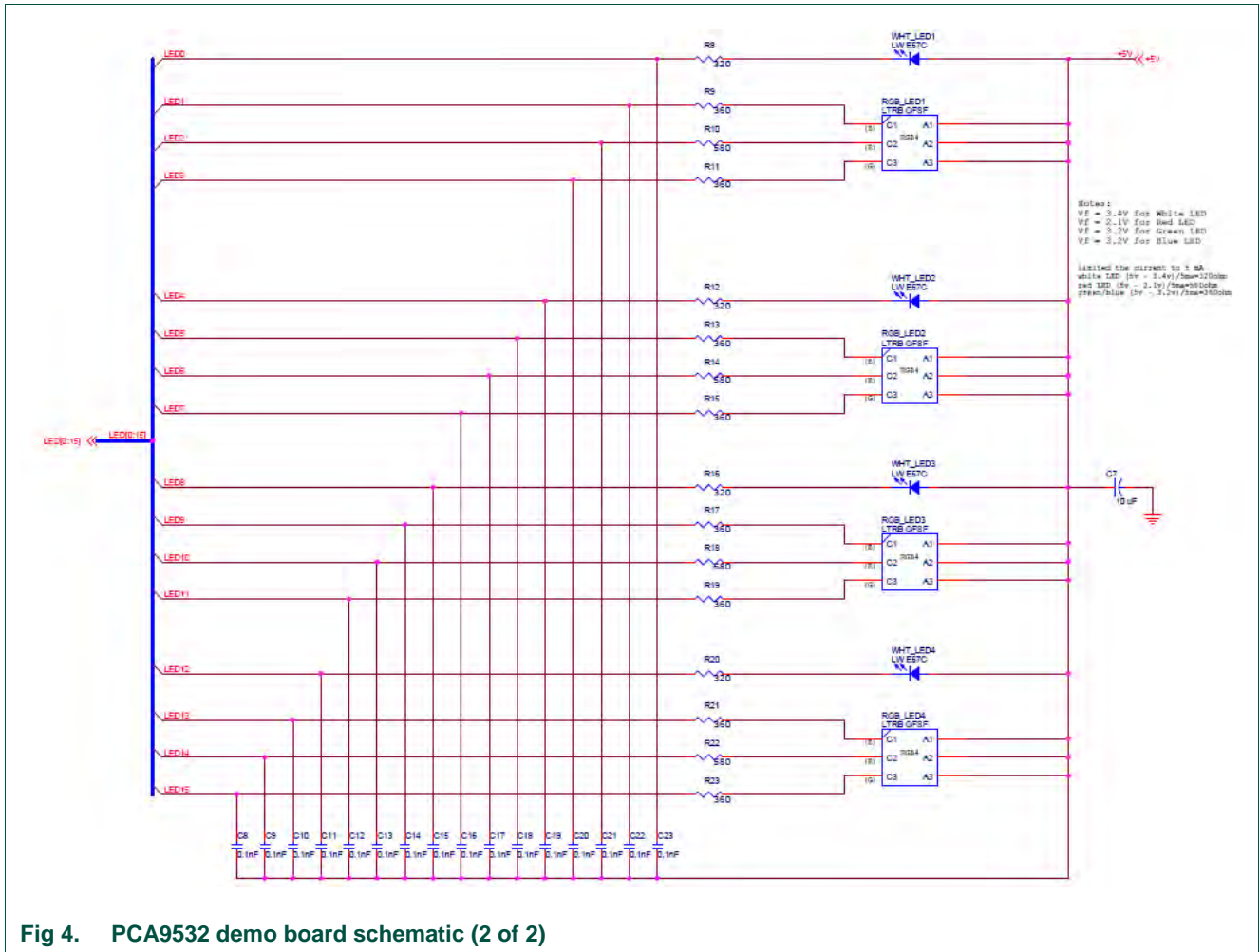


Fig 4. PCA9532 demo board schematic (2 of 2)

7. OM13528 demonstration board main components

Table 1. OM13528 demo board main components

Device	Description	Address/LED Output	Location
PCA9532BS	16-channel 8-bit PWM FM I ² C-bus 25 mA voltage switch LED driver	0xC0 default device address	U1
LW-E67C	White LED	LED0, LED4, LED8, LED12	WHT_LED[1:4]
LTRB_GFSF	RGB LED	LED1, LED2, LED3	RGB_LED1
LTRB_GFSF	RGB LED	LED5, LED6, LED7	RGB_LED2
LTRB_GFSF	RGB LED	LED9, LED10, LED11	RGB_LED3
LTRB_GFSF	RGB LED	LED13, LED14, LED15	RGB_LED4
LTST-C170GKT	PCA9532 power supply either 3.3 V or 5 V indicator	Green LED	D1

8. PCA9532 evaluation steps

The PCA9532 functions are controlled by WIN-I2CUSB GUI. Refer to the PCA9532 data sheet for additional information on the registers and functionality.

Connect the hardware as described in Section 4. The PCA9532 demo board address is set to 0xC0 on switch (SW1) as $A[0:2] = SW1[4:2] = 000$ (0 -> ON, 1 -> OFF). When you have correctly installed the software and the demonstration board hardware is connected and recognized by the computer, start the Win-I2CUSB software. As shown in the [Fig 5](#), when the demonstration board hardware is correctly connected to the USB port and the computer recognizes it, the message “Hardware Detected” is displayed on the bottom of the window.

Switched 3.3 V or 5.0 V power supplies is controlled through the “Options” menu or by double clicking on the 3.3 V or 5.0 V symbols on the bottom of the window. Power supplies are disabled by default and you must enable them before using the I²C-bus devices on the board. I²C-bus frequency is controlled through the “Options” menu or by double clicking on the frequency symbol on the bottom of the window.

8.1 Dimming and blinking control for LEDs

The LED brightness is controlled by setting the blink rate (PCS0/1 to control period of the PWM output) high enough (> 100 Hz) that the blinking cannot be seen and then using the duty cycle (PWM0/1) to vary the amount of time the LED is on and thus the average current through the LED.

The initial setup sequence programs the two PWM period PCS0/PCS1 and PWM duty cycle PWM0/PWM1 registers. From then on, only one command from the bus master is required to turn individual LEDs ON, OFF, BLINK at PWM0 or BLINK at PWM1. Based on the programmed frequency and duty cycle, BLINK PWM0 and BLINK PWM1 will cause the LEDs to appear at a different brightness or blink.

1. From the ‘Device’ drop-down menus select ‘LED Blinkers and Dimmers’, and from the subsequent drop-down menu select ‘PCA9532 16-bit LED Driver with 8-bit PWM’ as shown in [Fig 5](#).
2. The device address is set to “0xC0” hex as default value, also check the ‘Auto Write On’ box (next lower) as shown in [Fig 6](#).
3. The device configuration screen for dimming and blinking effect will be displayed by clicking the following options:
 - ‘PWM 0’ box is used to set “Period” from 0.59 Hz to 152 Hz and “Duty Cycle” from 0% to 99.61% (256 steps)
 - ‘PWM 1’ box is used to set “Period” from 0.59 Hz to 152 Hz and “Duty Cycle” from 0% to 99.61% (256-steps)
4. Click the ‘LED[0:15]’ configuration screen for each LED in “LED Mode Select” box to set LED output in one of these four modes: “OFF” (default), “ON”, “Blinks at PWM0 rate” or “Blinks at PWM1 rate”

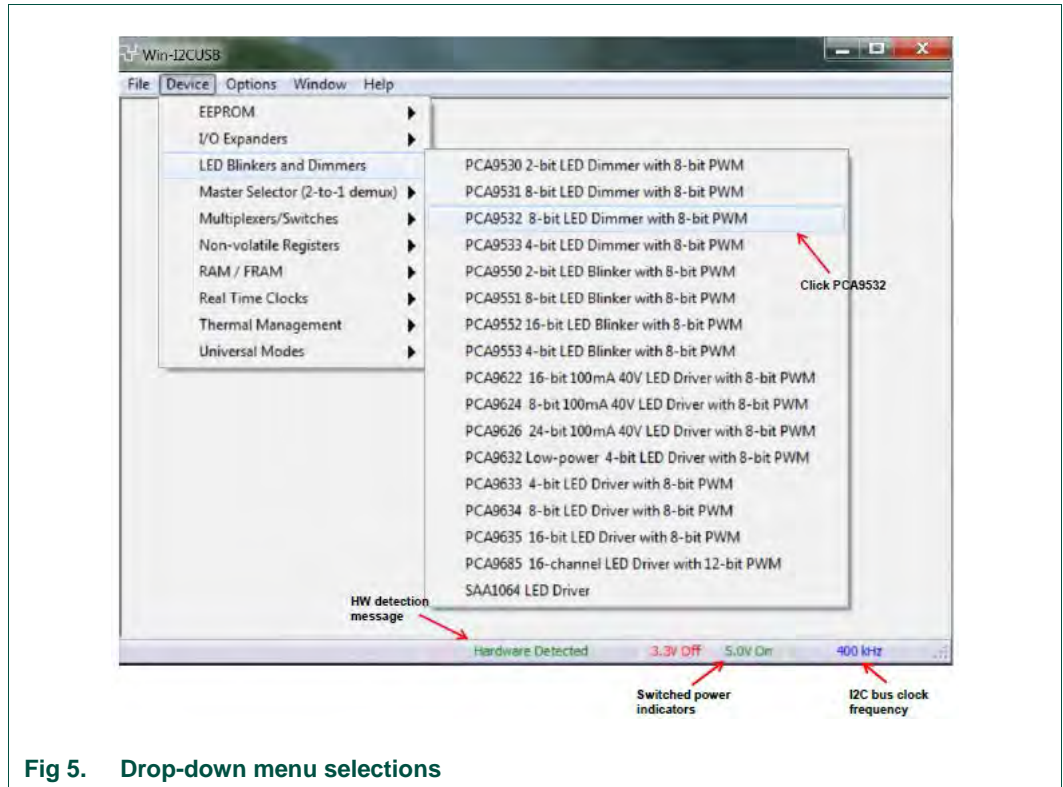


Fig 5. Drop-down menu selections

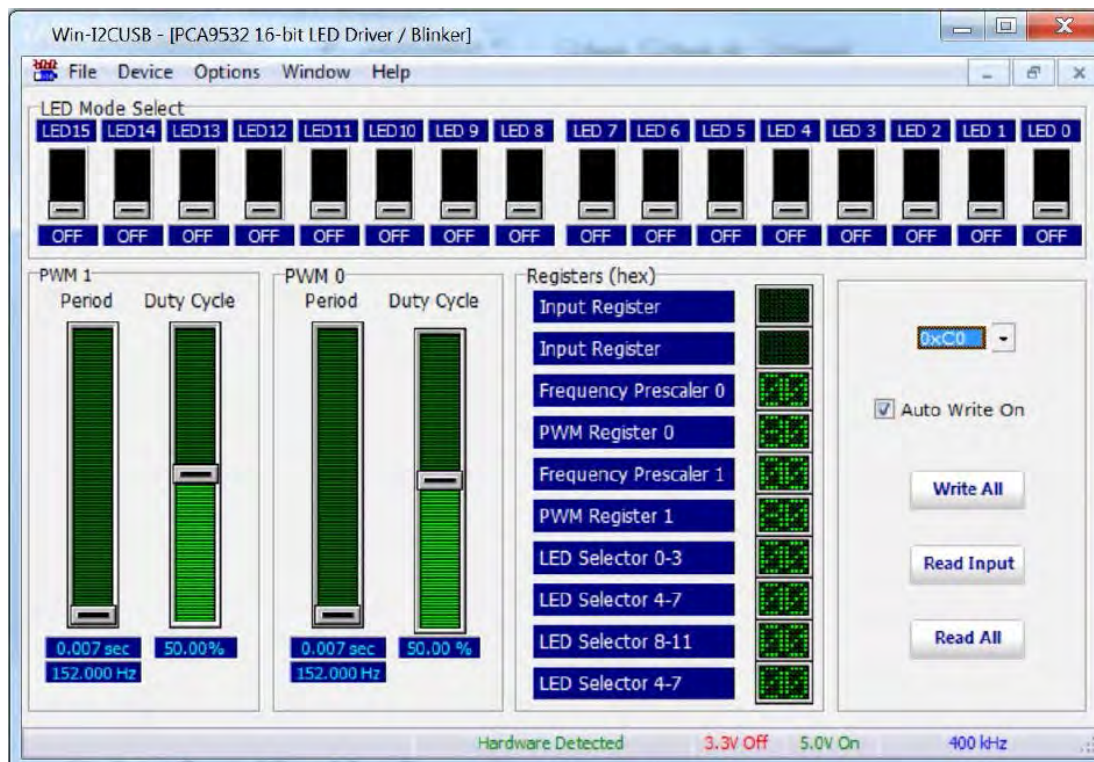


Fig 6. PCA9532 GUI configuration screen

9. Support

For support, please send an email to: i2c.support@nxp.com

10. Abbreviations

Table 2. Abbreviations

Acronym	Description
ESD	Electro Static Discharge
GUI	Graphical User Interface
I ² C-bus	Inter-integrated Circuit bus
IC	Integrated Circuit
LED	Light Emitting Diode
PC	Personal Computer
PWM	Pulse Width Modulation
RAM	Random Access Memory
RGB	Red/Green/Blue
RGBA	Red/Green/Blue/Amber
SMBus	System Management Bus
USB	Universal Serial Bus

11. References

- [1] PCA9532, 16-channel Fm I²C-bus 25 mA voltage switch LED driver Product data sheet; NXP Semiconductors; <http://www.nxp.com/pip/PCA9532>
- [2] UM10206, I2C Demonstration Board 2005-1 Quick Start Guide NXP Semiconductors; http://www.nxp.com/documents/user_manual/UM10206.pdf

12. Legal information

12.1 Definitions

Draft — The document is a draft version only. The content is still under internal review and subject to formal approval, which may result in modifications or additions. NXP Semiconductors does not give any representations or warranties as to the accuracy or completeness of information included herein and shall have no liability for the consequences of use of such information.

12.2 Disclaimers

Limited warranty and liability — Information in this document is believed to be accurate and reliable. However, NXP Semiconductors does not give any representations or warranties, expressed or implied, as to the accuracy or completeness of such information and shall have no liability for the consequences of use of such information.

In no event shall NXP Semiconductors be liable for any indirect, incidental, punitive, special or consequential damages (including - without limitation - lost profits, lost savings, business interruption, costs related to the removal or replacement of any products or rework charges) whether or not such damages are based on tort (including negligence), warranty, breach of contract or any other legal theory.

Notwithstanding any damages that customer might incur for any reason whatsoever, NXP Semiconductors' aggregate and cumulative liability towards customer for the products described herein shall be limited in accordance with the Terms and conditions of commercial sale of NXP Semiconductors.

Right to make changes — NXP Semiconductors reserves the right to make changes to information published in this document, including without limitation specifications and product descriptions, at any time and without notice. This document supersedes and replaces all information supplied prior to the publication hereof.

Suitability for use — NXP Semiconductors products are not designed, authorized or warranted to be suitable for use in life support, life-critical or safety-critical systems or equipment, nor in applications where failure or malfunction of an NXP Semiconductors product can reasonably be expected to result in personal injury, death or severe property or environmental damage. NXP Semiconductors accepts no liability for inclusion and/or use of NXP Semiconductors products in such equipment or applications and therefore such inclusion and/or use is at the customer's own risk.

Applications — Applications that are described herein for any of these products are for illustrative purposes only. NXP Semiconductors makes no representation or warranty that such applications will be suitable for the specified use without further testing or modification.

Customers are responsible for the design and operation of their applications and products using NXP Semiconductors products, and NXP Semiconductors accepts no liability for any assistance with applications or customer product design. It is customer's sole responsibility to determine

whether the NXP Semiconductors product is suitable and fit for the customer's applications and products planned, as well as for the planned application and use of customer's third party customer(s). Customers should provide appropriate design and operating safeguards to minimize the risks associated with their applications and products.

NXP Semiconductors does not accept any liability related to any default, damage, costs or problem which is based on any weakness or default in the customer's applications or products, or the application or use by customer's third party customer(s). Customer is responsible for doing all necessary testing for the customer's applications and products using NXP Semiconductors products in order to avoid a default of the applications and the products or of the application or use by customer's third party customer(s). NXP does not accept any liability in this respect.

Export control — This document as well as the item(s) described herein may be subject to export control regulations. Export might require a prior authorization from competent authorities.

Evaluation products — This product is provided on an "as is" and "with all faults" basis for evaluation purposes only. NXP Semiconductors, its affiliates and their suppliers expressly disclaim all warranties, whether express, implied or statutory, including but not limited to the implied warranties of non-infringement, merchantability and fitness for a particular purpose. The entire risk as to the quality, or arising out of the use or performance, of this product remains with customer.

In no event shall NXP Semiconductors, its affiliates or their suppliers be liable to customer for any special, indirect, consequential, punitive or incidental damages (including without limitation damages for loss of business, business interruption, loss of use, loss of data or information, and the like) arising out of the use of or inability to use the product, whether or not based on tort (including negligence), strict liability, breach of contract, breach of warranty or any other theory, even if advised of the possibility of such damages.

Notwithstanding any damages that customer might incur for any reason whatsoever (including without limitation, all damages referenced above and all direct or general damages), the entire liability of NXP Semiconductors, its affiliates and their suppliers and customer's exclusive remedy for all of the foregoing shall be limited to actual damages incurred by customer based on reasonable reliance up to the greater of the amount actually paid by customer for the product or five dollars (US\$5.00). The foregoing limitations, exclusions and disclaimers shall apply to the maximum extent permitted by applicable law, even if any remedy fails of its essential purpose.

12.3 Trademarks

Notice: All referenced brands, product names, service names and trademarks are property of their respective owners.

I²C-bus — is a trademark of NXP B.V.

13. List of figures

Fig 1.	PCA9532 demo board (OM13528) connecting to the WIN-I2CUSB board.....	4
Fig 2.	PCA9532 demo board (OM13528)	5
Fig 3.	PCA9532 demo board schematic (1 of 2)	6
Fig 4.	PCA9532 demo board schematic (2 of 2)	7
Fig 5.	Drop-down menu selections.....	9
Fig 6.	PCA9532 GUI configuration screen	10

14. List of tables

Table 1. OM13528 demo board main components 7
Table 2. Abbreviations 11

15. Contents

1.	Introduction	3
2.	Features	3
3.	Getting started.....	3
3.1	Assumptions.....	3
3.2	Static handling requirements.....	3
3.3	Minimum system requirements	3
3.4	Power requirements	3
4.	Installation	4
4.1	WIN-I2CUSB software	4
4.2	OM13528 connection to WIN-I2CUSB hardware adapter board.....	4
5.	Hardware description.....	5
6.	Schematic	6
7.	OM13528 demonstration board main components	7
8.	PCA9532 evaluation steps.....	8
8.1	Dimming and blinking control for LEDs	8
9.	Support	10
10.	Abbreviations	11
11.	References	11
12.	Legal information	12
12.1	Definitions	12
12.2	Disclaimers.....	12
12.3	Trademarks	12
13.	List of figures.....	13
14.	List of tables	14
15.	Contents.....	15

Please be aware that important notices concerning this document and the product(s) described herein, have been included in the section 'Legal information'.

© NXP B.V. 2016.

All rights reserved.

For more information, please visit: <http://www.nxp.com>
For sales office addresses, please send an email to: salesaddresses@nxp.com

Date of release: 2 May 2016
Document identifier: UM10988

Mouser Electronics

Authorized Distributor

Click to View Pricing, Inventory, Delivery & Lifecycle Information:

[NXP:](#)

[OM13528UL](#)