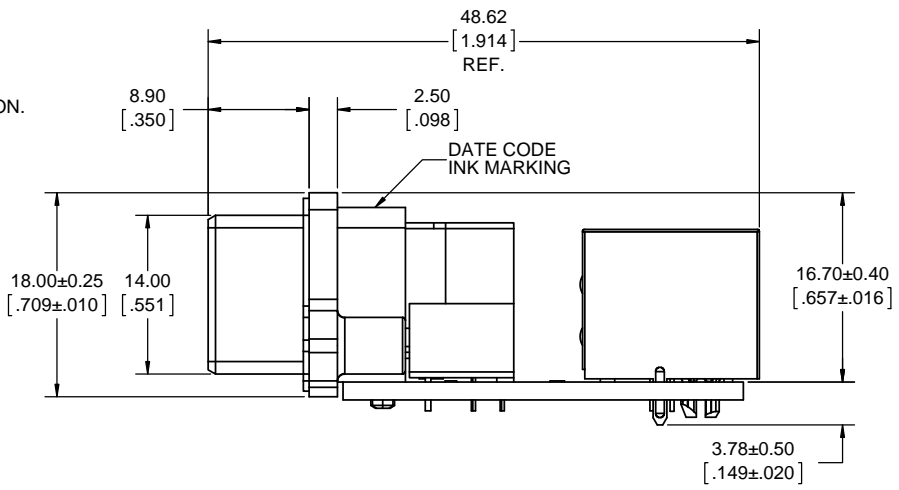
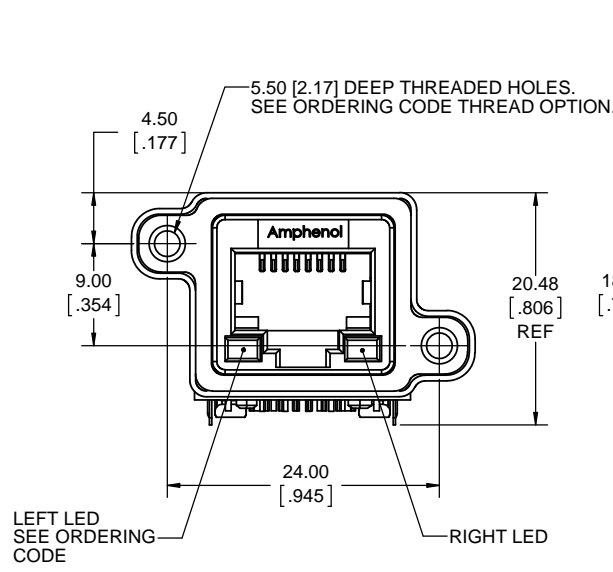


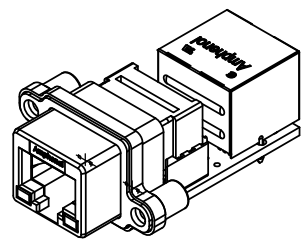
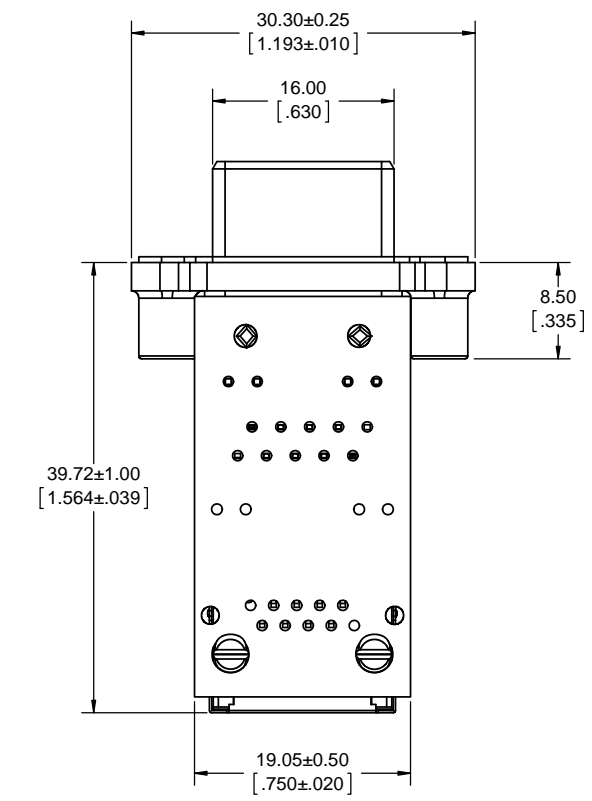
| REVISIONS | | | |
|-----------|-----------------------------|----------|-------|
| REV | DESCRIPTION, ECN, EAR NO. | DATE | APP'D |
| D | PRODUCT DRAWING (EAR 14166) | APR15/13 | K.L. |
| E | PRODUCT DRAWING (EAR 14296) | JUL24/14 | K.L. |



ORDERING CODE: MRJ-578X-X1

SERIES, RUGGED RJ
 RECEPTACLE, 8 CONTACTS
 RIGHT ANGLE, ON PCB
 WITH STANDARD RJ RECEPTACLE
 LED OPTION:
 0 = NONE
 1 = LEFT GREEN, RIGHT YELLOW
 4 = LEFT YELLOW, RIGHT GREEN
 5 = LEFT GREEN, RIGHT GREEN
 MOUNTING HOLE THREAD OPTION:
 0 = #4-40 UNC THREAD
 M = M3 X 0.5 THREAD
 SINGLE PORT

SPECIAL CONNECTORS
 MANY UNIQUE FEATURES ARE READILY AVAILABLE TO SUIT CUSTOMER REQUIREMENTS. CONSULT WITH AMPHENOL CANADA FOR DETAILS.



NOTES:

- MATERIAL:**
 ALL MATERIALS ARE RoHS COMPLIANT PER EU DIRECTIVE 2011/65/EU AND AMENDMENTS
 - SHELL - DIECAST ZINC ALLOY, NICKEL PLATED
 - CONTACTS - PHOSPHOR BRONZE WITH 1.27 μm [50 μ"] GOLD OVER 1.27 μm [50 μ"] MINIMUM NICKEL ON THE MATING AREA AND MATTE TIN OVER NICKEL ON THE CONTACT TAILS.
 - INSERTS - ENGINEERING THERMOPLASTIC, FLAMMABILITY RATING UL94V-0
 - REAR INSERTS: BLACK NYLON, FRONT INSERT: CLEAR POLYCARBONATE
 - LED'S - EPOXY LENS, STEEL TAILS WITH TIN PLATING
 - GASKET - SILICONE RUBBER
 - PCB - FR-4 FIBERGLASS, LEAD FREE
 - STANDARD RJ RECEPTACLE - AMPHENOL P/N RJHSE-5F80, PHOSPHOR BRONZE CONTACTS WITH 1.27 μm [50μ"] GOLD OVER NICKEL ON MATING AREA, BLACK NYLON INSERT AND COPPER ALLOY SHIELD WITH NICKEL PLATING
- ENVIRONMENTAL PERFORMANCE PER IEC 60529 CODE IP67 FOR SEAL BETWEEN MATING AREA AND PCB SIDE OF CONNECTOR. GASKET PROVIDES SEAL TO INSIDE FACE OF PANEL.
- CURRENT RATING: 1.5 AMPERES.
- CONTACT RESISTANCE: 80 MILLIOHMS MAXIMUM (SUBJECT TO VERIFICATION).
- OPERATING TEMPERATURE: -40°C TO +105°C.
- LED CHARACTERISTICS: FORWARD DC CURRENT 25 mA MAX, FORWARD VOLTAGE 2.5 V MAX @ 2 mA.
- AVAILABLE MATING AREA COVERS PROVIDE ADDED PROTECTION. CONSULT WITH AMPHENOL CANADA FOR DETAILS.
- RECOMMENDED TORQUE FOR PANEL MOUNT SCREWS: 0.45 TO 0.65 Nm [4.0 TO 5.75 IN-LBS] FOR STEEL SCREWS WITH 3.00 [118] MINIMUM THREAD ENGAGEMENT.
- CUSTOMER TO VERIFY THAT ALL PROCESS CLEANERS ARE COMPATIBLE WITH POLYCARBONATE MATERIAL.



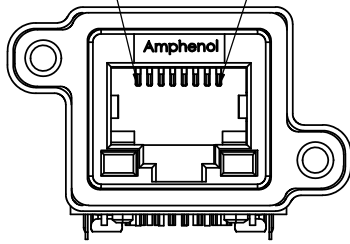
| | | | |
|----------------------------|------------------------|-----------|----------|
| UNLESS SPECIFIED OTHERWISE | DRAWN | S.SEMENOV | JAN01/07 |
| PRIMARY UNITS MILLIMETERS | CHECKED | | |
| SECONDARY INCHES | M.E. APP'D | | |
| REFERENCE IN PARENTHESES | Q.A. APP'D | | |
| GENERAL TOLERANCES | DWG APPR. | A.GREEN | JAN01/07 |
| 1 DECIMAL PLACE | ENG. REL. NO. | | |
| 2 DECIMAL PLACES ±0.15 | REF. | | |
| 3 DECIMAL PLACES | THIRD ANGLE PROJECTION | | |
| ANGULAR DEGREES | DO NOT SCALE DRAWING | | |

Amphenol Canada Corp.
 www.amphenolcanada.com
MRJ SERIES RUGGED MODULAR JACK,
8 POSITION, RIGHT ANGLE, ON PCB,
WITH STANDARD RJ RECEPTACLE,
RoHS COMPLIANT

DWG. NO. **P-MRJ-578X-X1** REV **E**

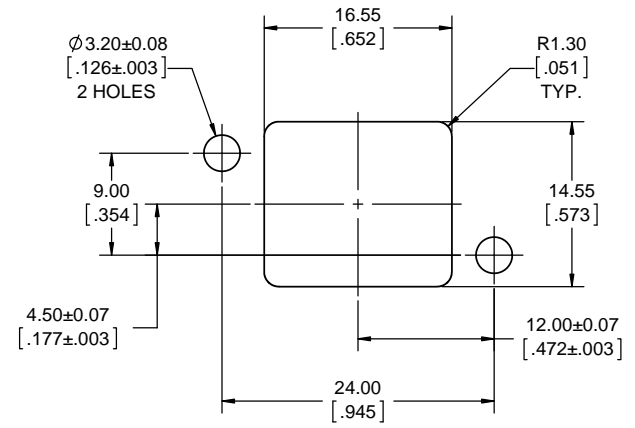
CODE ID NO. 03554 DWG SIZE: X SCALE: 3:1 SHEET 1 OF 2

MRJ CONTACT 1 MRJ CONTACT 8

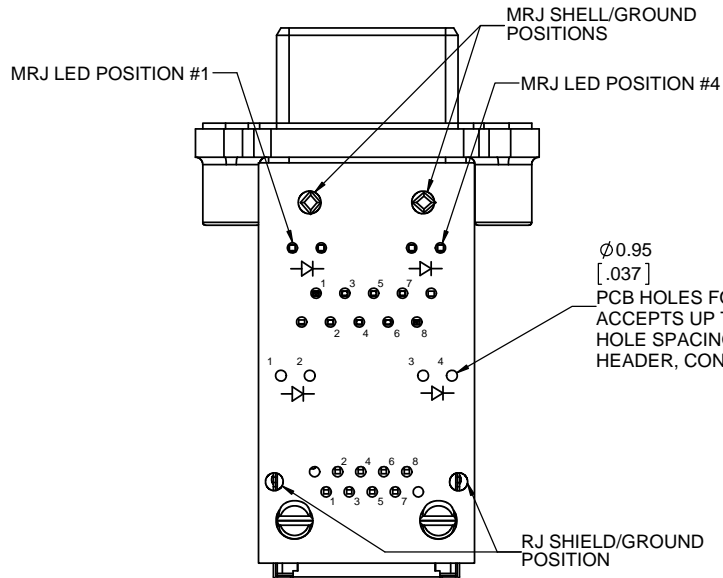


| MRJ TO RJ CONNECTIONS | |
|-----------------------|---------------|
| MRJ | RJ |
| 1 | 1 |
| 2 | 2 |
| 3 | 3 |
| 4 | 4 |
| 5 | 5 |
| 6 | 6 |
| 7 | 7 |
| 8 | 8 |
| SHELL/GROUND | SHIELD/GROUND |
| PCB HOLES | |
| LED 1 | 1 |
| LED 2 | 2 |
| LED 3 | 3 |
| LED 4 | 4 |

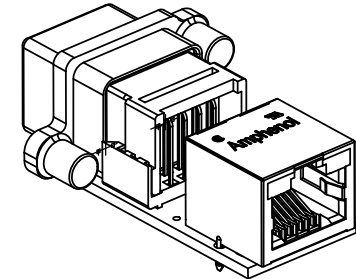
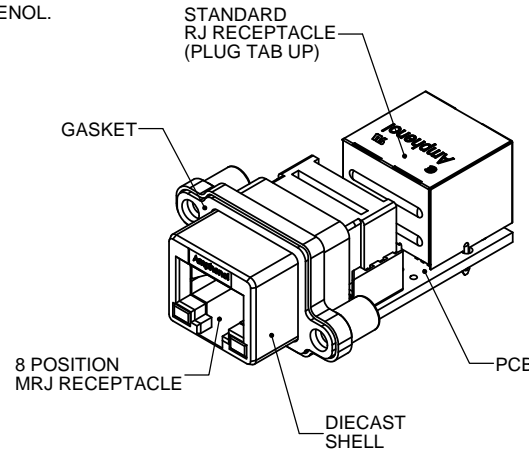
| REVISIONS | | | |
|-----------|-----------------------------|----------|-------|
| REV | DESCRIPTION, ECN, EAR NO. | DATE | APP'D |
| D | PRODUCT DRAWING (EAR 14166) | APR15/13 | K.L. |
| E | PRODUCT DRAWING (EAR 14296) | JUL24/14 | K.L. |



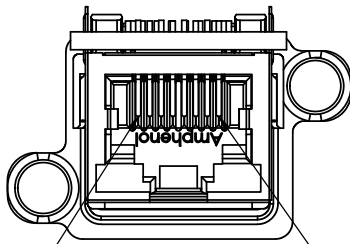
RECOMMENDED PANEL CUTOUT
OUTSIDE PANEL VIEW



Ø0.95
[.037]
PCB HOLES FOR LED CONNECTIONS,
ACCEPTS UP TO 22 AWG WIRE.
HOLE SPACING SUITABLE FOR 2 PIN
HEADER, CONSULT WITH AMPHENOL.



RJ CONTACT 1 RJ CONTACT 8



| | | | |
|----------------------------|------------------------|-----------|----------|
| UNLESS SPECIFIED OTHERWISE | DRAWN | S.SEMENOV | JAN01/07 |
| PRIMARY UNITS MILLIMETERS | CHECKED | | |
| SECONDARY UNITS INCHES | M.E. APP'D | | |
| REFERENCE IN PARENTHESES | Q.A. APP'D | | |
| GENERAL TOLERANCES | DWG APPR. | A.GREEN | JAN01/07 |
| 1 DECIMAL PLACE | ENG. REL. NO. | | |
| 2 DECIMAL PLACES ±0.15 | REF. | | |
| 3 DECIMAL PLACES | THIRD ANGLE PROJECTION | | |
| ANGULAR DEGREES | DO NOT SCALE DRAWING | | |

Amphenol Canada Corp.
www.amphenolcanada.com

**MRJ SERIES RUGGED MODULAR JACK,
8 POSITION, RIGHT ANGLE, ON PCB,
WITH STANDARD RJ RECEPTACLE,
RoHS COMPLIANT**

DWG. NO. **P-MRJ-578X-X1** REV **E**

CODE ID NO. 03554 DWG SIZE: X SCALE: 3:1 SHEET 2 OF 2

Mouser Electronics

Authorized Distributor

Click to View Pricing, Inventory, Delivery & Lifecycle Information:

[Amphenol:](#)

[MRJ-5780-01](#) [MRJ578101](#) [MRJ5780M1](#) [MRJ5784M1](#) [MRJ578401](#) [MRJ5781011](#) [MRJ5781013](#)