



PIC32MZ2048ECH144, PIC32MZ2048EFH144

PIC32MZ EC and PIC32MZ EF Bluetooth® Audio 144-pin to 100-pin TQFP Plug-In Module (PIM) Information Sheet

The PIC32MZ2048ECH144 Bluetooth Audio PIM (MA320016) and the PIC32MZ2048EFH144 Bluetooth Audio PIM (MA320018) are designed to demonstrate the capabilities of the PIC32MZ EC and PIC32MZ EF families of devices using the PIC32 Bluetooth Audio Development Kit (DV320032).

Note: These PIMs can only be used with the PIC32 Bluetooth Audio Development Board. To get started with development, please visit: <http://www.microchip.com/pic32tools> and click the PIC32 Bluetooth Audio Development Board product link.

The PIC32MZ EC and PIC32MZ EF families of devices are high-performance 32-bit microcontrollers that can perform a wide variety of functionality for embedded applications.

Physical Description

The PIC32MZ2048ECH144 is denoted by the silk screen towards the top of the PIM labeled: PIC32MZ Audio PIM.

The PIC32MZ2048EFH144 is denoted by the silk screen towards the bottom of the PIM labeled: PIC32MZ EF Audio PIM.

Table 1 shows the mapping between the development board functions and the device pins.

TABLE 1: 144-PIN DEVICE TO 100-PIN PIM MAPPING

Device Pin #	PIC32MZ EC/PIC32MZ EF Pin Name	PIM Pin #	PIC32 Bluetooth Audio Development Kit Port Name
1	AN23/RG15	1	GPIO_12/STBY/RST#
2	EBIA5/AN34/PMA5/RA5	No Connect	No Connect
3	EBID5/AN17/RPE5/PMD5/RE5	3	LCD1_DB5
4	EBID6/AN16/PMD6/RE6	4	LCD1_DB6
5	EBID7/AN15/PMD7/RE7	5	LCD1_DB7
6	EBIA6/AN22/RPC1/PMA6/RC1	6	LCD1_RESET
7	AN35/ETXD0/RJ8	No Connect	No Connect
8	AN36/ETXD1/RJ9	8	ACC_ID_SEL
9	EBIBS0/RJ12	9	GPIO_17
10	EBIBS1/RJ10	19	SELECT
11	EBIA12/AN21/RPC2/PMA12/RC2	7	GPIO_24/I2S2_LRCL
12	EBIWE/AN20/RPC3/PMWR/RC3	81	LCD1_WR
13	EBIOE/AN19/EPC4/PMRD/RC4	82	LCD1_RD
14	AN14/C1IND/RPG6/SCK2/RG6	10	GPIO_22/I2S2_BCLK
15	AN13/C1INC/RPG7/SDA4/RG7	11	GPIO_27/SPI2_SDI
16	AN12/C2IND/RPG8/SCL4/RG8	12	GPIO_25/I2S2_SDO
17	Vss	15, 31, 36, 45, 65, 75	VSS
18	VDD	2, 16, 30, 37, 45, 55, 62, 86	VDD
19	EBIA16/RK0	17	SW1#
20	MCLR	13	MCLR#
21	EBIA2/AN11/C2INC/RPG9/PMA2/RG9	18	GPIO_15/SS2#
22	TMS/AN24/RA0	22	GPIO_16/AN(C)
23	AN25/RPE8/RE8	20	GPIO_29/AN(E)
24	AN26/RPE9/RE9	24	OVERCURRENT
25	AN45/C1INA/RPB6/RB5	23	GPIO_20/UART2_CTS#

PIC32MZ2048ECH144, PIC32MZ2048EFH144

TABLE 1: 144-PIN DEVICE TO 100-PIN PIM MAPPING

Device Pin #	PIC32MZ EC/PIC32MZ EF Pin Name	PIM Pin #	PIC32 Bluetooth Audio Development Kit Port Name
26	AN4/C1INB/RB4	32	GPIO_13/AN(A)
27	AN37/ERXCLK/EREFCLK/RJ11	21	ACC_PWR
28	EBIA13/PMA13/RJ13	28	LED5#
29	EBIA11/PMA11/RJ14	29	SW3#
30	EBIA0/PMA0/RJ15	44	LCD1_DC#
31	AN3/C2INA/RPB3/RB3	14	GPIO_21/UART2_RTS#
32	Vss	15, 31, 36, 45, 65, 75	VSS
33	VDD	2, 16, 30, 37, 45, 55, 62, 86	VDD
34	AN2/C2INB/RPB2/RB2	34	GPIO_31/AN(F)
35	PGEC1/AN1/RPB1/RB1	35	VOLUME
36	PGED1/AN0/RPB0/RB0	25	GPIO_30/SS1#
37	PGEC2/AN46/RPB6/RB6	26	PGEC2
38	PGED2/AN47/RPB7/RB7	27	PGED2
39	VREF-/CVREF-/AN27/RA9	33	GPIO_14/AN(B)
40	VREF+/CVREF+/AN28/RA10	38	SW2#
41	AVDD	2, 16, 30, 37, 45, 55, 62, 86	VDD
42	AVSS	15, 31, 36, 45, 65, 75	VSS
43	AN38/ETXD2/RH0	41	SW4#
44	AN39/ETXD3/RH1	42	SW5#
45	EBIRP/RH2	43	USB_SEL#
46	RH3	No Connect	No Connect
47	EBIA10/AN48/RPB8/PMA10/RB8	47	C_RESET
48	EBIA7/AN49/RPB9/RMA7/RB9	48	IPOD_DETECT
49	CVREFOUT/AN5/RPB10/RB10	No Connect	No Connect
50	AN6/RB11	51	GPIO_23/AN(D)
51	EBIA1/PMA1/RK1	No Connect	No Connect
52	EBIA3/PMA3/RK2	No Connect	No Connect
53	EBIA17/RK3	No Connect	No Connect
54	Vss	15, 31, 36, 45, 65, 75	VSS
55	VDD	2, 16, 30, 37, 45, 55, 62, 86	VDD
56	TCK/AN29/RA1	No Connect	No Connect
57	TDI/AN30/RPF13/SCK5/RF13	39	U4RX
58	TDO/AN31/RPF12/RF12	40	U4TX
59	AN7/RB12	No Connect	No Connect
60	AN8/RB13	60	LED1#
61	AN9/RPB14/SCK3/RB14	61	LED2#
62	AN10/RPB15/OCFB/RB15	No Connect	No Connect
63	Vss	15, 31, 36, 45, 65, 75	VSS
64	VDD	2, 16, 30, 37, 45, 55, 62, 86	VDD
65	AN40/ERXERR/RH4	No Connect	No Connect
66	AN41/ERXD1/RH5	No Connect	No Connect
67	AN42/ERXD2/RH6	74	IPOD_VBUS
68	EBIA4/PMPA4/RH7	68	ALERT#
69	AN32/AETXD0/RPD14/RD14	50	GPIO_19/UART2_TX
70	AN33/RPD15/SCK6/RD15	53	GPIO_5/I2S1_MCLK
71	OSC1/CLKI/RC12	63	OSCIN
72	OSC2/CLKO/RC15	64	OSCO

PIC32MZ2048ECH144, PIC32MZ2048EFH144

TABLE 1: 144-PIN DEVICE TO 100-PIN PIM MAPPING

Device Pin #	PIC32MZ EC/PIC32MZ EF Pin Name	PIM Pin #	PIC32 Bluetooth Audio Development Kit Port Name
73	VBUS	54	5V_SW_DIG
74	VUSB3V3	2, 16, 30, 37, 45, 55, 62, 86	VDD
75	VSS	15, 31, 36, 45, 65, 75	VSS
76	D-	56	PIC32_D-
77	D+	57	PIC32_D+
78	RPF3/USBID/RF3	52	FLASH_CS#
79	SDA3/RPF2/RF2	91	LED3#
80	SCL3/RPF8/RF8	49	GPIO_18/UART2_RX
81	ERXD0/RH8	80	VBUS_SENSE
82	ERXD3/RH9	87	GPIO_33/PD1#
83	ECOL/RH10	83	A_DET#
84	EBIRDY2/RH11	84	GPIO_32
85	SCL2/RA2	58	I2C2_SCL
86	EBIRDY1/SDA2/RA3	59	I2C2_SDA
87	EBIA14/PMCS1/PMA14/RA4	71	LCD1_CS#
88	VDD	2, 16, 30, 37, 45, 55, 62, 86	VDD
89	VSS	15, 31, 36, 45, 65, 75	VSS
90	EBIA9/RPF4/SDA5/PMA9/RF4	88	GPIO_34/PD2#
91	EBIA8/RPF5/SCL5/PMA8/RF5	72	GPIO_9/I2S1_SDO
92	EBIA18/RK4	89	USB_SEL1
93	EBIA19/RK5	90	USB_SEL0
94	EBIA20/RK6	95	USB_ACC#
95	RPA14/SCL1/RA14	66	GPIO_10/I2C1_SCL
96	RPA15/SDA1/RA15	67	GPIO_7/I2C1_SDA
97	EBIA15/RPD9/PMCS2/PMA15/RD9	69	GPIO_8/I2S1_LRCL
98	RPD10/SCK4/RD10	96	USB_MINI_B#
99	EMDC/RPD11/RD11	97	USB_TYPE_A#
100	ECRS/RH12	92	LED4#
101	ERXDV/ECRSV/AECRSV/RH13	No Connect	No Connect
102	RH14	No Connect	No Connect
103	EBIA23/RH15	No Connect	No Connect
104	RPD0/RTCC/INT0/RD0	No Connect	No Connect
105	SOSCI/PC13/RC13	No Connect	No Connect
106	SOSCO/PC14/T1CK/RC14	73	GPIO_11/SPI1_SDI
107	VDD	2, 16, 30, 37, 45, 55, 62, 86	VDD
108	VSS	15, 31, 36, 45, 65, 75	VSS
109	RPD1/SCK1/RD1	70	GPIO_6/I2S1_BCLK
110	EBID14/RPD2/PMD14/RD2	77	GPIO_1/UART1_RX
111	EBID15/RPD3/PMD15/RD3	78	GPIO_2/UART1_TX
112	EBID12/RPD12/PMD12/RD12	79	GPIO_3/UART_CTS#
113	EBID13/PMD13/RD13	No Connect	No Connect
114	ETXERR/RJ0	No Connect	No Connect
115	EMDIO/RJ1	No Connect	No Connect
116	EBIRDY3/RJ2	No Connect	No Connect
117	EBIA22/RJ3	No Connect	No Connect
118	SQICS0/RPD4/RD4	No Connect	No Connect
119	SQICS1/RPD5/RD5	76	GPIO_4/UART1_RTS#

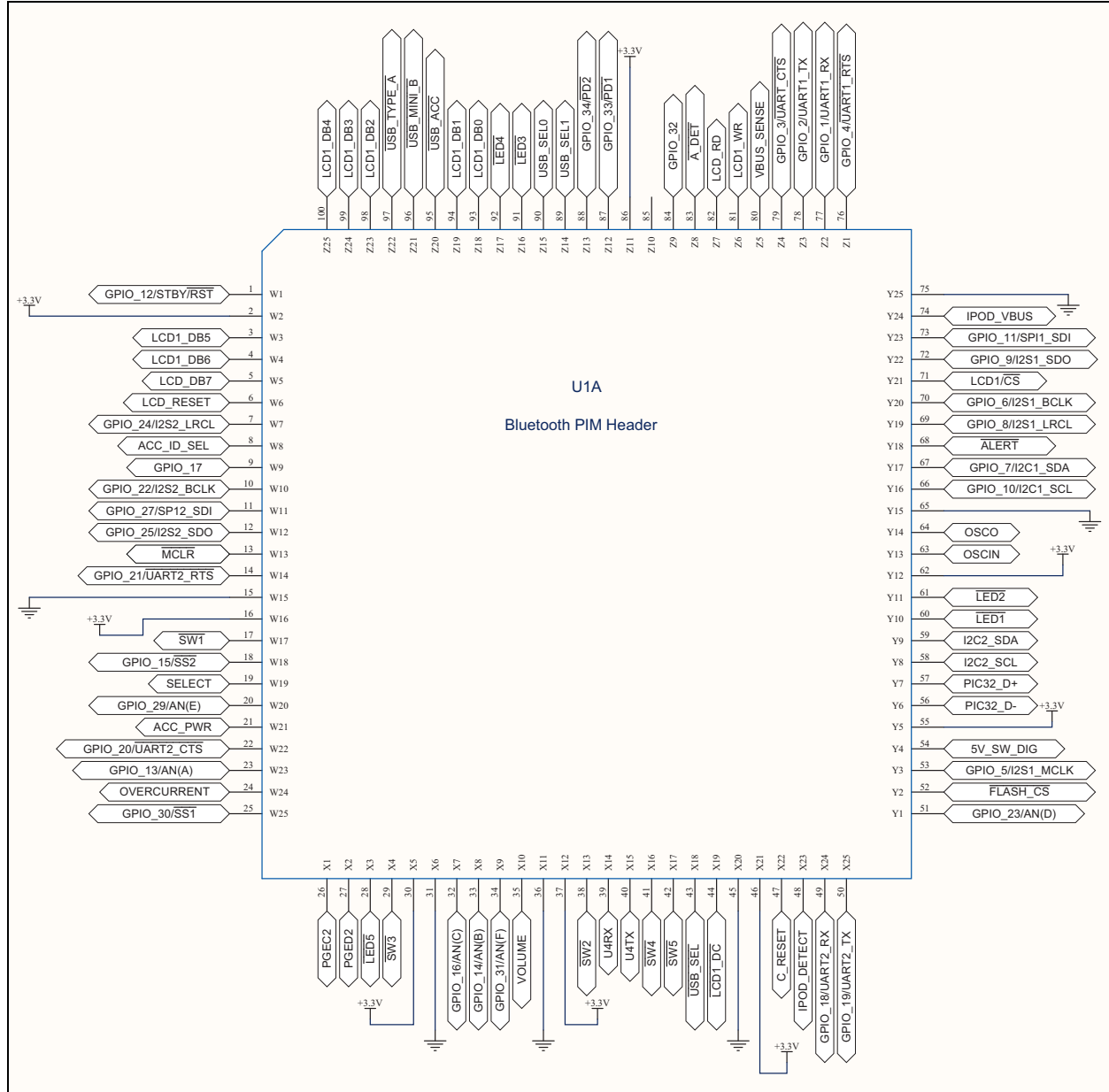
PIC32MZ2048ECH144, PIC32MZ2048EFH144

TABLE 1: 144-PIN DEVICE TO 100-PIN PIM MAPPING

Device Pin #	PIC32MZ EC/PIC32MZ EF Pin Name	PIM Pin #	PIC32 Bluetooth Audio Development Kit Port Name
120	ETXEN/RPD6/RD6	No Connect	No Connect
121	ETXCLK/RPD7/RD7	No Connect	No Connect
122	VDD	2, 16, 30, 37, 45, 55, 62, 86	VDD
123	VSS	15, 31, 36, 45, 65, 75	VSS
124	EBID11/RPF0/PMD11/RF0	No Connect	No Connect
125	EBID10/RPF1/PMD10/RF1	No Connect	No Connect
126	EBIA21/RK7	No Connect	No Connect
127	EBID9/RPG1/PMD9/RG1	No Connect	No Connect
128	EBID8/RPG0/PMD8/RG0	No Connect	No Connect
129	TRCLK/SQICLK/RA6	TH1	Not Applicable
130	TRD3/SQID3/RA7	TH9	Not Applicable
131	EBICS0/RJ4	No Connect	No Connect
132	EBICS1/RJ5	No Connect	No Connect
133	EBICS2/RJ6	No Connect	No Connect
134	EBICS3/RJ7	No Connect	No Connect
135	EBID0/PMD0/RE0	93	LCD1_DB0
136	VSS	15, 31, 36, 45, 65, 75	VSS
137	VDD	2, 16, 30, 37, 45, 55, 62, 86	VDD
138	EBID1/PMD1/RE1	94	LCD1_DB1
139	TRD2/SQID2/RG14	TH7	Not Applicable
140	TRD1/SQID1/RG12	TH5	Not Applicable
141	TRD0/DQID0/RG13	TH3	Not Applicable
142	EBID2/PMD2/RE2	98	LCD1_DB2
143	EBID3/RPE3/PMD3/RE3	99	LCD1_DB3
144	EBID4/AN18/PMD4/RE4	100	LCD1_DB4

PIC32MZ2048ECH144, PIC32MZ2048EFH144

FIGURE 1: 100-PIN PIM SOCKET SCHEMATIC



PIC32MZ2048ECH144, PIC32MZ2048EFH144

FIGURE 2: 144-PIN PIM DEVICE SCHEMATIC

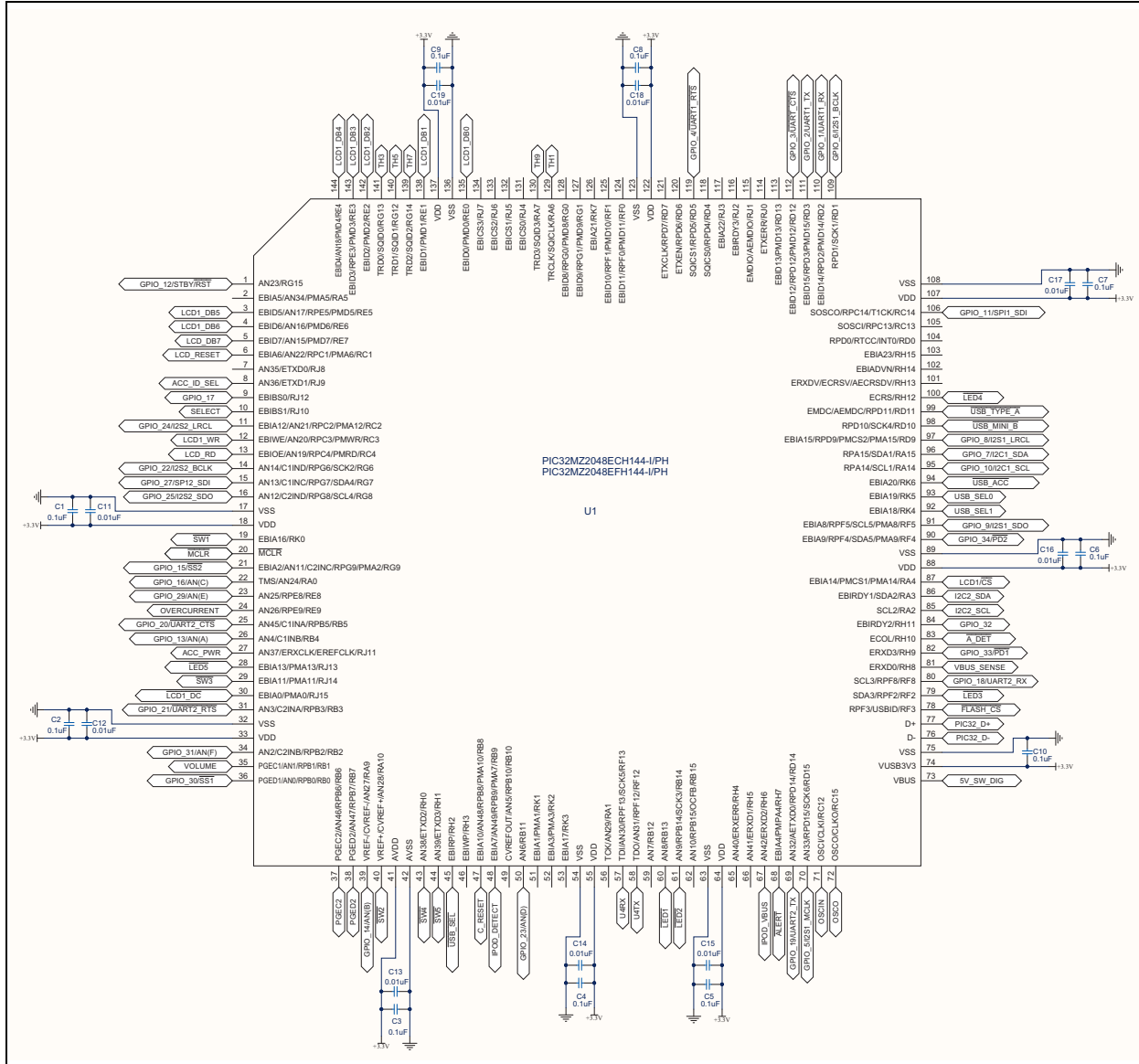
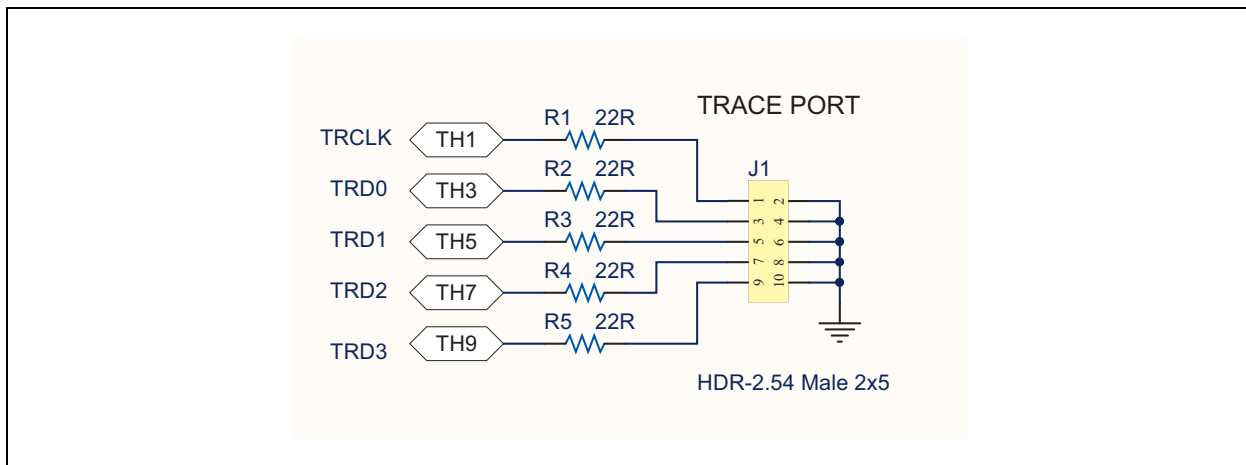


FIGURE 3: TRACE PORT SCHEMATIC



PIC32MZ2048ECH144, PIC32MZ2048EFH144

REVISION HISTORY

Revision A (May 2015)

This is the initial released version of this document.

PIC32MZ2048ECH144, PIC32MZ2048EFH144

NOTES:

Note the following details of the code protection feature on Microchip devices:

- Microchip products meet the specification contained in their particular Microchip Data Sheet.
- Microchip believes that its family of products is one of the most secure families of its kind on the market today, when used in the intended manner and under normal conditions.
- There are dishonest and possibly illegal methods used to breach the code protection feature. All of these methods, to our knowledge, require using the Microchip products in a manner outside the operating specifications contained in Microchip's Data Sheets. Most likely, the person doing so is engaged in theft of intellectual property.
- Microchip is willing to work with the customer who is concerned about the integrity of their code.
- Neither Microchip nor any other semiconductor manufacturer can guarantee the security of their code. Code protection does not mean that we are guaranteeing the product as “unbreakable.”

Code protection is constantly evolving. We at Microchip are committed to continuously improving the code protection features of our products. Attempts to break Microchip's code protection feature may be a violation of the Digital Millennium Copyright Act. If such acts allow unauthorized access to your software or other copyrighted work, you may have a right to sue for relief under that Act.

Information contained in this publication regarding device applications and the like is provided only for your convenience and may be superseded by updates. It is your responsibility to ensure that your application meets with your specifications. MICROCHIP MAKES NO REPRESENTATIONS OR WARRANTIES OF ANY KIND WHETHER EXPRESS OR IMPLIED, WRITTEN OR ORAL, STATUTORY OR OTHERWISE, RELATED TO THE INFORMATION, INCLUDING BUT NOT LIMITED TO ITS CONDITION, QUALITY, PERFORMANCE, MERCHANTABILITY OR FITNESS FOR PURPOSE. Microchip disclaims all liability arising from this information and its use. Use of Microchip devices in life support and/or safety applications is entirely at the buyer's risk, and the buyer agrees to defend, indemnify and hold harmless Microchip from any and all damages, claims, suits, or expenses resulting from such use. No licenses are conveyed, implicitly or otherwise, under any Microchip intellectual property rights.

Trademarks

The Microchip name and logo, the Microchip logo, dsPIC, FlashFlex, flexPWR, JukeBlox, KEELOQ, KEELOQ logo, Klear, LANCheck, MediaLB, MOST, MOST logo, MPLAB, OptoLyzer, PIC, PICSTART, PIC³² logo, RightTouch, SpyNIC, SST, SST Logo, SuperFlash and UNI/O are registered trademarks of Microchip Technology Incorporated in the U.S.A. and other countries.

The Embedded Control Solutions Company and mTouch are registered trademarks of Microchip Technology Incorporated in the U.S.A.

Analog-for-the-Digital Age, BodyCom, chipKIT, chipKIT logo, CodeGuard, dsPICDEM, dsPICDEM.net, ECAN, In-Circuit Serial Programming, ICSP, Inter-Chip Connectivity, KlearNet, KlearNet logo, MiWi, MPASM, MPF, MPLAB Certified logo, MPLIB, MPLINK, MultiTRAK, NetDetach, Omniscient Code Generation, PICDEM, PICDEM.net, PICkit, PICtail, RightTouch logo, REAL ICE, SQI, Serial Quad I/O, Total Endurance, TSHARC, USBCheck, VariSense, ViewSpan, WiperLock, Wireless DNA, and ZENA are trademarks of Microchip Technology Incorporated in the U.S.A. and other countries.

SQTP is a service mark of Microchip Technology Incorporated in the U.S.A.

Silicon Storage Technology is a registered trademark of Microchip Technology Inc. in other countries.

GestIC is a registered trademarks of Microchip Technology Germany II GmbH & Co. KG, a subsidiary of Microchip Technology Inc., in other countries.

All other trademarks mentioned herein are property of their respective companies.

© 2015, Microchip Technology Incorporated, Printed in the U.S.A., All Rights Reserved.

ISBN: 978-1-63277-363-0

QUALITY MANAGEMENT SYSTEM
CERTIFIED BY DNV
== ISO/TS 16949 ==

Microchip received ISO/TS-16949:2009 certification for its worldwide headquarters, design and wafer fabrication facilities in Chandler and Tempe, Arizona; Gresham, Oregon and design centers in California and India. The Company's quality system processes and procedures are for its PIC[®] MCUs and dsPIC[®] DSCs, KEELOQ[®] code hopping devices, Serial EEPROMs, microperipherals, nonvolatile memory and analog products. In addition, Microchip's quality system for the design and manufacture of development systems is ISO 9001:2000 certified.



MICROCHIP

Worldwide Sales and Service

AMERICAS

Corporate Office
2355 West Chandler Blvd.
Chandler, AZ 85224-6199
Tel: 480-792-7200
Fax: 480-792-7277
Technical Support:
<http://www.microchip.com/support>
Web Address:
www.microchip.com

Atlanta
Duluth, GA
Tel: 678-957-9614
Fax: 678-957-1455

Austin, TX
Tel: 512-257-3370

Boston
Westborough, MA
Tel: 774-760-0087
Fax: 774-760-0088

Chicago
Itasca, IL
Tel: 630-285-0071
Fax: 630-285-0075

Cleveland
Independence, OH
Tel: 216-447-0464
Fax: 216-447-0643

Dallas
Addison, TX
Tel: 972-818-7423
Fax: 972-818-2924

Detroit
Novi, MI
Tel: 248-848-4000

Houston, TX
Tel: 281-894-5983

Indianapolis
Noblesville, IN
Tel: 317-773-8323
Fax: 317-773-5453

Los Angeles
Mission Viejo, CA
Tel: 949-462-9523
Fax: 949-462-9608

New York, NY
Tel: 631-435-6000

San Jose, CA
Tel: 408-735-9110

Canada - Toronto
Tel: 905-673-0699
Fax: 905-673-6509

ASIA/PACIFIC

Asia Pacific Office
Suites 3707-14, 37th Floor
Tower 6, The Gateway
Harbour City, Kowloon
Hong Kong
Tel: 852-2943-5100
Fax: 852-2401-3431

Australia - Sydney
Tel: 61-2-9868-6733
Fax: 61-2-9868-6755

China - Beijing
Tel: 86-10-8569-7000
Fax: 86-10-8528-2104

China - Chengdu
Tel: 86-28-8665-5511
Fax: 86-28-8665-7889

China - Chongqing
Tel: 86-23-8980-9588
Fax: 86-23-8980-9500

China - Dongguan
Tel: 86-769-8702-9880

China - Hangzhou
Tel: 86-571-8792-8115
Fax: 86-571-8792-8116

China - Hong Kong SAR
Tel: 852-2943-5100
Fax: 852-2401-3431

China - Nanjing
Tel: 86-25-8473-2460
Fax: 86-25-8473-2470

China - Qingdao
Tel: 86-532-8502-7355
Fax: 86-532-8502-7205

China - Shanghai
Tel: 86-21-5407-5533
Fax: 86-21-5407-5066

China - Shenyang
Tel: 86-24-2334-2829
Fax: 86-24-2334-2393

China - Shenzhen
Tel: 86-755-8864-2200
Fax: 86-755-8203-1760

China - Wuhan
Tel: 86-27-5980-5300
Fax: 86-27-5980-5118

China - Xian
Tel: 86-29-8833-7252
Fax: 86-29-8833-7256

ASIA/PACIFIC

China - Xiamen
Tel: 86-592-2388138
Fax: 86-592-2388130

China - Zhuhai
Tel: 86-756-3210040
Fax: 86-756-3210049

India - Bangalore
Tel: 91-80-3090-4444
Fax: 91-80-3090-4123

India - New Delhi
Tel: 91-11-4160-8631
Fax: 91-11-4160-8632

India - Pune
Tel: 91-20-3019-1500

Japan - Osaka
Tel: 81-6-6152-7160
Fax: 81-6-6152-9310

Japan - Tokyo
Tel: 81-3-6880-3770
Fax: 81-3-6880-3771

Korea - Daegu
Tel: 82-53-744-4301
Fax: 82-53-744-4302

Korea - Seoul
Tel: 82-2-554-7200
Fax: 82-2-558-5932 or
82-2-558-5934

Malaysia - Kuala Lumpur
Tel: 60-3-6201-9857
Fax: 60-3-6201-9859

Malaysia - Penang
Tel: 60-4-227-8870
Fax: 60-4-227-4068

Philippines - Manila
Tel: 63-2-634-9065
Fax: 63-2-634-9069

Singapore
Tel: 65-6334-8870
Fax: 65-6334-8850

Taiwan - Hsin Chu
Tel: 886-3-5778-366
Fax: 886-3-5770-955

Taiwan - Kaohsiung
Tel: 886-7-213-7828

Taiwan - Taipei
Tel: 886-2-2508-8600
Fax: 886-2-2508-0102

Thailand - Bangkok
Tel: 66-2-694-1351
Fax: 66-2-694-1350

EUROPE

Austria - Wels
Tel: 43-7242-2244-39
Fax: 43-7242-2244-393

Denmark - Copenhagen
Tel: 45-4450-2828
Fax: 45-4485-2829

France - Paris
Tel: 33-1-69-53-63-20
Fax: 33-1-69-30-90-79

Germany - Dusseldorf
Tel: 49-2129-3766400

Germany - Munich
Tel: 49-89-627-144-0
Fax: 49-89-627-144-44

Germany - Pforzheim
Tel: 49-7231-424750

Italy - Milan
Tel: 39-0331-742611
Fax: 39-0331-466781

Italy - Venice
Tel: 39-049-7625286

Netherlands - Drunen
Tel: 31-416-690399
Fax: 31-416-690340

Poland - Warsaw
Tel: 48-22-3325737

Spain - Madrid
Tel: 34-91-708-08-90
Fax: 34-91-708-08-91

Sweden - Stockholm
Tel: 46-8-5090-4654

UK - Wokingham
Tel: 44-118-921-5800
Fax: 44-118-921-5820

01/27/15

Mouser Electronics

Authorized Distributor

Click to View Pricing, Inventory, Delivery & Lifecycle Information:

[Microchip:](#)

[MA320018](#)