

# Customer Information Sheet

DRAWING No.: M80-305 TO M80-307

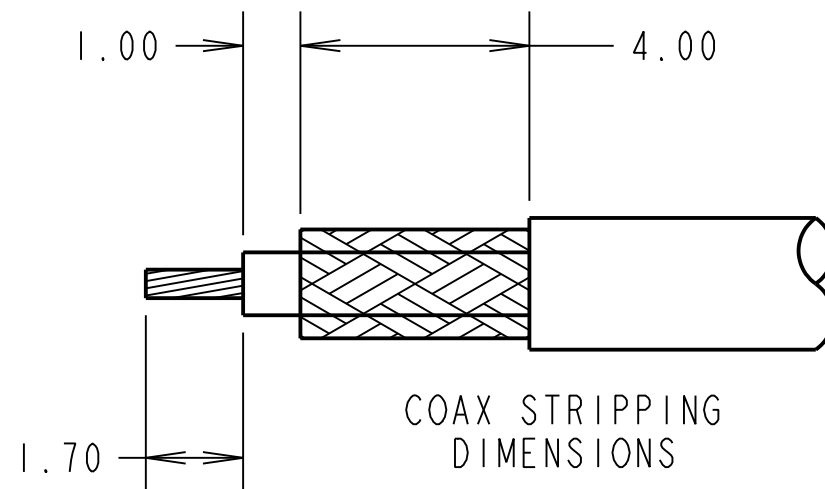
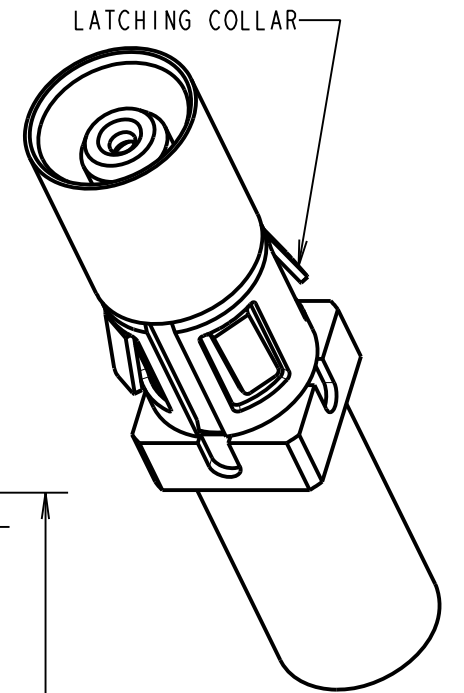
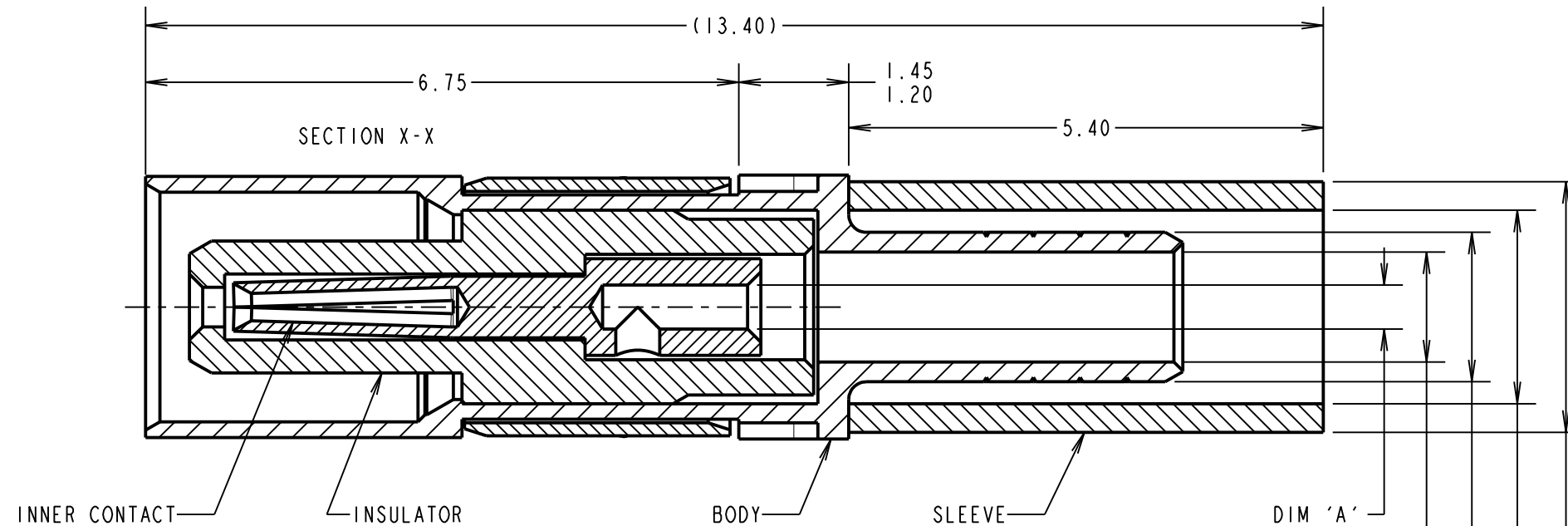
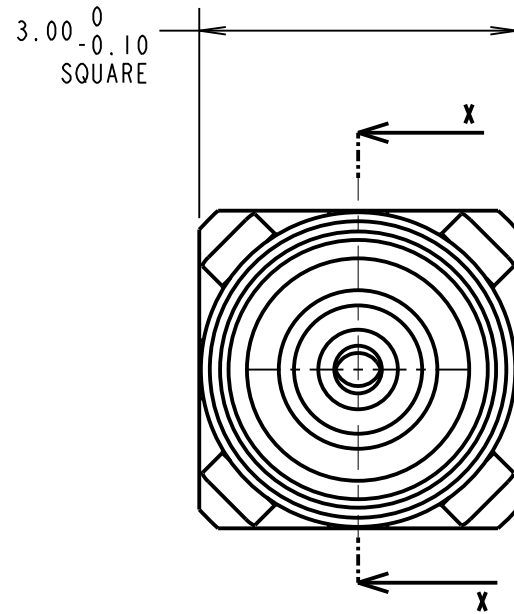
IF IN DOUBT - ASK

©

NOT TO SCALE

THIRD ANGLE PROJECTION

ALL DIMENSIONS IN mm



- NOTES:
- CONNECTOR COMES SUPPLIED AS A KIT OF PARTS: BODY, INSULATOR, AND LATCHING COLLAR ARE PRE-ASSEMBLED, SLEEVE AND INNER CONTACT ARE SEPARATE.
  - RECOMMENDED HAND CRIMP TOOL FOR INNER CONTACT = Z80-292 WITH POSITIONER Z80-291. RECOMMENDED HAND CRIMP TOOL AND DIE SET FOR SLEEVE = Z80-293.
  - CONTACT EXTRACTION TOOL = Z80-290
  - FOR FULL SPECIFICATION SEE COMPONENT SPECIFICATION C005XX (LATEST ISSUE).

PART No.	CABLE DIAMETER (TYPE)	DIM 'A'	DIM 'B'	DIM 'C'	DIM 'D'	DIM 'E'
M80-305	∅ 2.0mm (RG178)	∅ 0.50 ± 0.05	∅ 1.25	∅ 1.70	∅ 2.20	∅ 2.85
M80-306	∅ 2.4mm (PTFE CELLULAR)	∅ 0.35 + 0.05 / - 0	∅ 1.25	∅ 1.70	∅ 2.70	∅ 3.20
M80-307	∅ 2.7mm (RG174, 179, 316)	∅ 0.60 + 0.06 / - 0	∅ 1.75	∅ 2.35	∅ 2.85	∅ 3.50

RA	8	02.06.21	30568
NAME	ISS.	DATE	CN/CO
APPROVED: R. ALEXANDER			
CHECKED: M. RUDKIN			
DRAWN: W. J. BOURNE			
CUSTOMER REF.:			
ASSEMBLY DRG:			

**HARWIN**

www.harwin.com  
technical@harwin.com

THIS DRAWING AND ANY INFORMATION OR DESCRIPTIVE MATTER SET OUT HEREON ARE CONFIDENTIAL AND COPYRIGHT PROPERTY OF THE HARWIN GROUP AND MUST NOT BE DISCLOSED, LOANED, COPIED OR USED FOR MANUFACTURING, TENDERING OR FOR ANY OTHER PURPOSE WITHOUT THEIR WRITTEN PERMISSION.

TOLERANCES

X. = ± 1mm  
X.X = ± 0.50mm  
X.XX = ± 0.20mm  
X.XXX = ± 0.01mm  
ANGLES = ± 5°  
UNLESS STATED

MATERIAL:

COPPER ALLOY WITH PTFE INSULATOR

FINISH: GOLD, NICKEL COLLAR

S/AREA:

mm<sup>2</sup>

TITLE: DATAMATE MIX-TEK  
COAX CONTACT  
FEMALE STRAIGHT CRIMP

DRAWING NUMBER:

M80-305 TO M80-307

SHT  
2 OF 2

# Mouser Electronics

Authorized Distributor

Click to View Pricing, Inventory, Delivery & Lifecycle Information:

[Harwin:](#)

[M80-305](#) [M80-307](#)