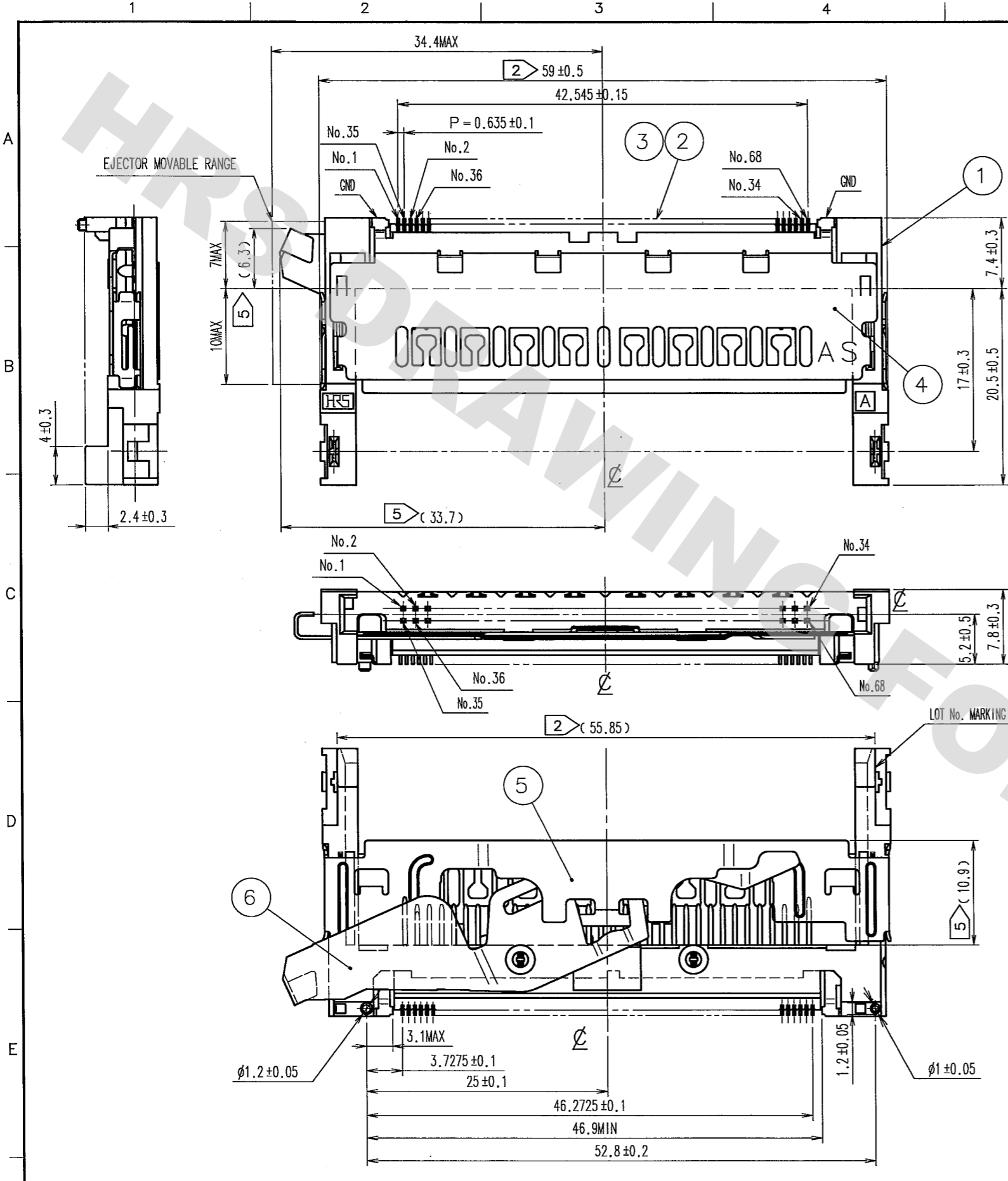
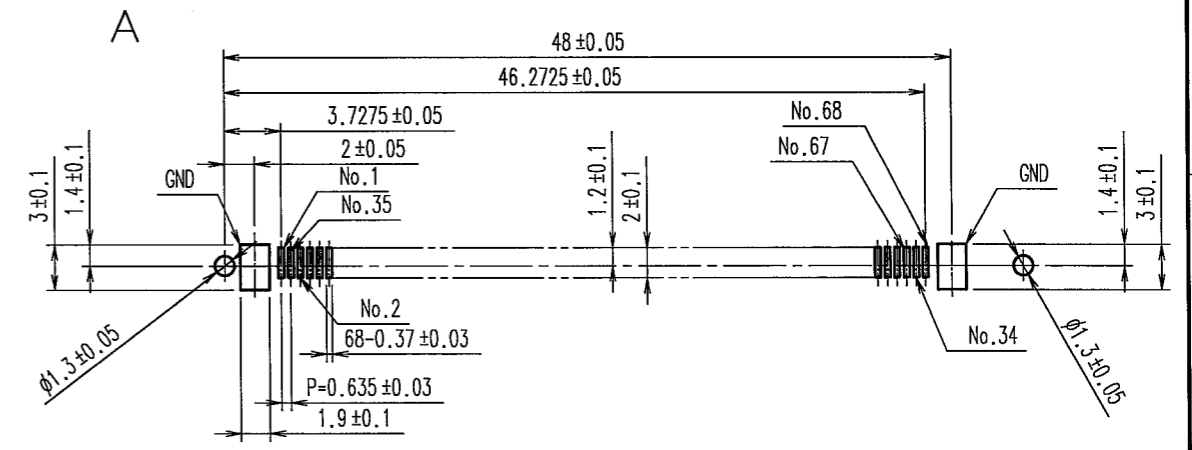


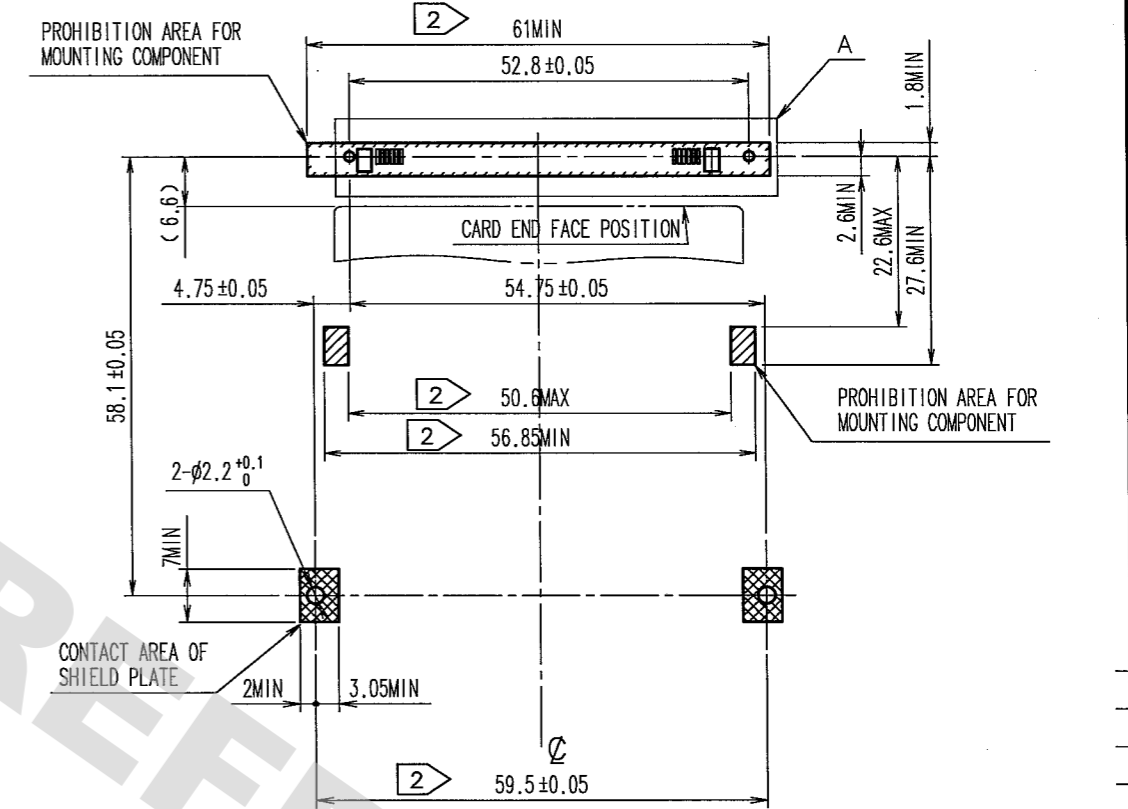
DRAWING FOR REFERENCE: This is subject to change without notice  
08/11/2012



COUNT	DESCRIPTION OF REVISIONS	BY	CHKD	DATE	COUNT	DESCRIPTION OF REVISIONS	BY	CHKD	DATE



LAND PATTERN DIMENSION OF PWB (ON MOUNTED SIDE) (1:1)



- NOTES
1. PC CARD INTERFACE DIMENSION CORRESPONDS TO PC Card Standard.
  2. THESE DIMENSIONS ARE SYMMETRICAL FOR THE CENTER LINE.
  3. THIS PRODUCT IS AVAILABLE IN COMBINATION WITH CARD-GUIDE UNIT,「IC11SA-BD-\*EJL\*」.
  4. CARD-GUIDE UNIT,「IC11SA-BD-\*EJL\*」 TO BE ASSEMBLED AFTER MOUNTING THIS PRODUCT.
  5. THESE (DIMENSIONS) ARE ON DELIVERY.  
BE SURE TO CHECK THAT THE FITTINGS ARE AT THE POSITION SHOWN ON ASSEMBLING.

2,3	BRASS	CONTACT AREA: Ni1.5μm+Au0.1μm DIP AREA: Ni1.5μm+Sn1μm	5,6	STAINLESS STEEL			
1	PPS	BLACK UL94V-0	4	COPPER ALLOY			
NO.	MATERIAL	FINISH, REMARKS	NO.	MATERIAL	FINISH, REMARKS		
CODE NO. (OLD)	CL		DRAWN	DESIGNED	CHECKED	APPROVED	RELEASED
			H. SAITOU	H. SAITOU	<i>S. Tomieka</i>	<i>K. Akujama</i>	
			05.06.14	05.06.14	05.06.15	05.06.15	
DRAWING NO.		PART NO.					
EDC3-152060-03		IC11SA-PL-SF-EJL(71)					
SCALE		CODE NO.					
2:1		CL640-1010-8-71					
UNITS		HRS					
mm		HIROSE ELECTRIC CO., LTD.					

TO

# Mouser Electronics

Authorized Distributor

Click to View Pricing, Inventory, Delivery & Lifecycle Information:

[Hirose Electric:](#)

[IC11SA-PL-SF-EJL\(71\)](#)